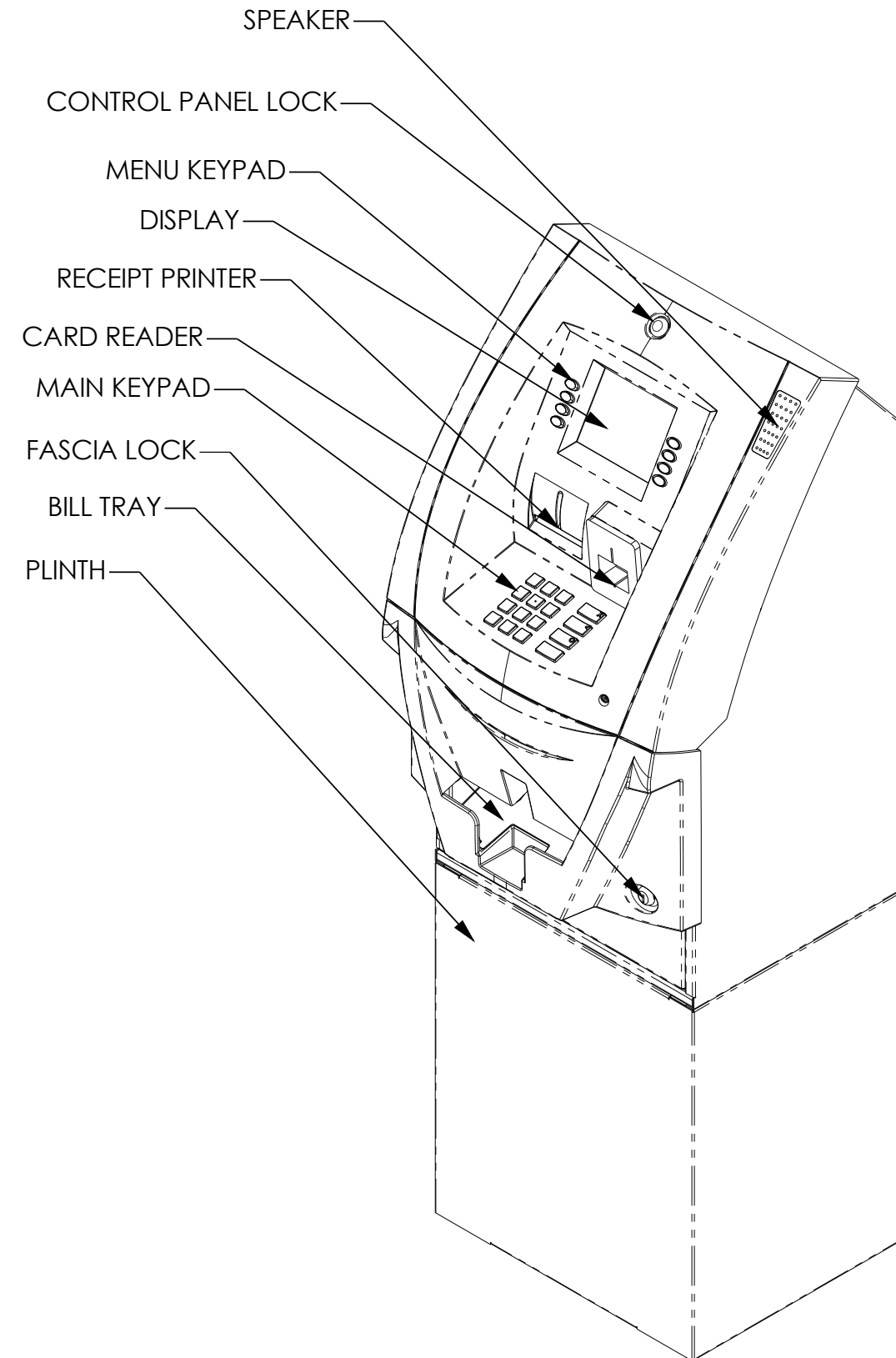
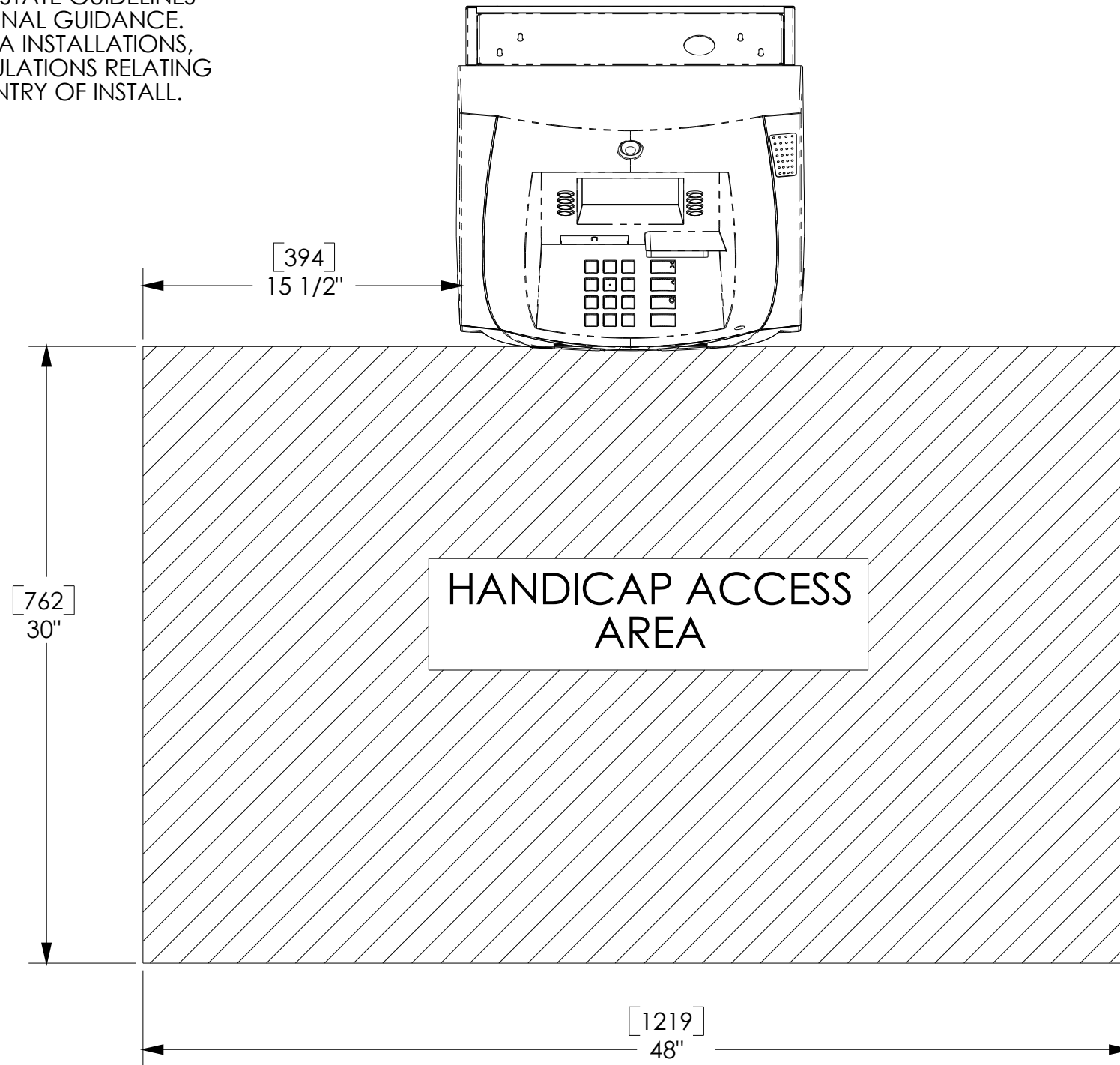




TRITON MODEL 8100 CASH DISPENSER

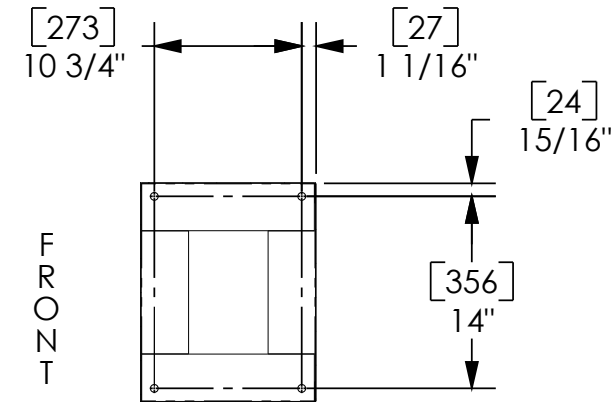
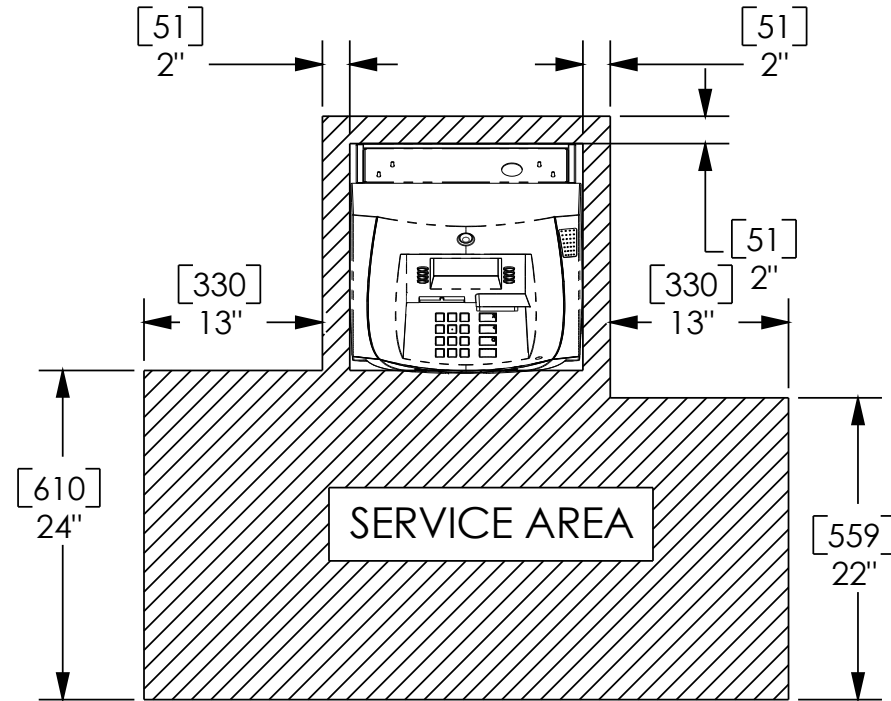
522 EAST RAILROAD STREET
LONG BEACH, MS 39560
PHONE: (228) 868-1317
FAX: (228) 868-0437

* DIMENSIONS LISTED COMPLY WITH
US FEDERAL ADA GUIDELINES.
FOR USA INSTALLATIONS, CHECK
LOCAL AND STATE GUIDELINES
FOR ADDITIONAL GUIDANCE.
FOR NON-USA INSTALLATIONS,
CHECK REGULATIONS RELATING
TO THE COUNTRY OF INSTALL.

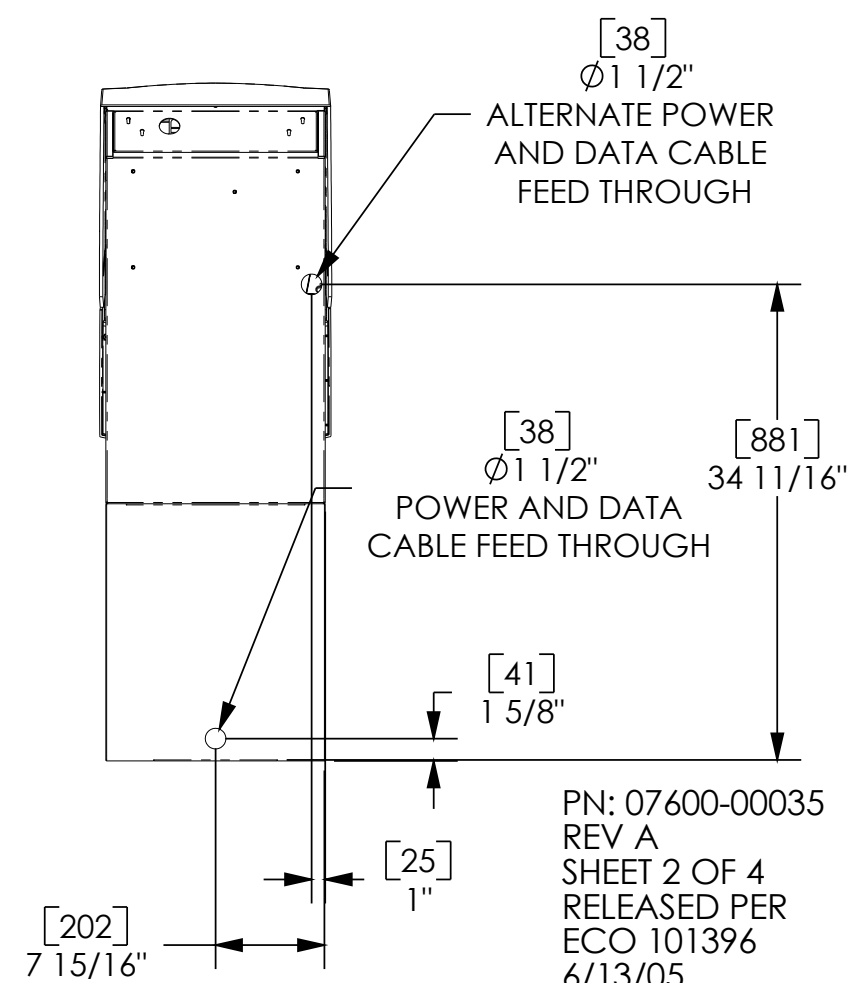
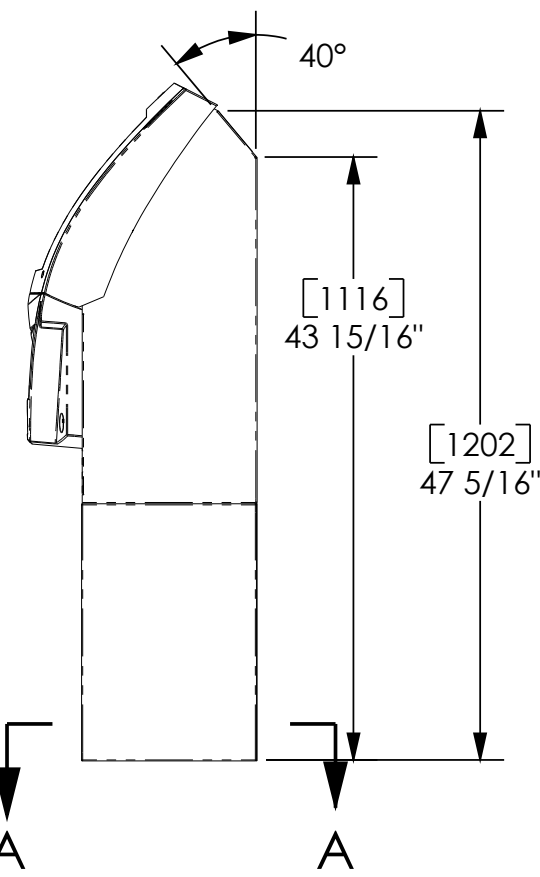
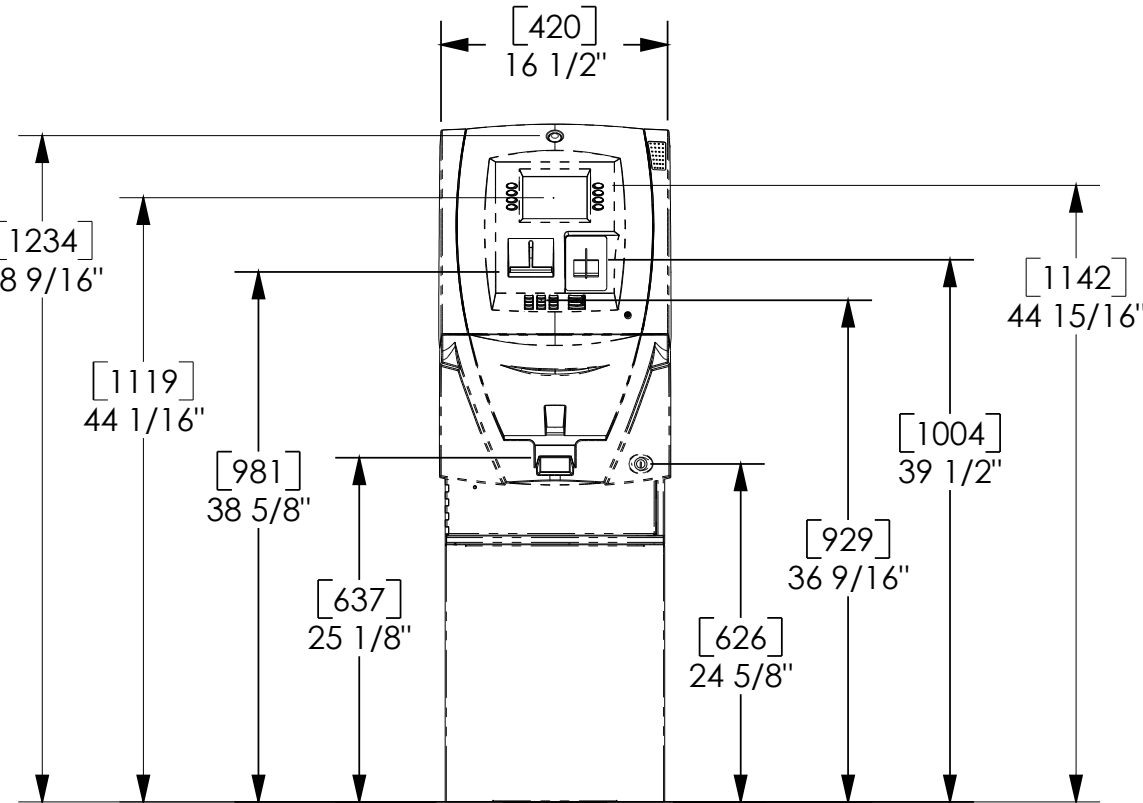
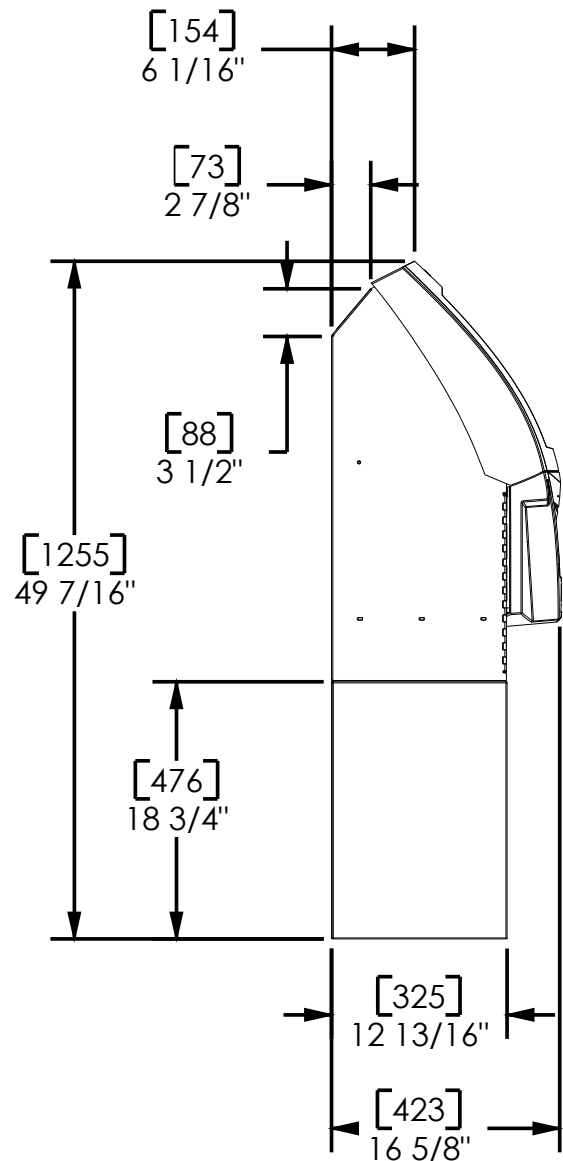


TRITON MODEL 8100 CASH DISPENSER

522 EAST RAILROAD STREET
 LONG BEACH, MS 39560
 PHONE: (228) 868-1317
 FAX: (228) 868-0437



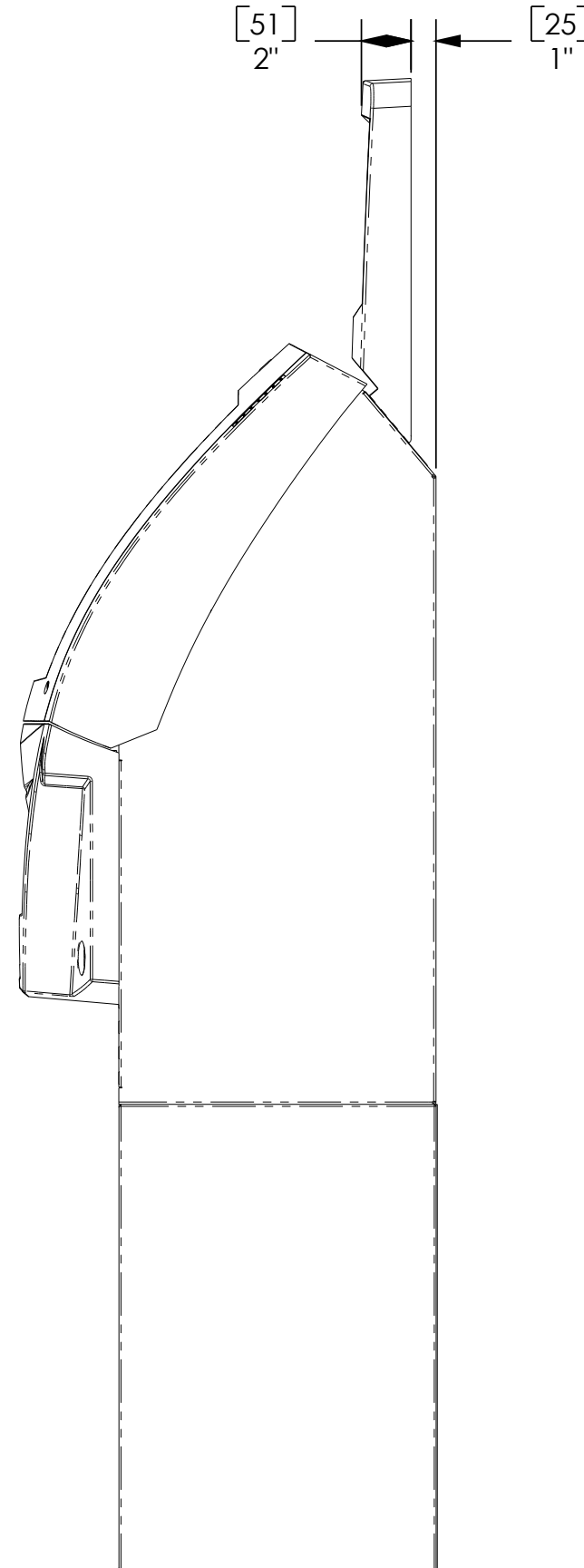
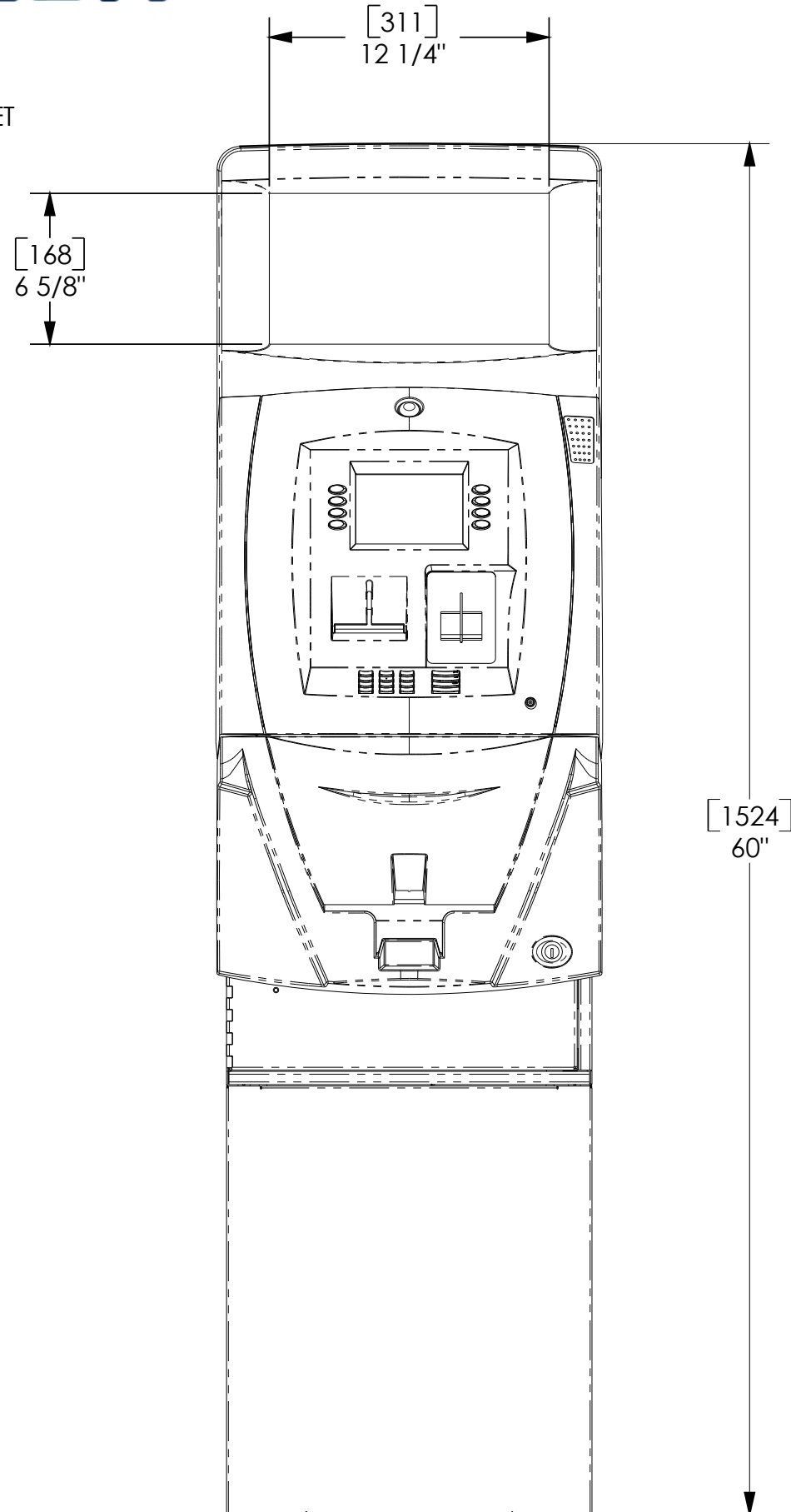
SECTION A-A
 ANCHOR DRILL TEMPLATE





TRITON MODEL 8100 CASH DISPENSER

522 EAST RAILROAD STREET
LONG BEACH, MS 39560
PHONE: (228) 868-1317
FAX: (228) 868-0437





TRITON MODEL 8100 CASH DISPENSER

522 EAST RAILROAD STREET
LONG BEACH, MS 39560
PHONE: (228) 868-1317
FAX: (228) 868-0437

