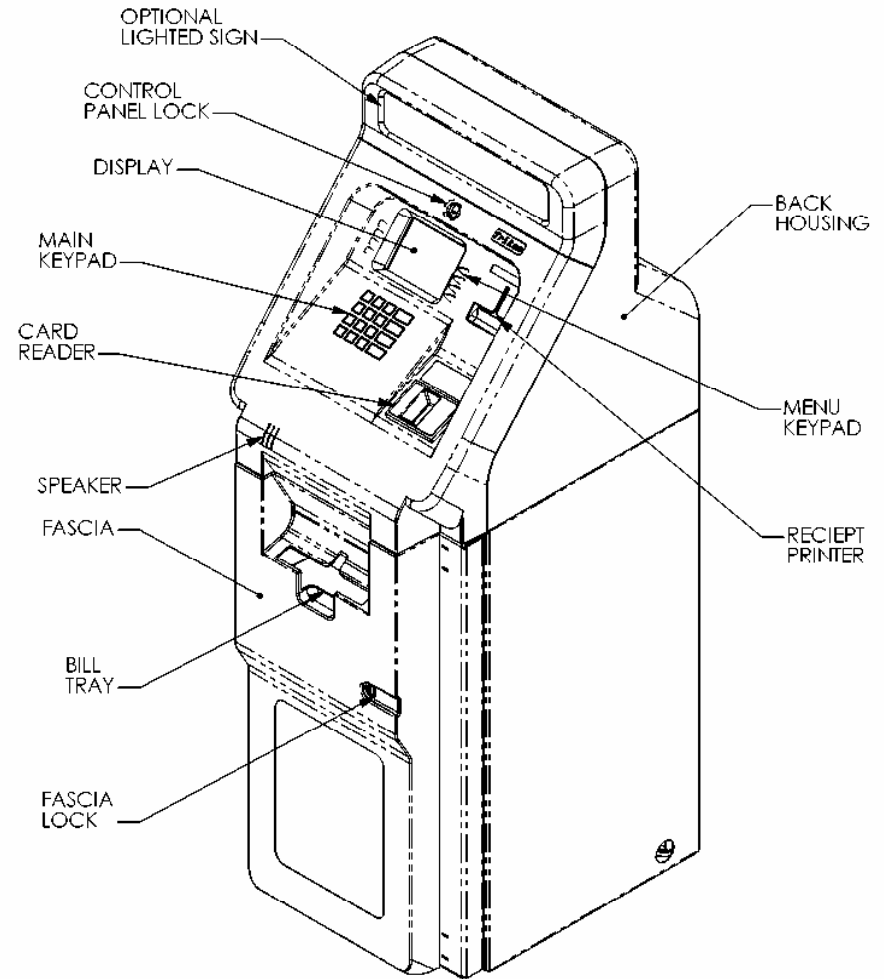
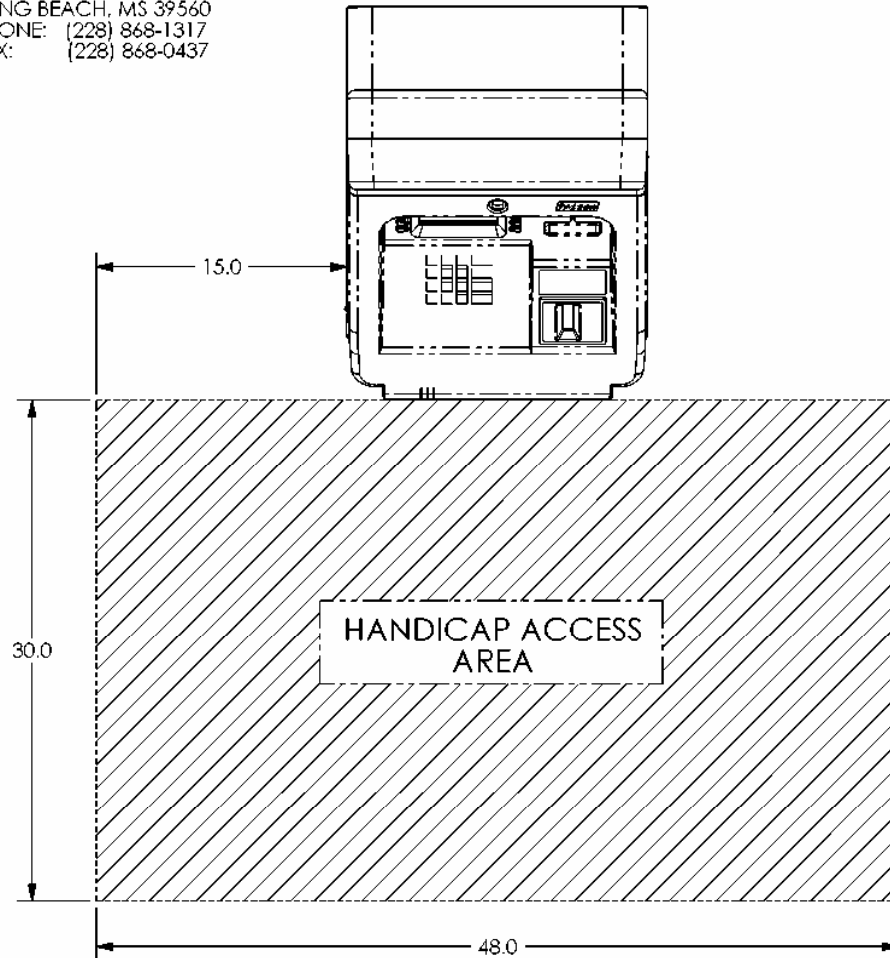


TRITON MODEL 9600/9650 REDUCED HEIGHT FRONT ACCESS CASH DISPENSER



A **DOVER** INDUSTRIES COMPANY

522 EAST RAILROAD STREET
LONG BEACH, MS 39560
PHONE: (228) 868-1317
FAX: (228) 868-0437

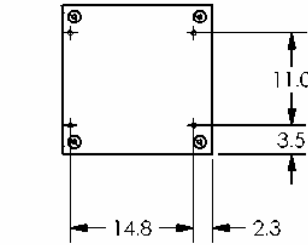
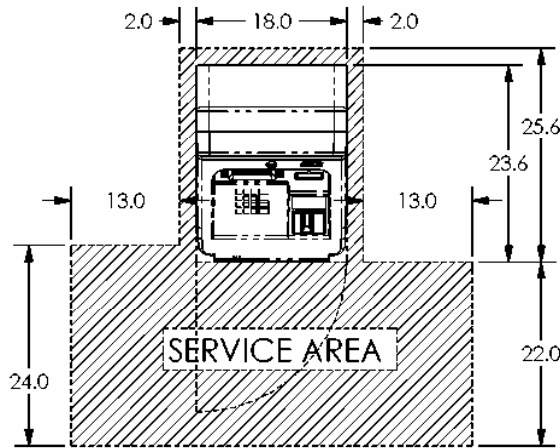


PN: 07600-00000
REV A
SHEET 1 OF 3
1/3/01

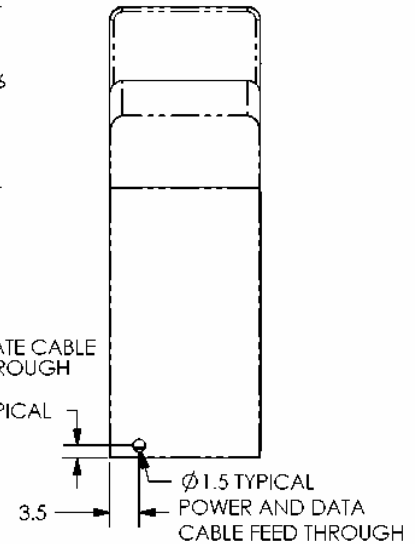
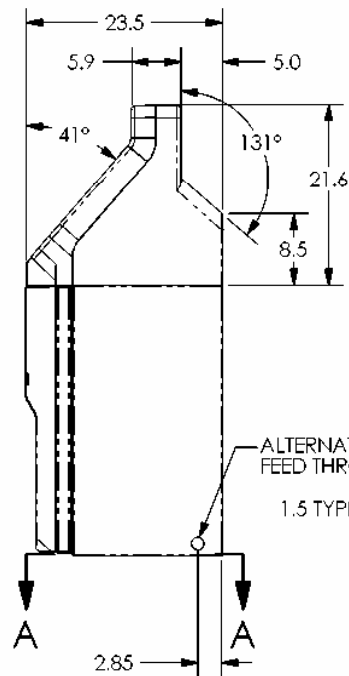
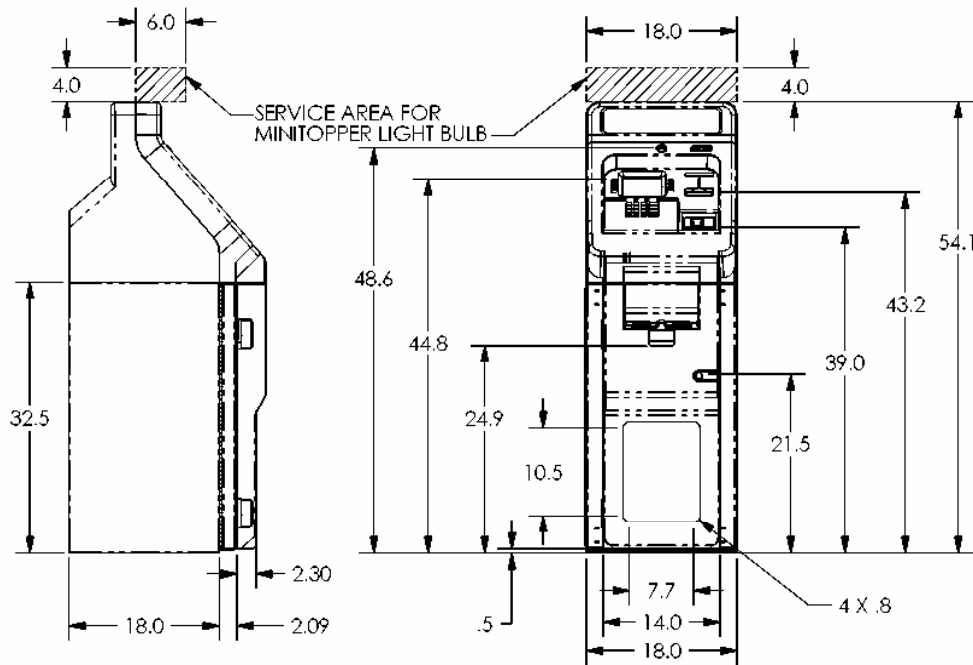
TRITON MODEL 9600/9650 REDUCED HEIGHT FRONT ACCESS CASH DISPENSER



522 EAST RAILROAD STREET
 LONG BEACH, MS 39560
 PHONE: (228) 868-1317
 FAX: (228) 868-0437



SECTION A-A
 ANCHOR HOLE PATTERN

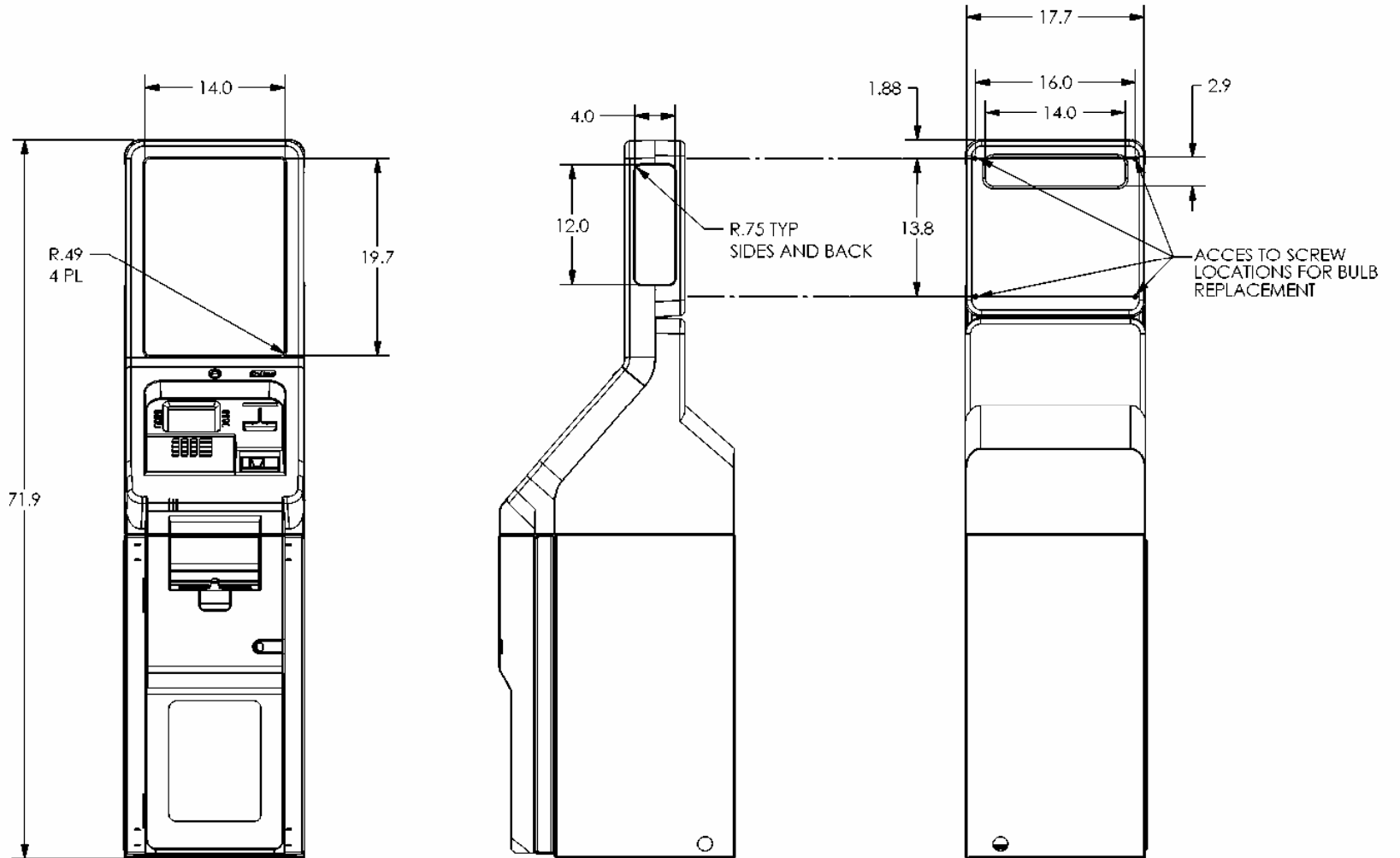


PN: 07600-00000
 REV A
 SHEET 2 OF 3
 1/3/01

TRITON MODEL 9600/9650 REDUCED HEIGHT FRONT ACCESS CASH DISPENSER WITH OPTIONAL HIGHTOPPER SIGN



522 EAST RAILROAD STREET
 LONG BEACH, MS 39560
 PHONE: (228) 868-1317
 FAX: (228) 868-0437



PN: 07600-00000
 REV A
 SHEET 3 OF 3
 1/3/01