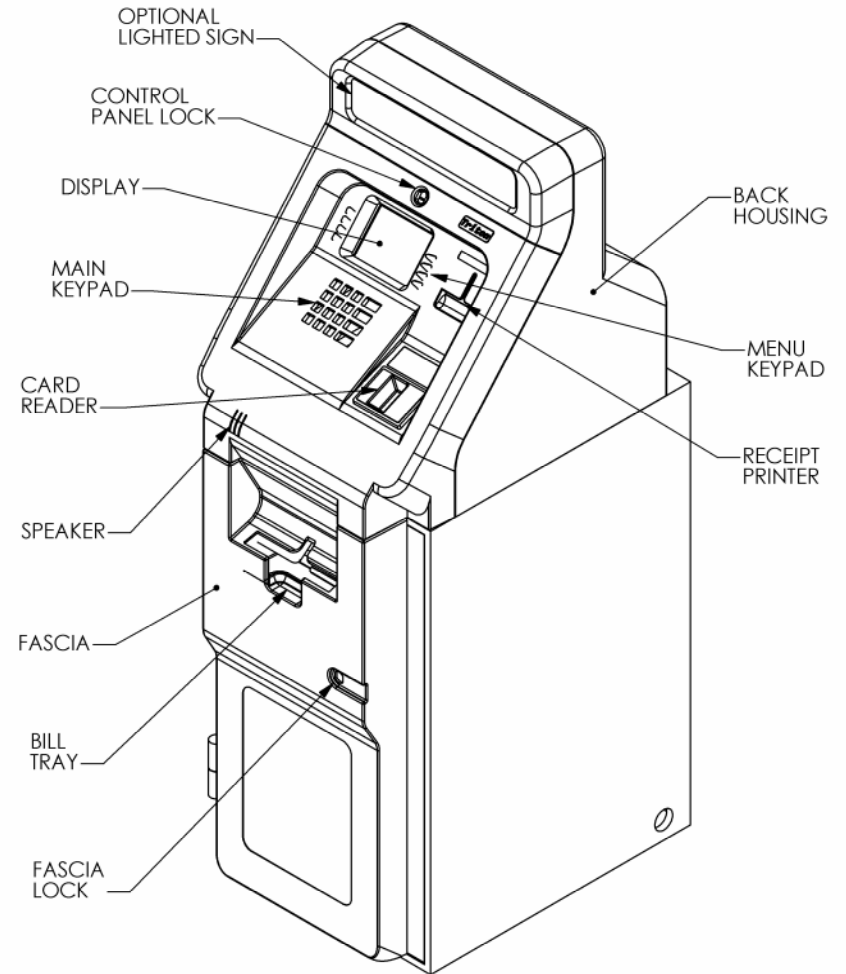
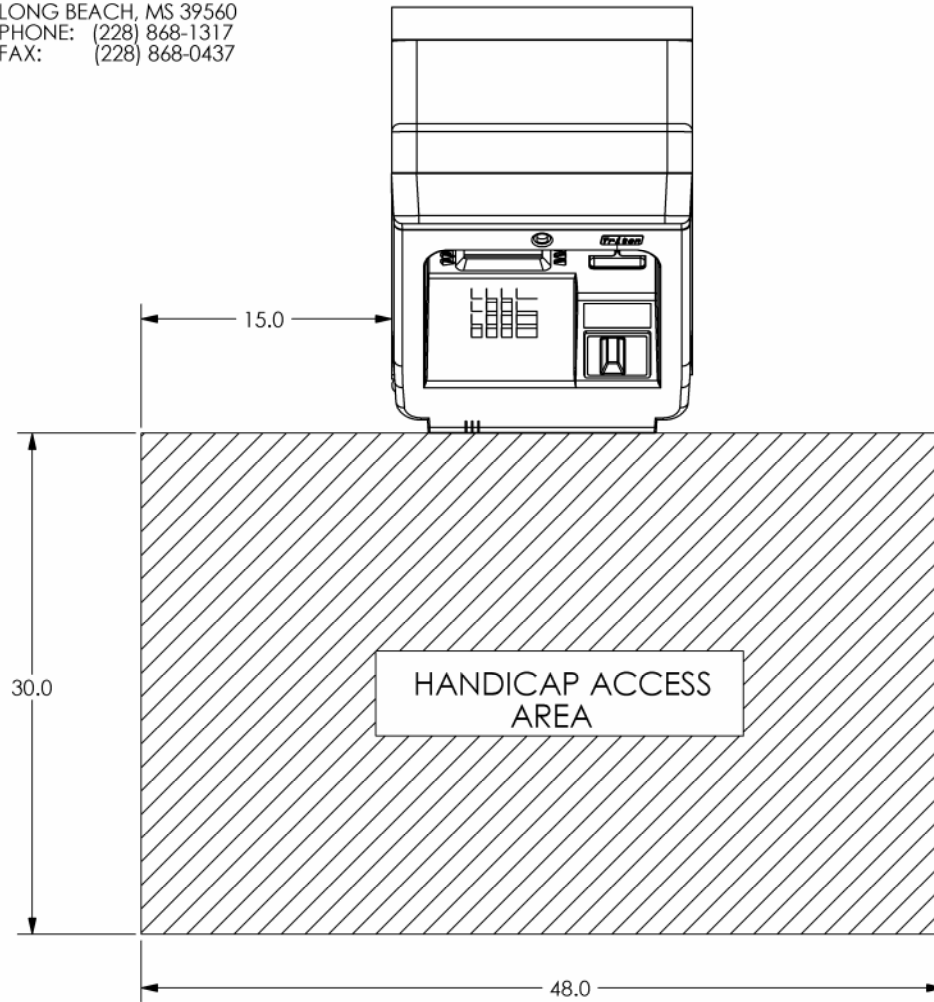


# TRITON MODEL 9620/9670 REDUCED HEIGHT FRONT ACCESS CASH DISPENSER



A DOVER INDUSTRIES COMPANY

522 EAST RAILROAD STREET  
LONG BEACH, MS 39560  
PHONE: (228) 868-1317  
FAX: (228) 868-0437

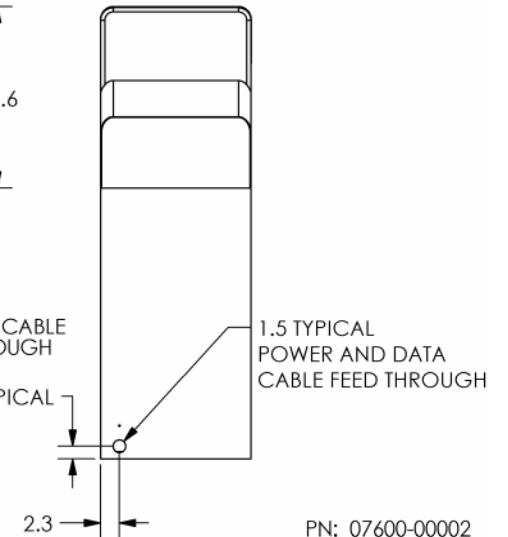
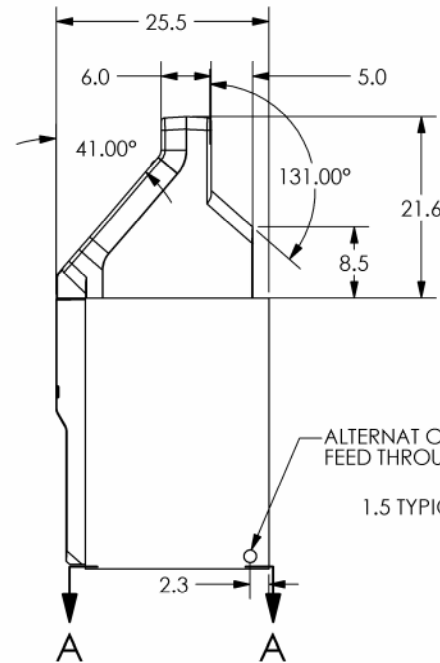
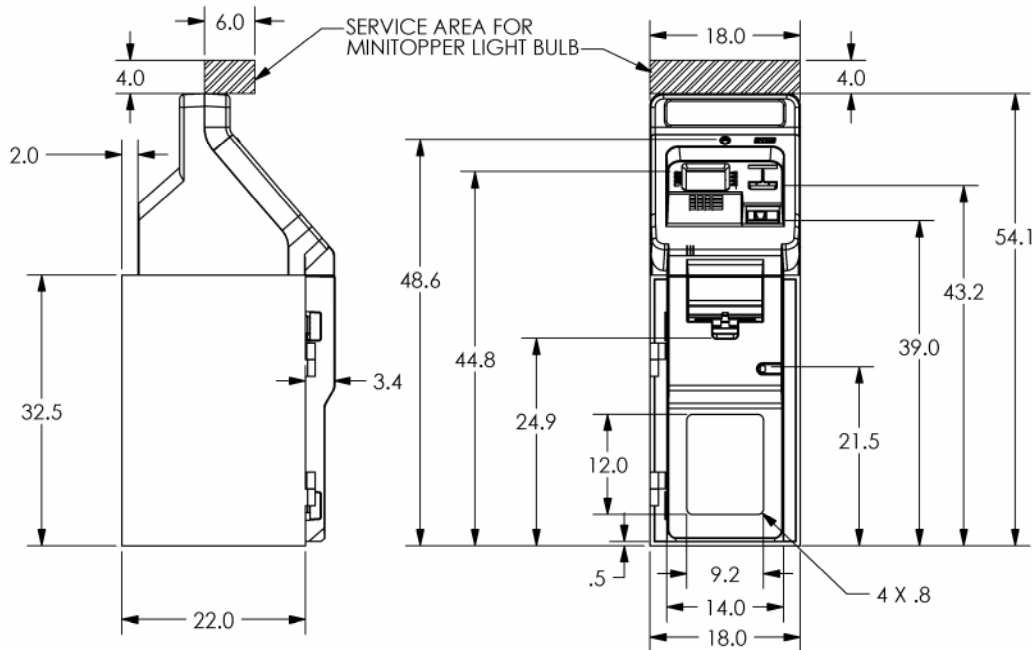
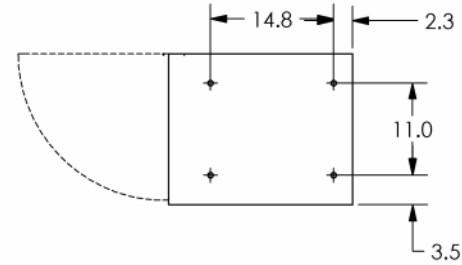
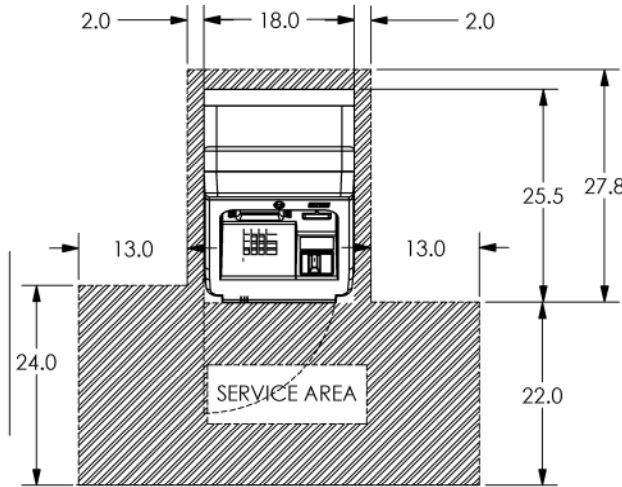


PN: 07600-00002  
REV A  
SHEET 1 OF 3  
1/3/01

# TRITON MODEL 9620/9670 REDUCED HEIGHT FRONT ACCESS CASH DISPENSER



522 EAST RAILROAD STREET  
LONG BEACH, MS 39560  
PHONE: (228) 868-1317  
FAX: (228) 868-0437



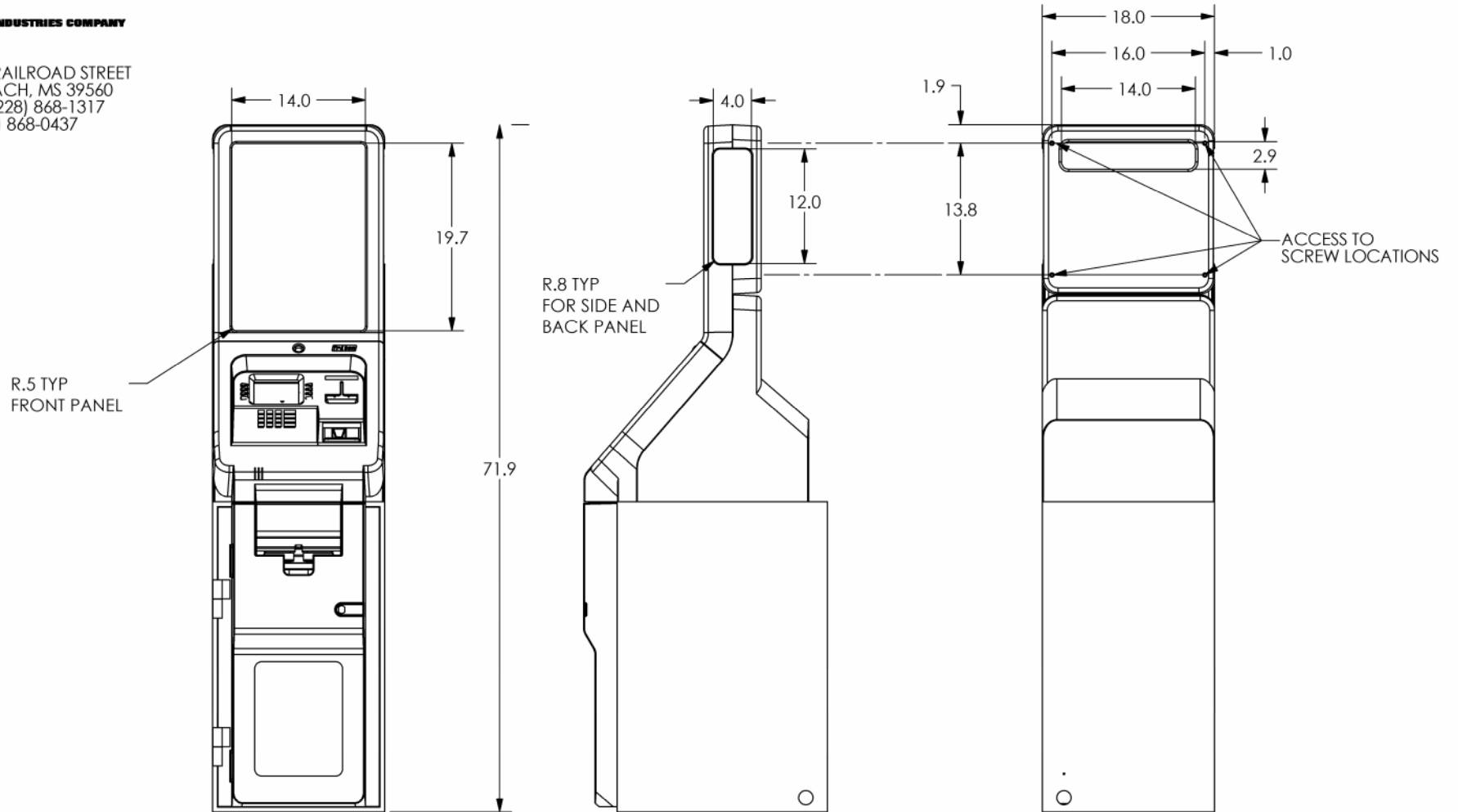
PN: 07600-00002  
REV A  
SHEET 2 OF 3  
1/5/01

TRITON MODEL 9620/9670 REDUCED HEIGHT FRONT ACCESS CASH DISPENSER WITH OPTIONAL HIGHTOPPER SIGN



A DOVER INDUSTRIES COMPANY

522 EAST RAILROAD STREET  
LONG BEACH, MS 39560  
PHONE: (228) 868-1317  
FAX: (228) 868-0437



PN: 07600-00002  
REV A  
SHEET 3 OF 3  
1/5/01