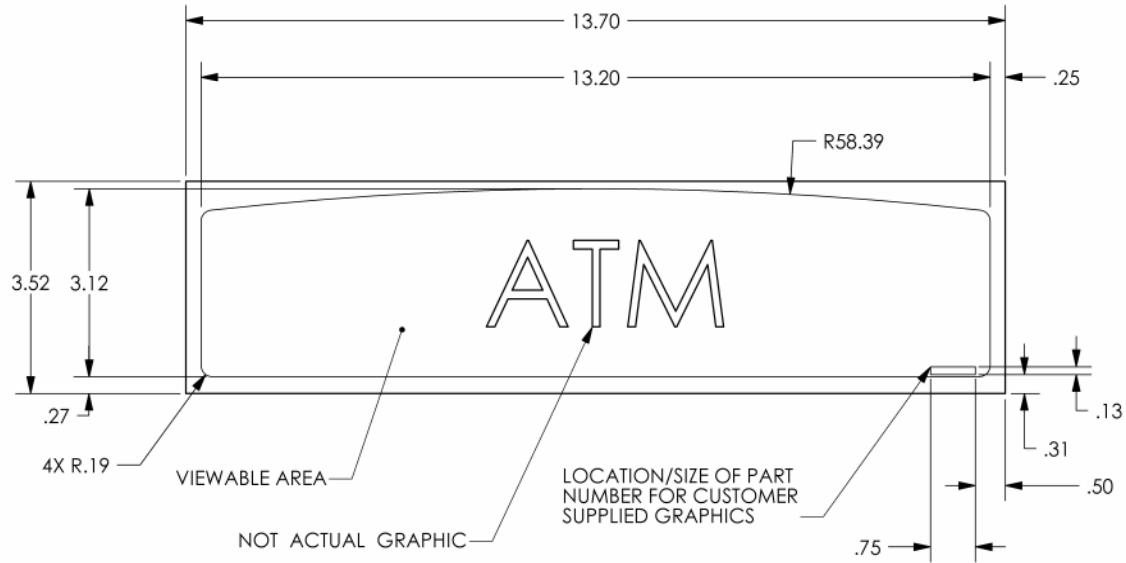


THE INFORMATION CONTAINED IN THIS DRAWING IS THE SOLE PROPERTY OF TRITON SYSTEMS, INC. ANY REPRODUCTION IN PART OR WHOLE WITHOUT THE WRITTEN PERMISSION OF TRITON SYSTEMS, INC. IS PROHIBITED.




DWG. NO. 03012-00029

REVISIONS			
REV.	DESCRIPTION	DATE	APPROVED
A	DRAWING RELEASED PER ECO 99373; REPLACES PRELIMINARY #2	1/17/02	MAK



- NOTES:
- MATERIAL: .020 RIGID VINYL CLEAR
  - GRAPHIC TO BE PRINTED ON ONE SIDE
  - ORIENTATION AS SHOWN.
  - UNLESS OTHERWISE STATED, GRAPHICS SIDE SURFACES ARE CLASS 1, OPPOSITE SIDE CLASS 3, PER THE TRITON UNIVERSAL VISUAL ACCEPTANCE CRITERIA.

NEXT ASSY	USED ON
APPLICATION	

PART NO.	PART OR IDENTIFYING NO.	NOMENCLATURE OR DESCRIPTION	MATERIAL SPECIFICATION	QTY REQD
PARTS LIST				
UNLESS OTHERWISE SPECIFIED DIMENSIONS ARE IN INCHES		CAD GENERATED DRAWING. DO NOT MANUALLY UPDATE		
TOLERANCES ARE:		APPROVALS	DATE	 <p><b>Triton</b> A DOVER INDUSTRIES COMPANY</p>
FRACTIONS	DECIMALS	ANGLES		
.XX ± .01	± 1"		05/31/01	
.XXX ± .005		CHECKED		9400 REAR AD PANEL
MATERIAL		S. HOELZEL		
FINISH		RESP ENG		DWG. NO. 03012-00029 REV. A SCALE 1:2 CAD FILE: 03012-00029 RA.3LDDRW SHEET 1 OF 1
APPLICATION		S. HOELZEL		
DO NOT SCALE DRAWING		MFG ENG		
		QUAL ENG		