

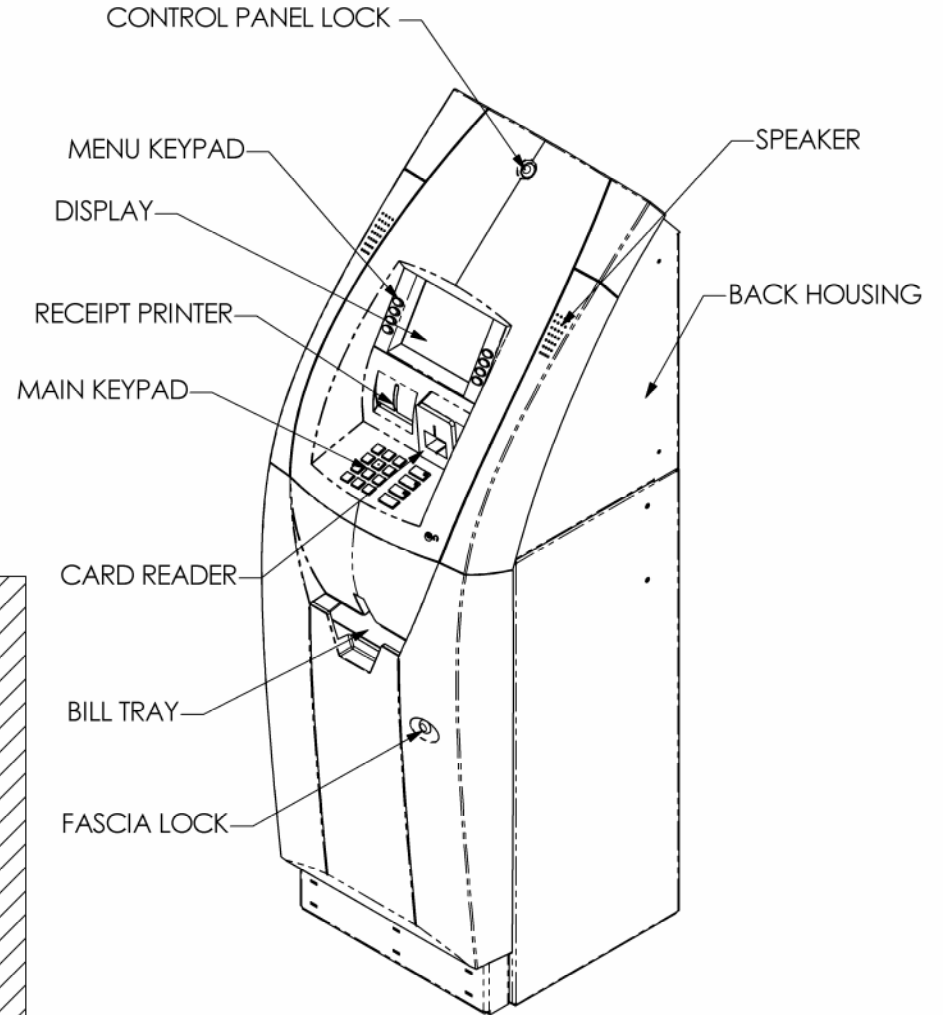
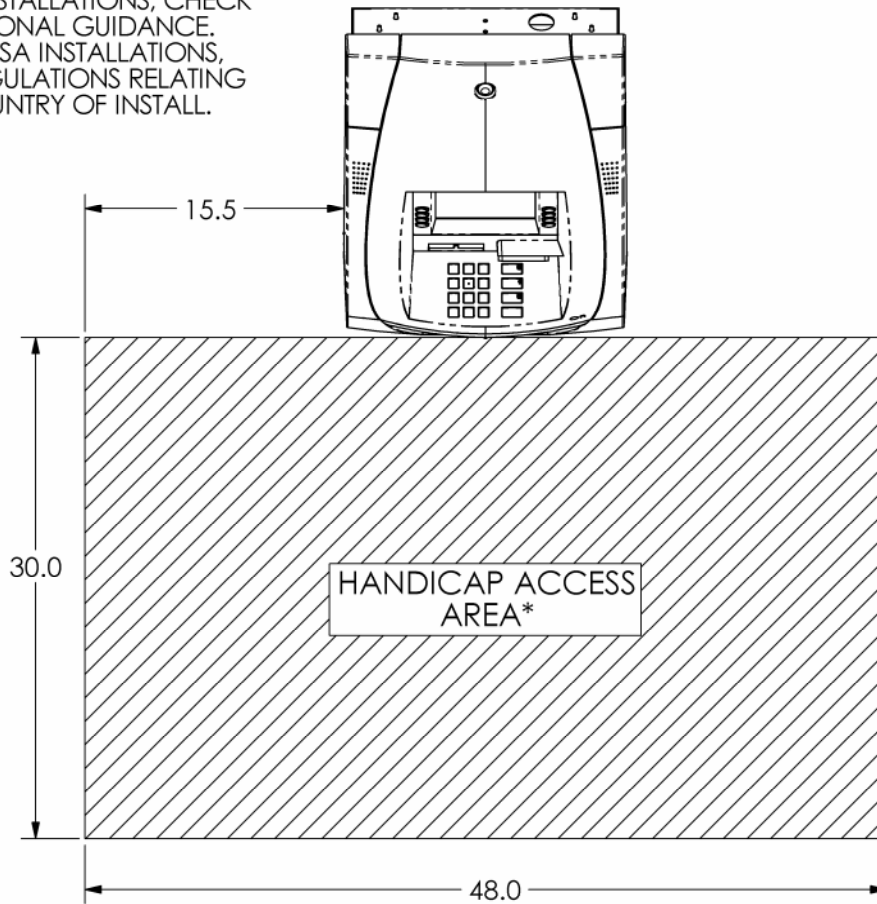


A DOVER INDUSTRIES COMPANY

522 EAST RAILROAD STREET
LONG BEACH, MS 39560
PHONE: (228) 868-1317
FAX: (228) 868-0437

TRITON MODEL 9710/9705 CASH DISPENSER

* DIMENSIONS LISTED COMPLY WITH US FEDERAL ADA GUIDELINES, FOR USA INSTALLATIONS, CHECK FOR ADDITIONAL GUIDANCE. FOR NON-USA INSTALLATIONS, CHECK REGULATIONS RELATING TO THE COUNTRY OF INSTALL.



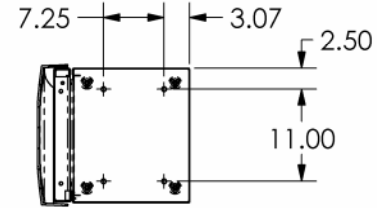
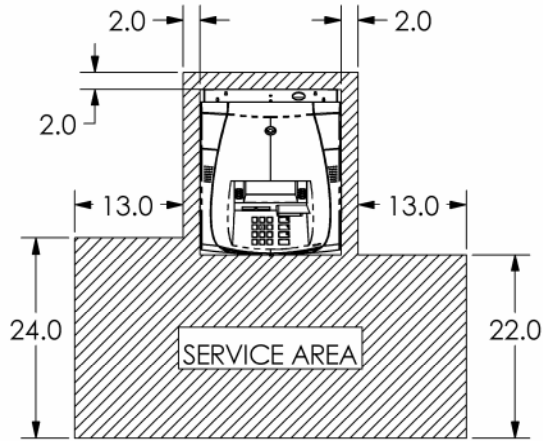
PN: 07600-00008
REV C
SHEET 1 OF 4
4/8/01



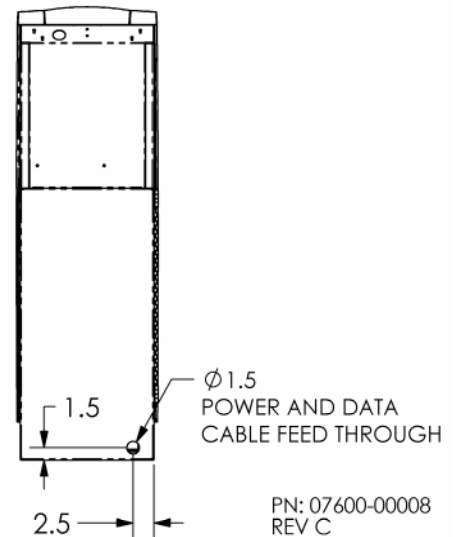
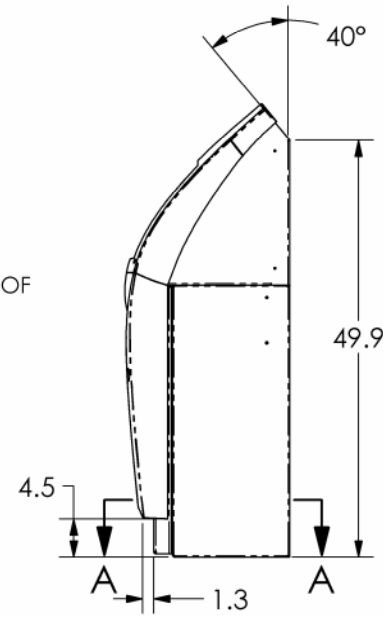
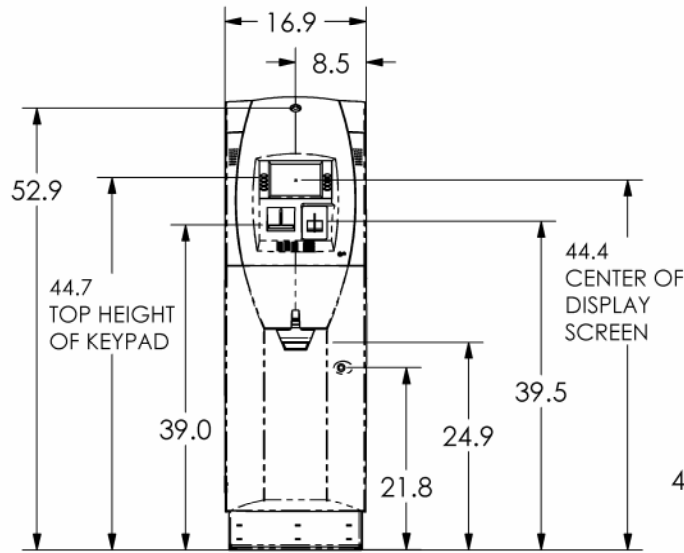
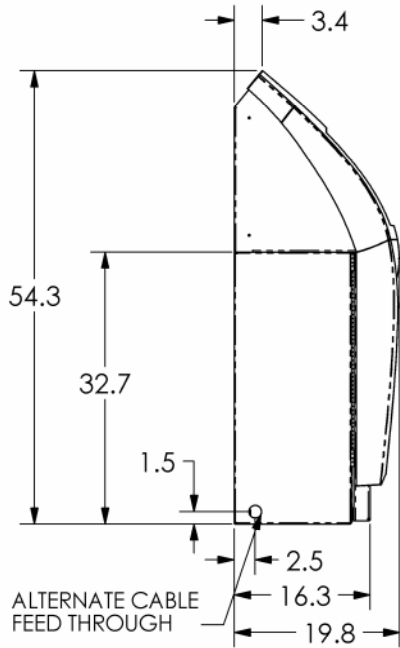
A DOVER INDUSTRIES COMPANY

522 EAST RAILROAD STREET
LONG BEACH, MS 39560
PHONE: (228) 868-1317
FAX: (228) 868-0437

TRITON MODEL 9710/9705 CASH DISPENSER



SECTION A-A
ANCHOR DRILL TEMPLATE



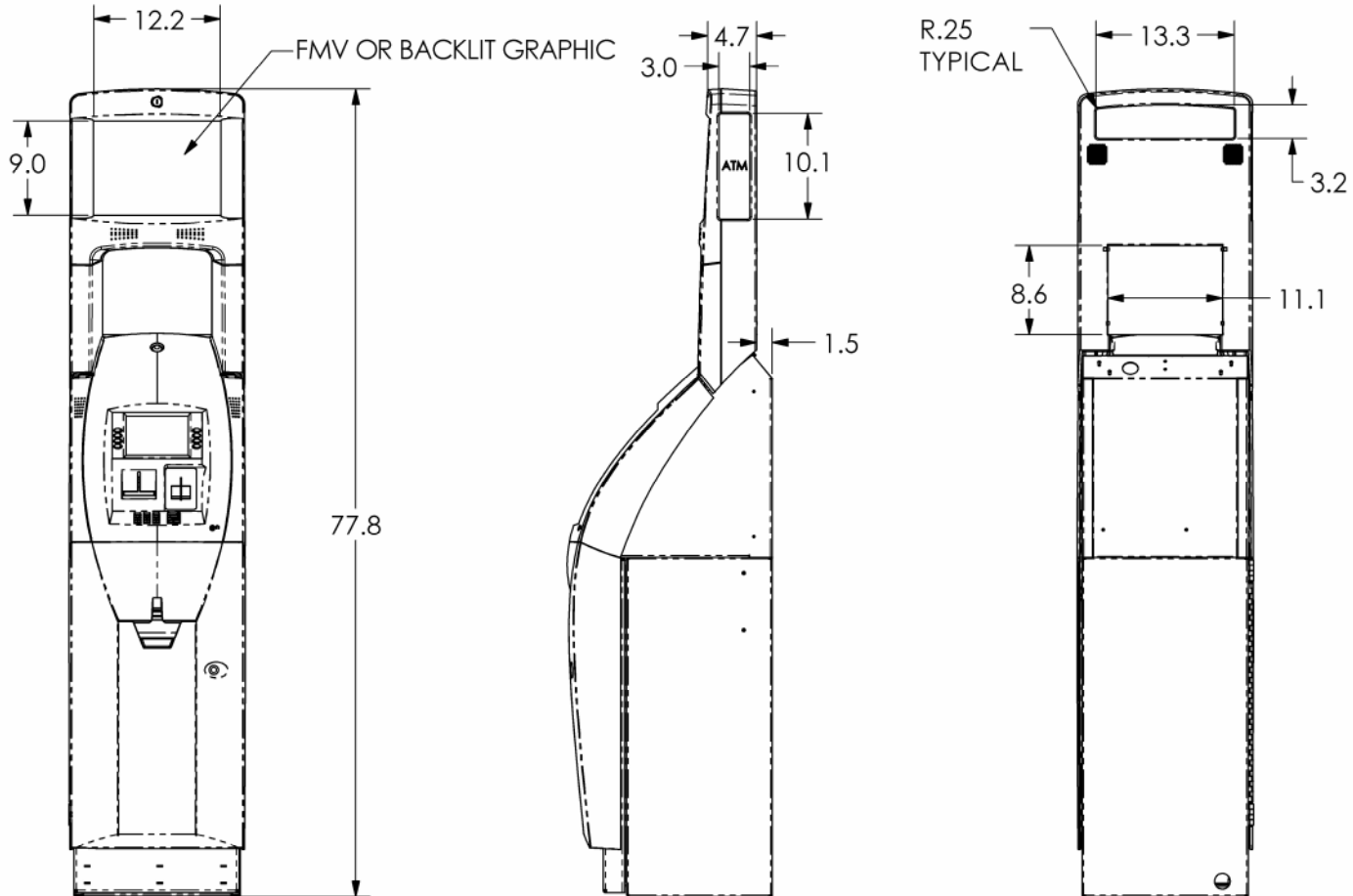
PN: 07600-00008
REV C
SHEET 2 OF 4
4/8/01



A DOVER INDUSTRIES COMPANY

522 EAST RAILROAD STREET
LONG BEACH, MS 39560
PHONE: (228) 868-1317
FAX: (228) 868-0437

9710/9705 CASH DISPENSER WITH HIGHTOPPER



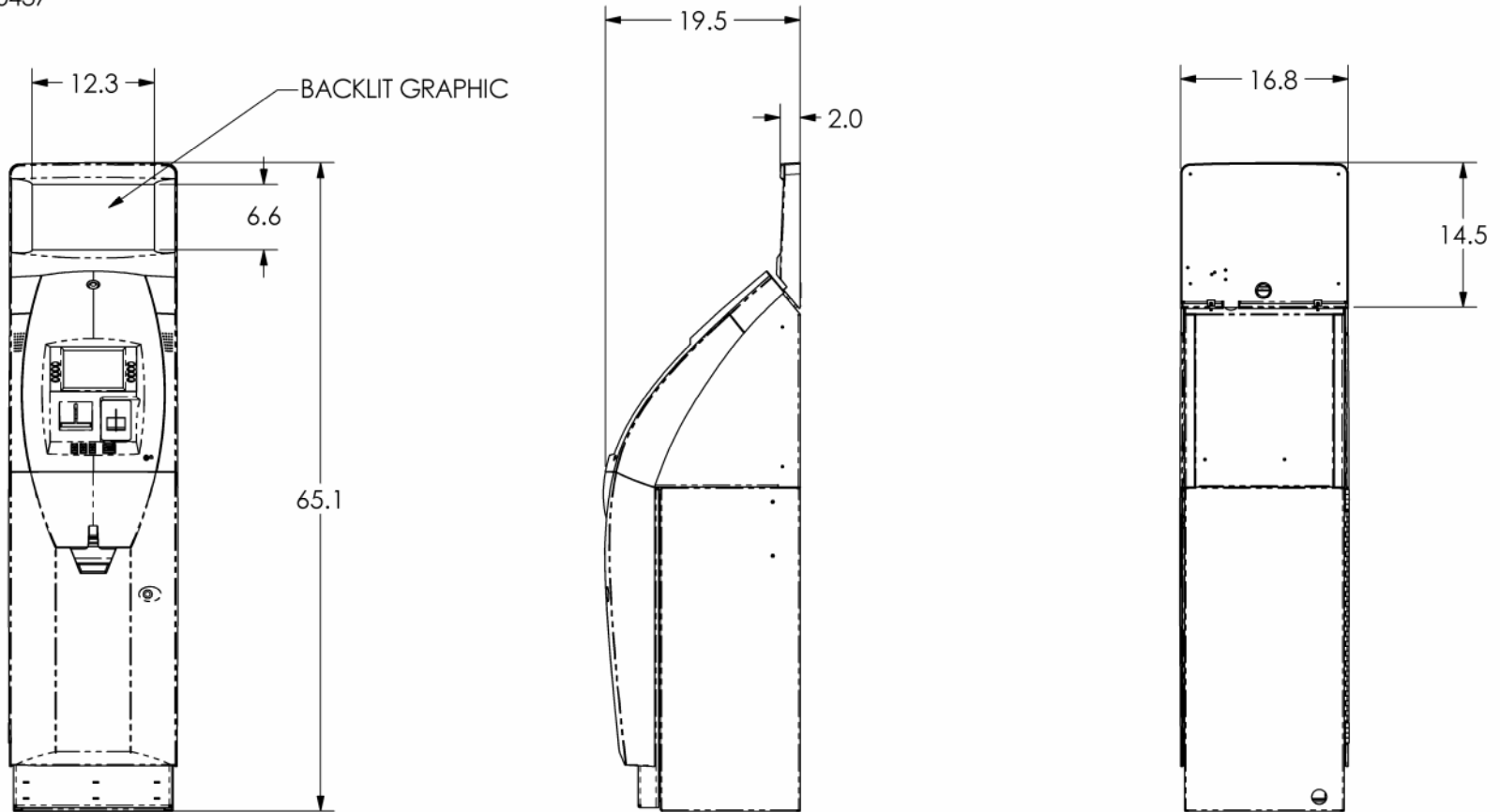
PN: 07600-00008
REV C
SHEET 3 OF 4
4/8/01



A DOVER INDUSTRIES COMPANY

522 EAST RAILROAD STREET
LONG BEACH, MS 39560
PHONE: (228) 868-1317
FAX: (228) 868-0437

9710/9705 CASH DISPENSER WITH MIDTOPPER



PN: 07600-00008
REV C
SHEET 4 OF 4
4/8/01