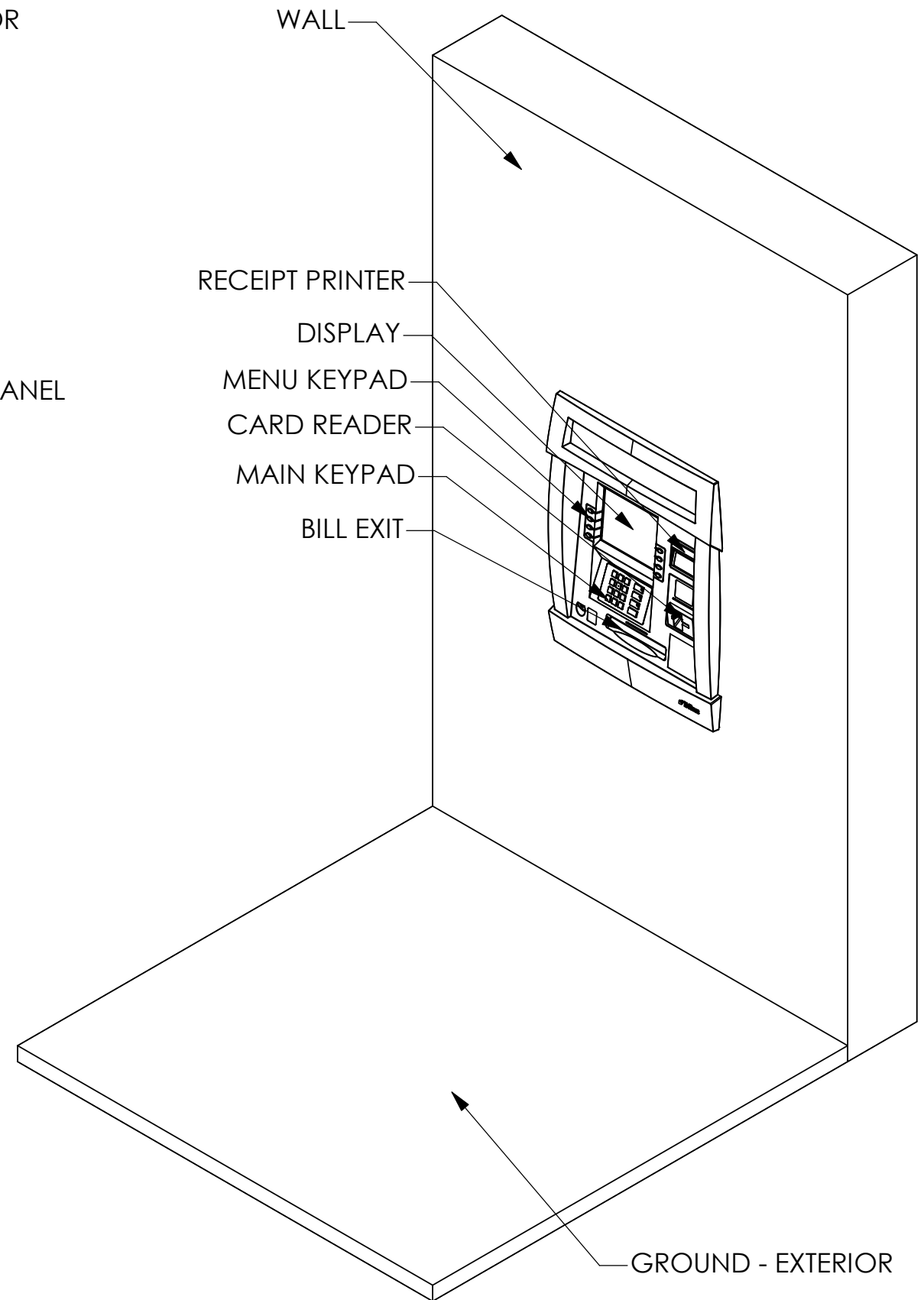
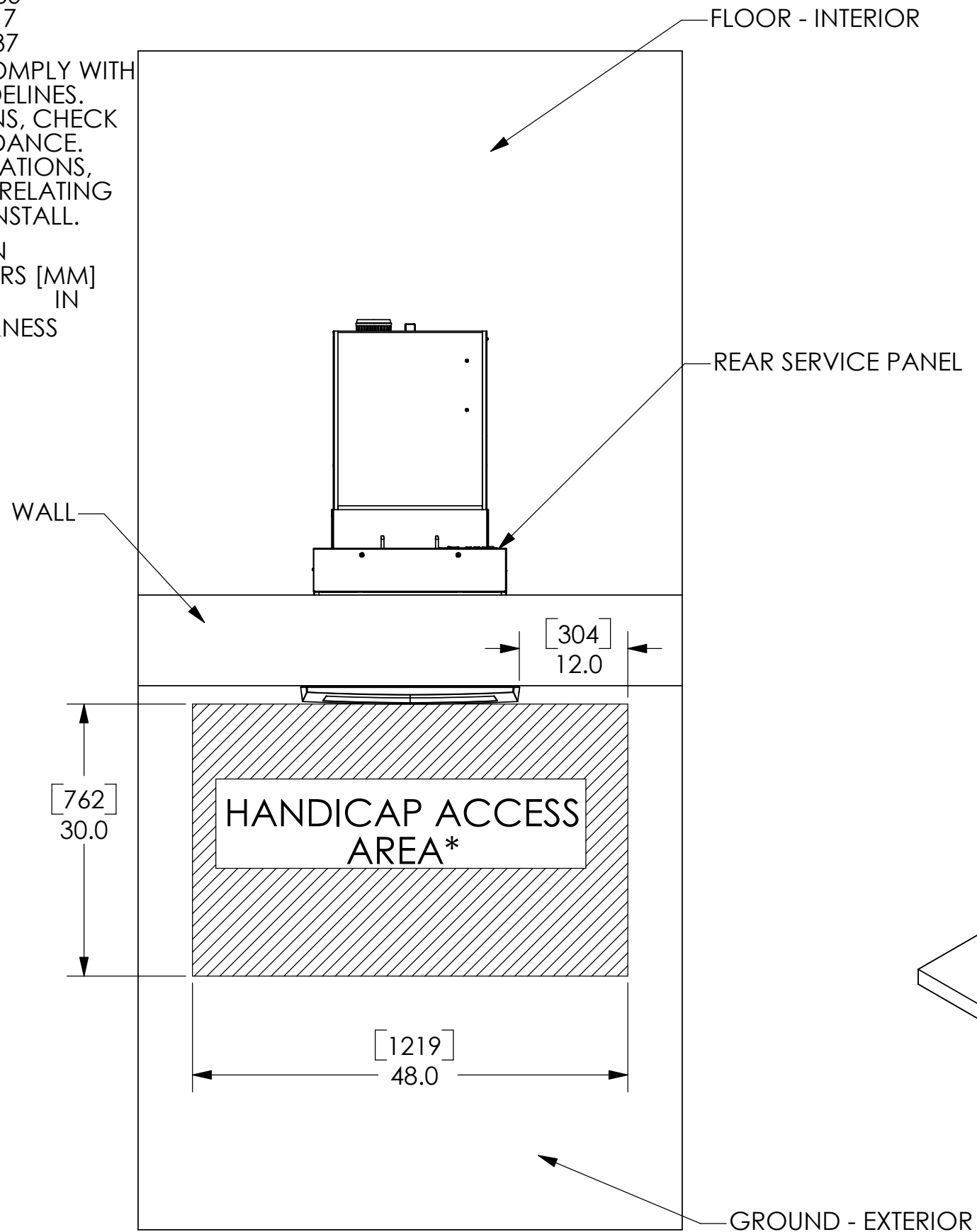


# TRITON MODEL FT5000 BUSINESS HOURS CASH DISPENSER

TOP VIEW

ISOMETRIC VIEW



522 EAST RAILROAD STREET  
 LONG BEACH, MS 39560  
 PHONE: (228) 868-1317  
 FAX: (228) 868-0437

\*DIMENSIONS LISTED COMPLY WITH US FEDERAL ADA GUIDELINES. FOR USA INSTALLATIONS, CHECK FOR ADDITIONAL GUIDANCE. FOR NON-USA INSTALLATIONS, CHECK REGULATIONS RELATING TO THE COUNTRY OF INSTALL.

DIMENSIONS SHOWN IN INCHES AND MILLIMETERS [MM] IN

MAXIMUM WALL THICKNESS 10 IN. [254 MM]

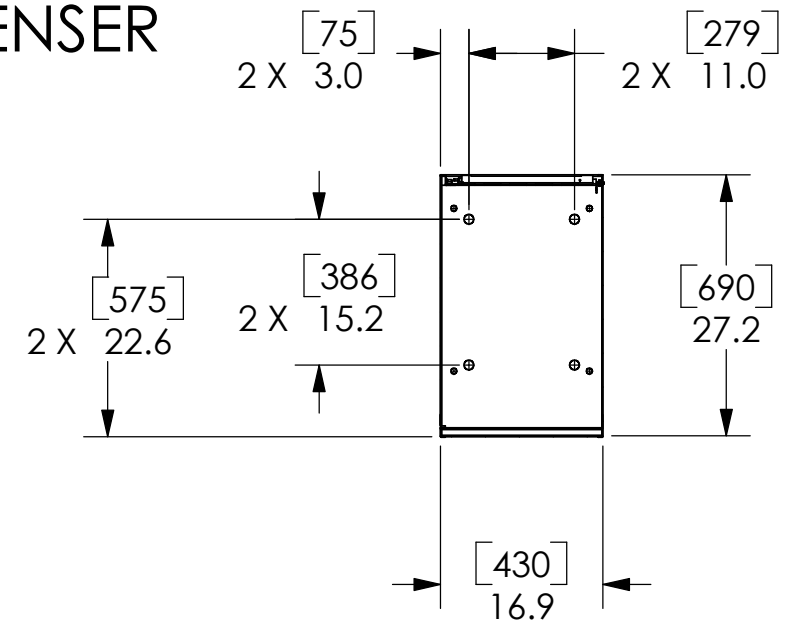
# TRITON MODEL FT5000 BUSINESS HOUR CASH DISPENSER

522 EAST RAILROAD STREET  
 LONG BEACH, MS 39560  
 PHONE: (228) 868-1317  
 FAX: (228) 868-0437

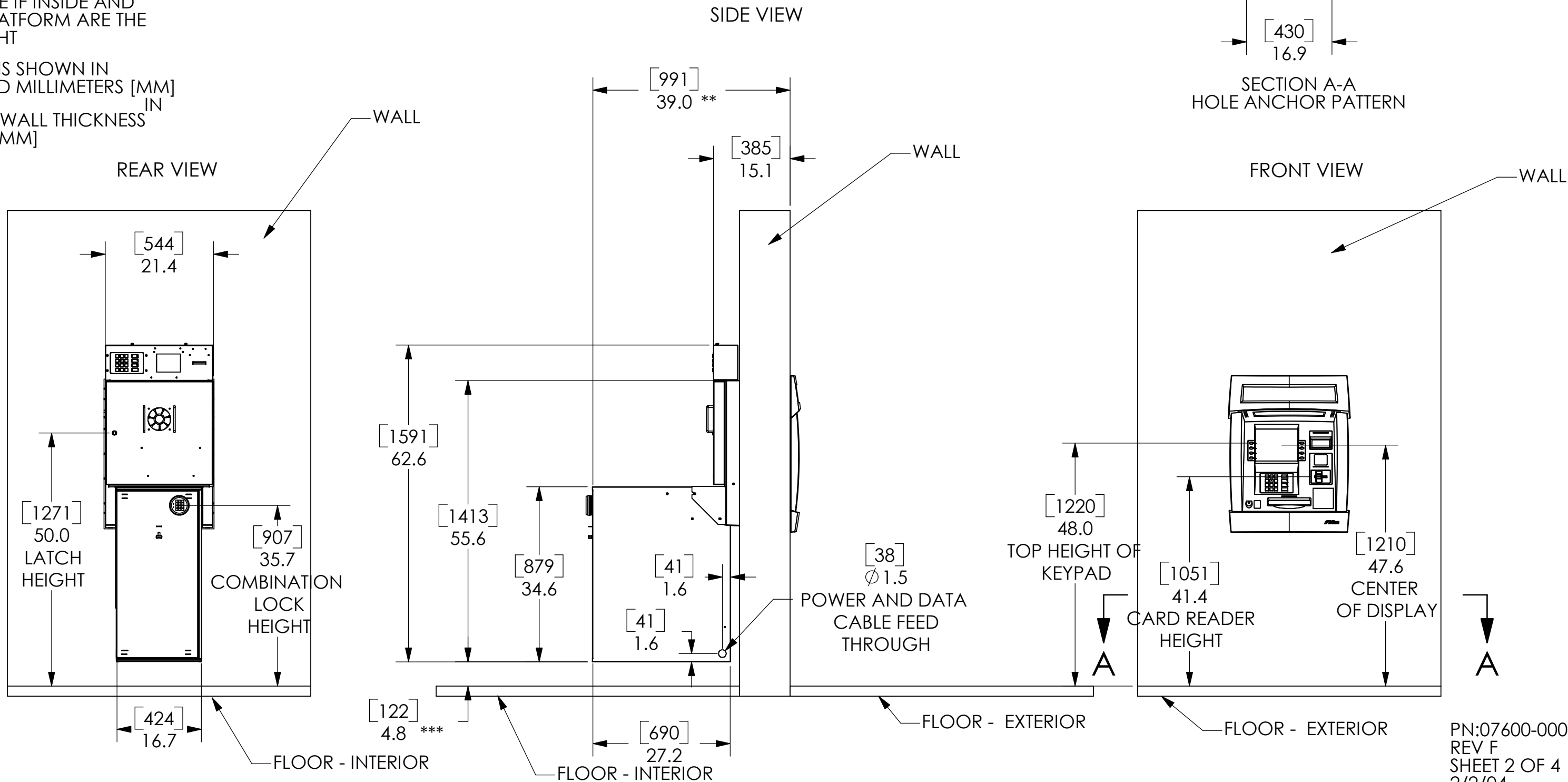
\*\*SUBTRACT THICKNESS OF THE WALL TO DETERMINE DISTANCE FROM THE INSIDE WALL TO THE BACK OF THE CABINET.

\*\*\*DISTANCE IF INSIDE AND OUTSIDE PLATFORM ARE THE SAME HEIGHT

DIMENSIONS SHOWN IN INCHES AND MILLIMETERS [MM]  
 IN  
 MAXIMUM WALL THICKNESS 10 IN. [254 MM]



SECTION A-A  
HOLE ANCHOR PATTERN



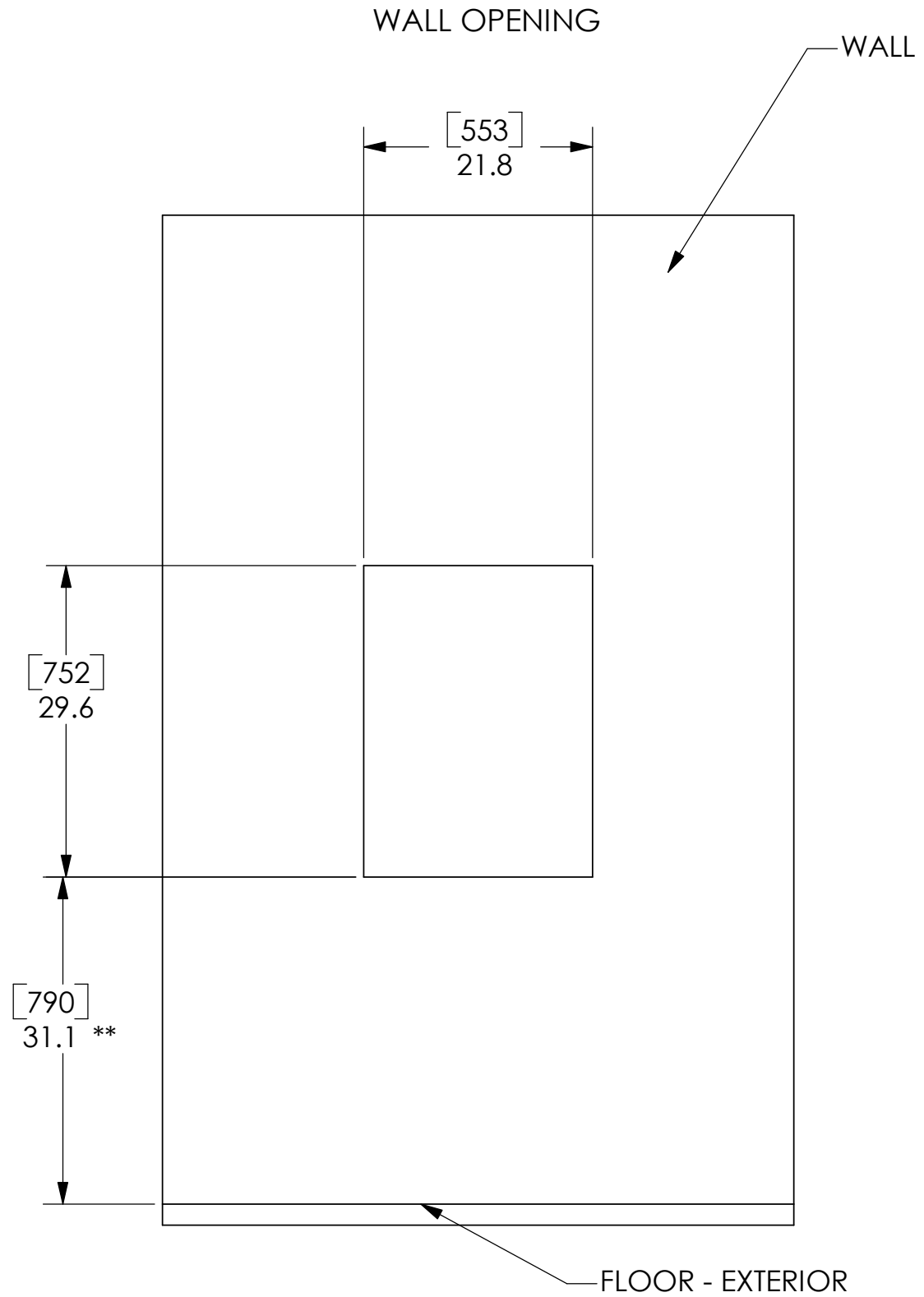
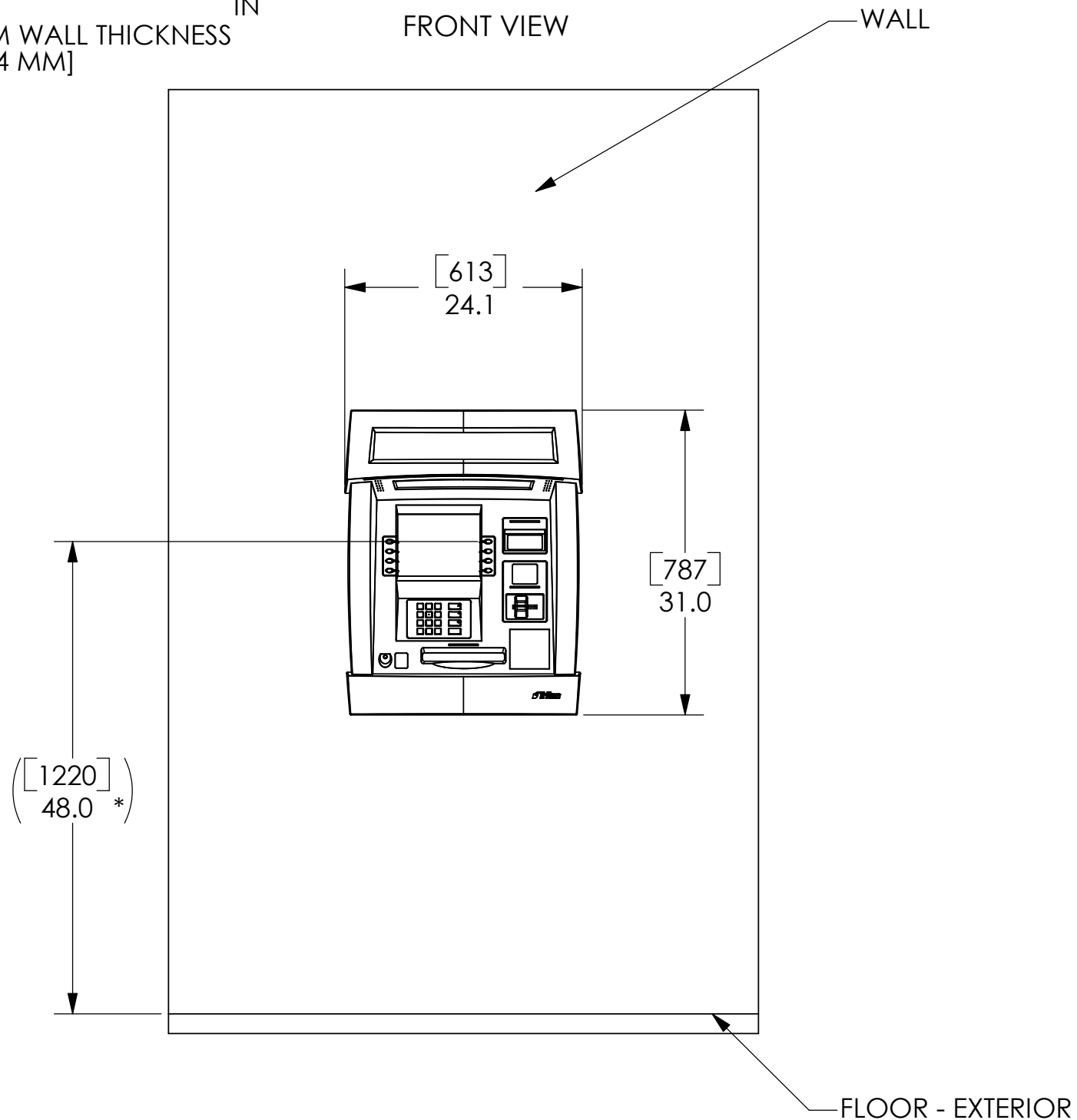
# TRITON MODEL FT5000 BUSINESS HOURS CASH DISPENSER

\*DIMENSIONS LISTED COMPLY WITH US FEDERAL ADA GUIDELINES. FOR USA INSTALLATIONS, CHECK FOR ADDITIONAL GUIDANCE. FOR NON-USA INSTALLATIONS, CHECK REGULATIONS RELATING TO THE COUNTRY OF INSTALL.

\*\*DIMENSIONS APPLICABLE IF INTERIOR FLOOR AND EXTERIOR GROUND ARE THE SAME HEIGHT .

DIMENSIONS SHOWN IN INCHES AND MILLIMETERS [MM]  
 IN

MAXIMUM WALL THICKNESS  
 10 IN. [254 MM]



# TRITON MODEL FT5000 BUSINESS HOURS CASH DISPENSER

\*SUBTRACT WALL THICKNESS TO FIND  
 DIMENSION TO THE INSIDE SURFACE OF WALL  
 DIMENSIONS SHOWN IN  
 INCHES AND MILLIMETERS [MM]  
 IN

 -- INDICATES SERVICE AREA

MAXIMUM WALL THICKNESS  
 10 IN. [254 MM]

