

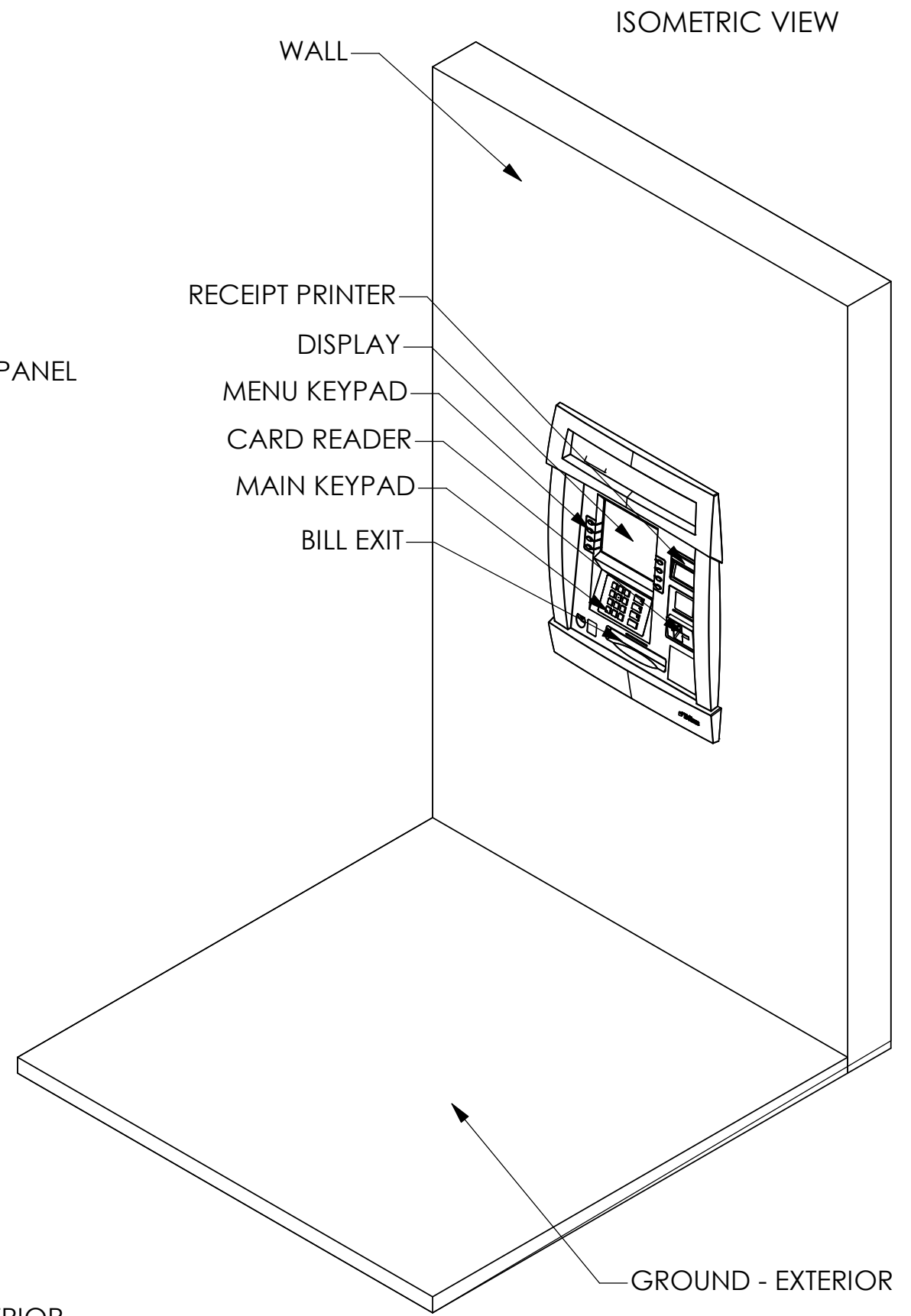
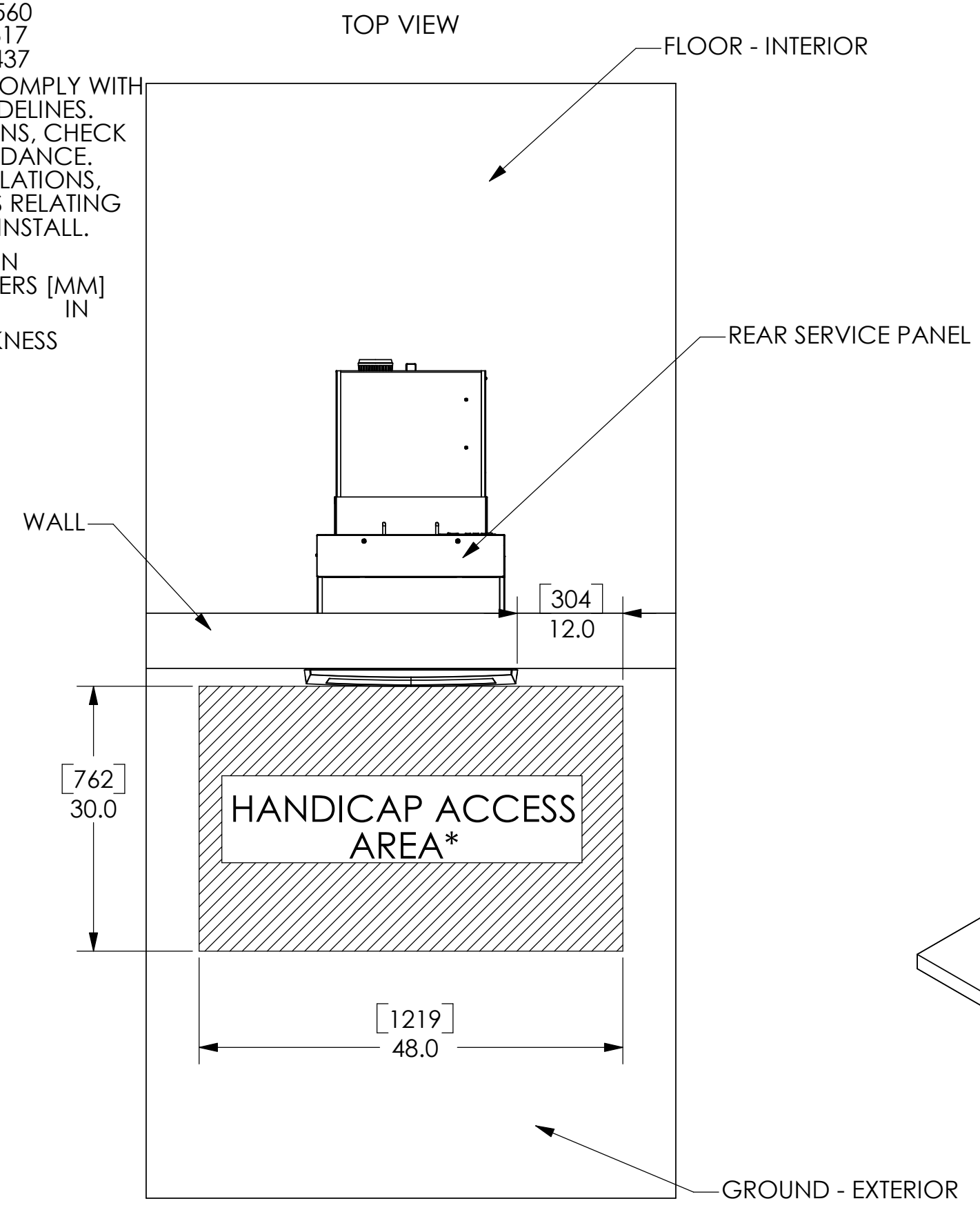
TRITON MODEL FT5000 ISLAND BUSINESS HOURS CASH DISPENSER

522 EAST RAILROAD STREET
 LONG BEACH, MS 39560
 PHONE: (228) 868-1317
 FAX: (228) 868-0437

*DIMENSIONS LISTED COMPLY WITH US FEDERAL ADA GUIDELINES. FOR USA INSTALLATIONS, CHECK FOR ADDITIONAL GUIDANCE. FOR NON-USA INSTALLATIONS, CHECK REGULATIONS RELATING TO THE COUNTRY OF INSTALL.

DIMENSIONS SHOWN IN INCHES AND MILLIMETERS [MM] IN

MAXIMUM WALL THICKNESS 6.3 INCHES [159 MM]



TRITON MODEL FT5000 ISLAND BUSINESS HOUR CASH DISPENSER

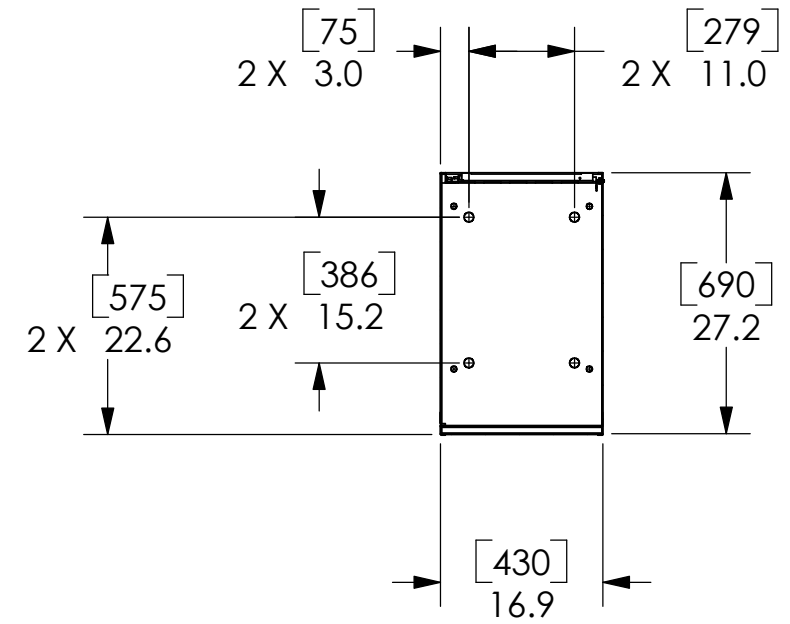
522 EAST RAILROAD STREET
 LONG BEACH, MS 39560
 PHONE: (228) 868-1317
 FAX: (228) 868-0437

**SUBTRACT THICKNESS OF THE WALL TO DETERMINE DISTANCE FROM THE INSIDE WALL TO THE BACK OF THE CABINET.

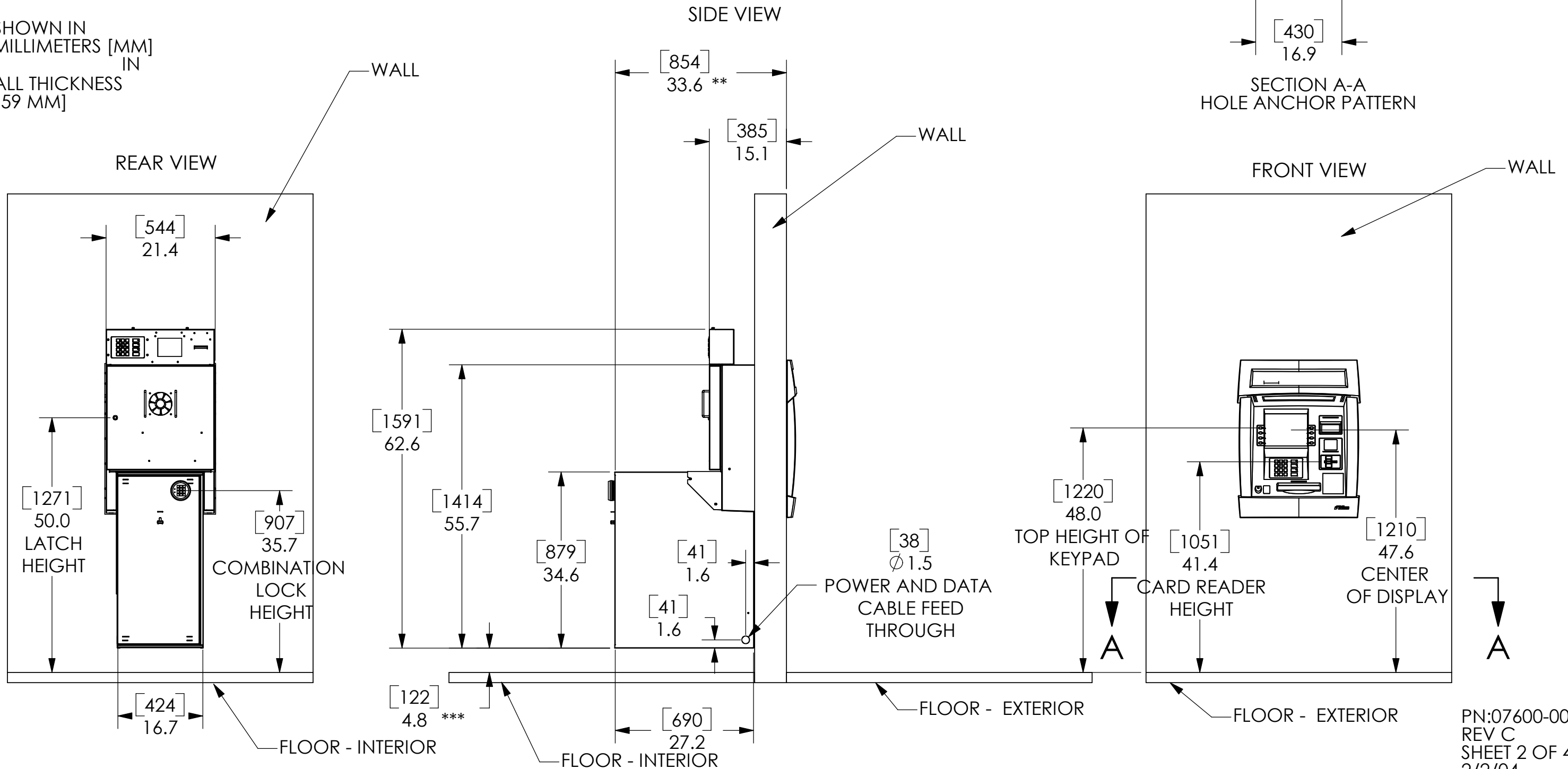
***DISTANCE IF INSIDE AND OUTSIDE PLATFORM ARE THE SAME HEIGHT

DIMENSIONS SHOWN IN INCHES AND MILLIMETERS [MM] IN

MAXIMUM WALL THICKNESS 6.3 INCHES [159 MM]



SECTION A-A
HOLE ANCHOR PATTERN

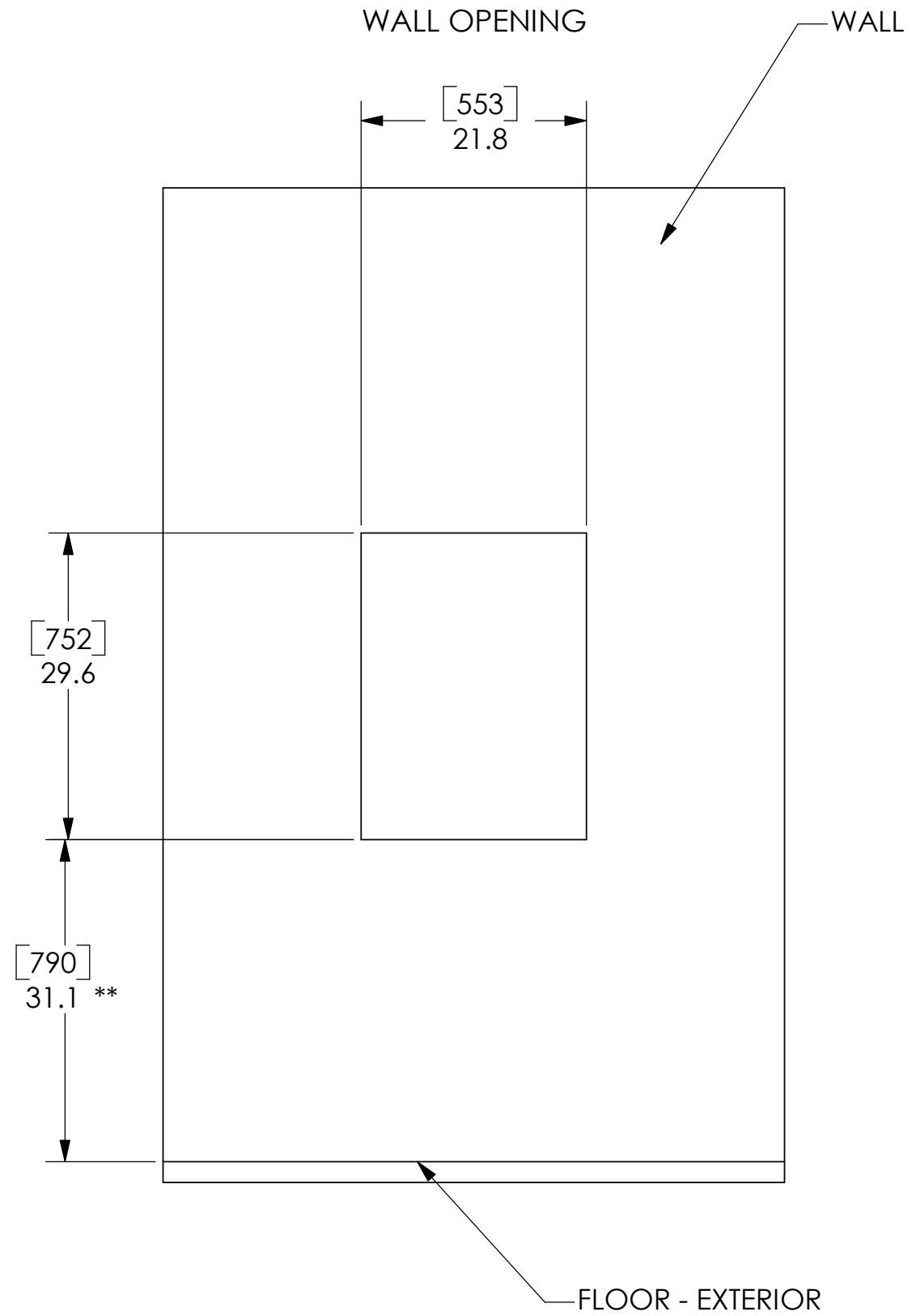
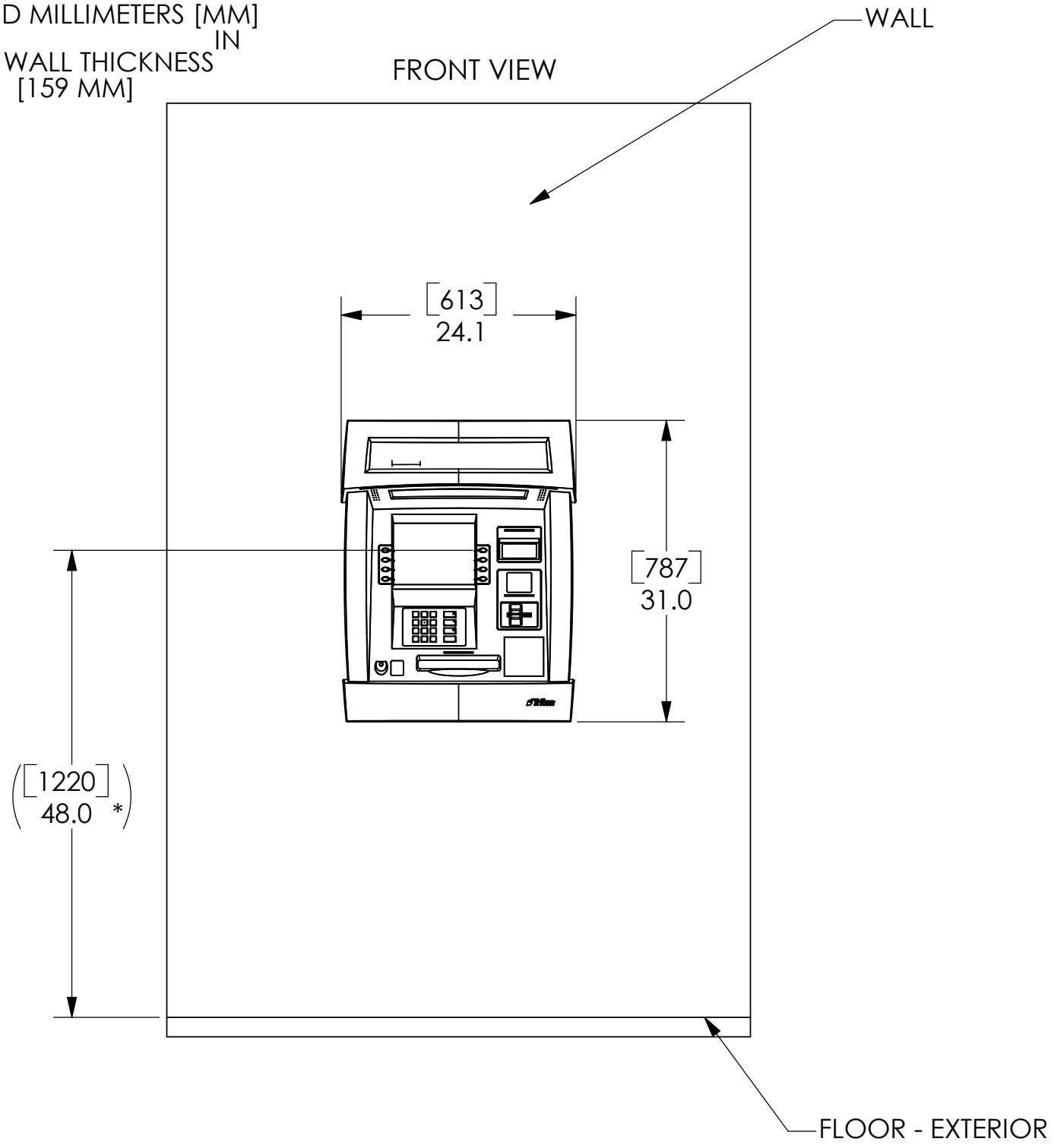


TRITON MODEL FT5000 ISLAND BUSINESS HOURS CASH DISPENSER

*DIMENSIONS LISTED COMPLY WITH US FEDERAL ADA GUIDELINES. FOR USA INSTALLATIONS, CHECK FOR ADDITIONAL GUIDANCE. FOR NON-USA INSTALLATIONS, CHECK REGULATIONS RELATING TO THE COUNTRY OF INSTALL.

**DIMENSIONS APPLICABLE IF INTERIOR FLOOR AND EXTERIOR GROUND ARE THE SAME HEIGHT.

DIMENSIONS SHOWN IN INCHES AND MILLIMETERS [MM]
 IN
 MAXIMUM WALL THICKNESS
 6.3 INCHES [159 MM]



TRITON MODEL FT5000 ISLAND BUSINESS HOURS CASH DISPENSER

*SUBTRACT WALL THICKNESS TO
 FIND DIMENSION TO INSIDE SURFACE OF WALL
 DIMENSIONS SHOWN IN
 INCHES AND MILLIMETERS [MM]

 -- INDICATES SERVICE AREA

MAXIMUM WALL THICKNESS
 6.3 INCHES [159 MM]

