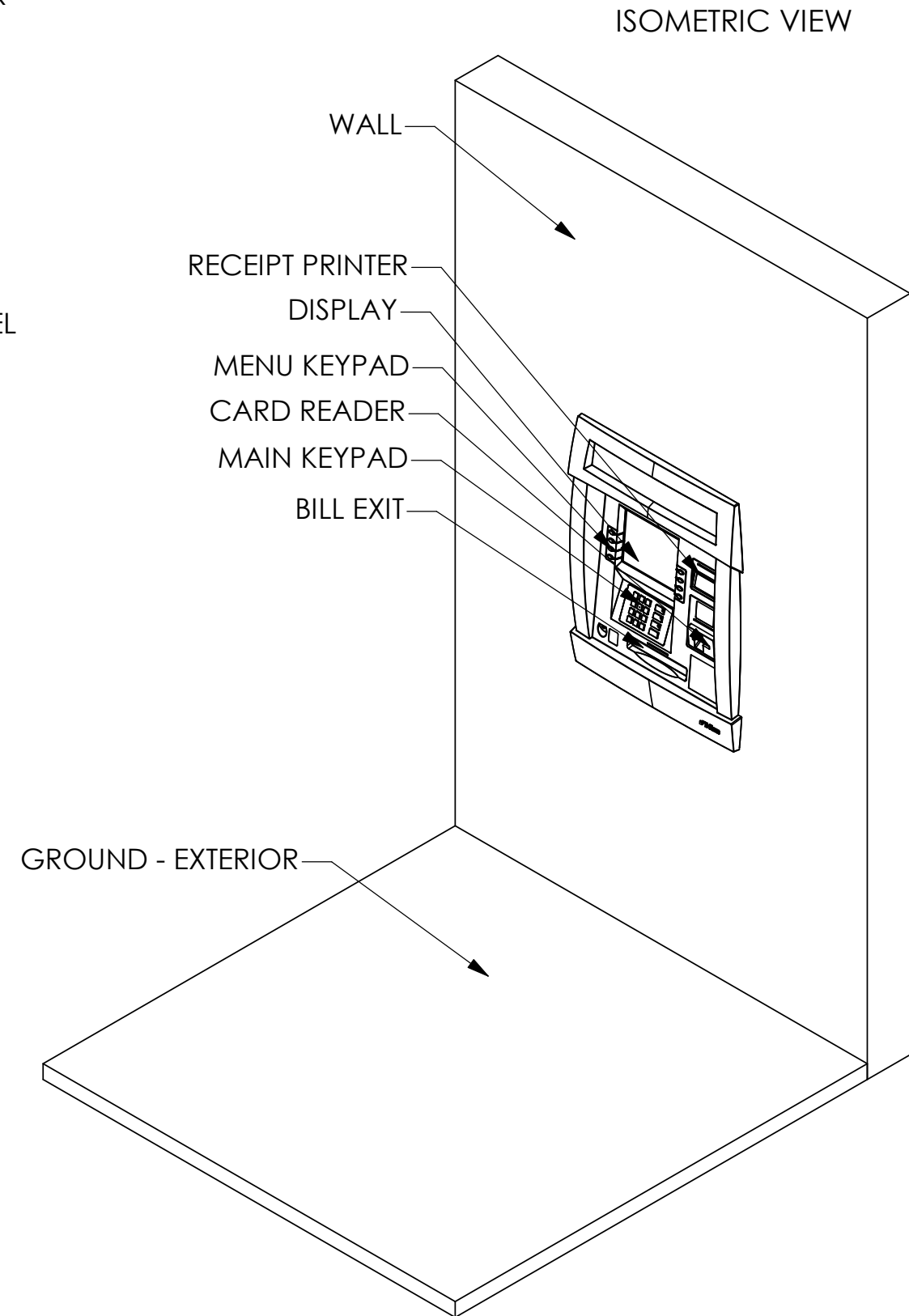
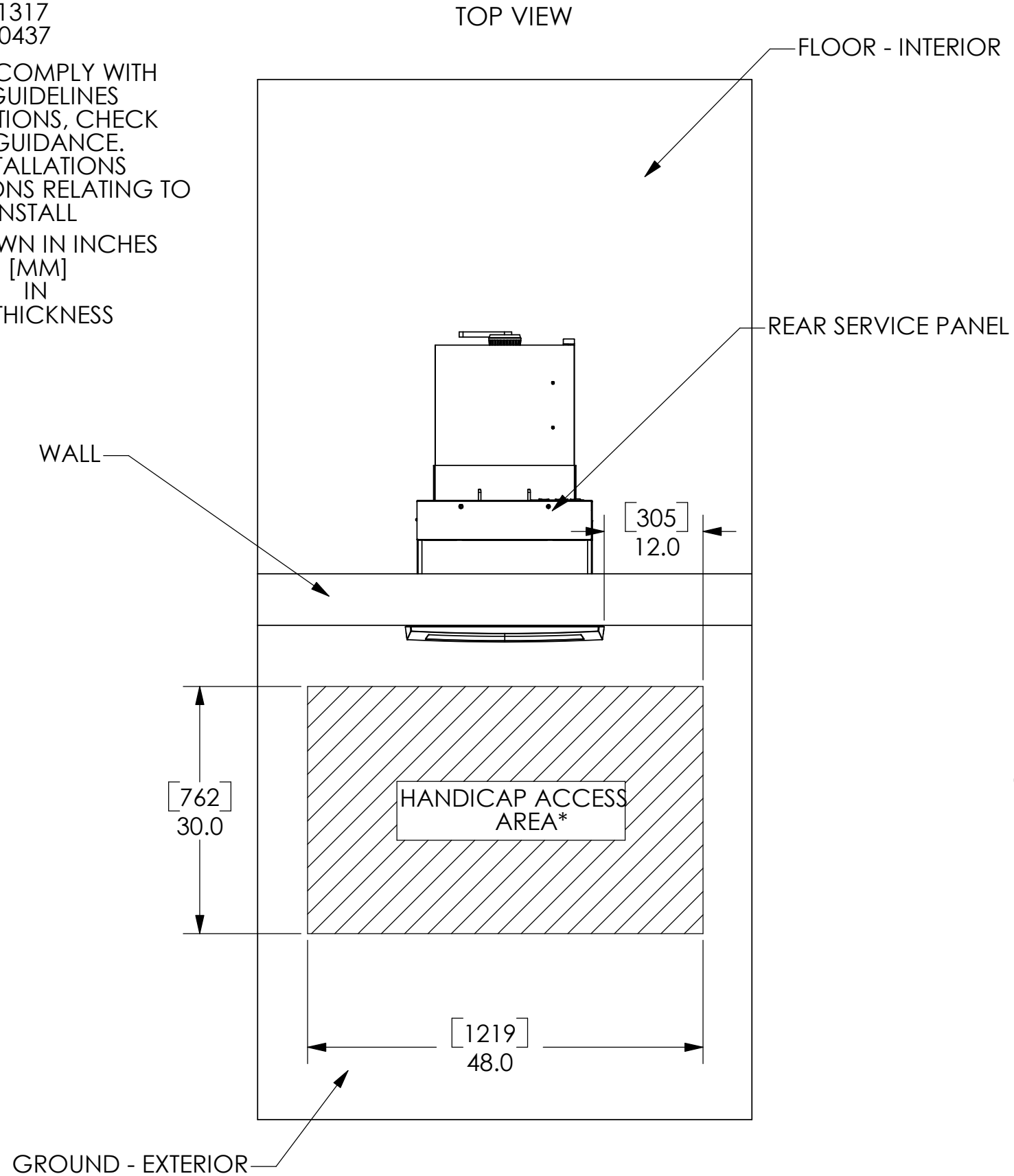


# TRITON MODEL FT5000 ISLAND LEVEL 1 CASH DISPENSER

522 EAST RAILROAD STREET  
 LONG BEACH, MS 39560  
 PHONE: (228) 868-1317  
 FAX: (228) 868-0437

\*DIMENSIONS LISTED COMPLY WITH US FEDERAL ADA GUIDELINES FOR USA INSTALLATIONS, CHECK FOR ADDITIONAL GUIDANCE. FOR NON-USA INSTALLATIONS CHECK REGULATIONS RELATING TO THE COUNTRY OF INSTALL

DIMENSIONS SHOWN IN INCHES AND MILLIMETERS [MM]  
 IN  
 MAXIMUM WALL THICKNESS 6.3 IN. [159 MM]





# TRITON MODEL FT5000 ISLAND LEVEL 1 CASH DISPENSER

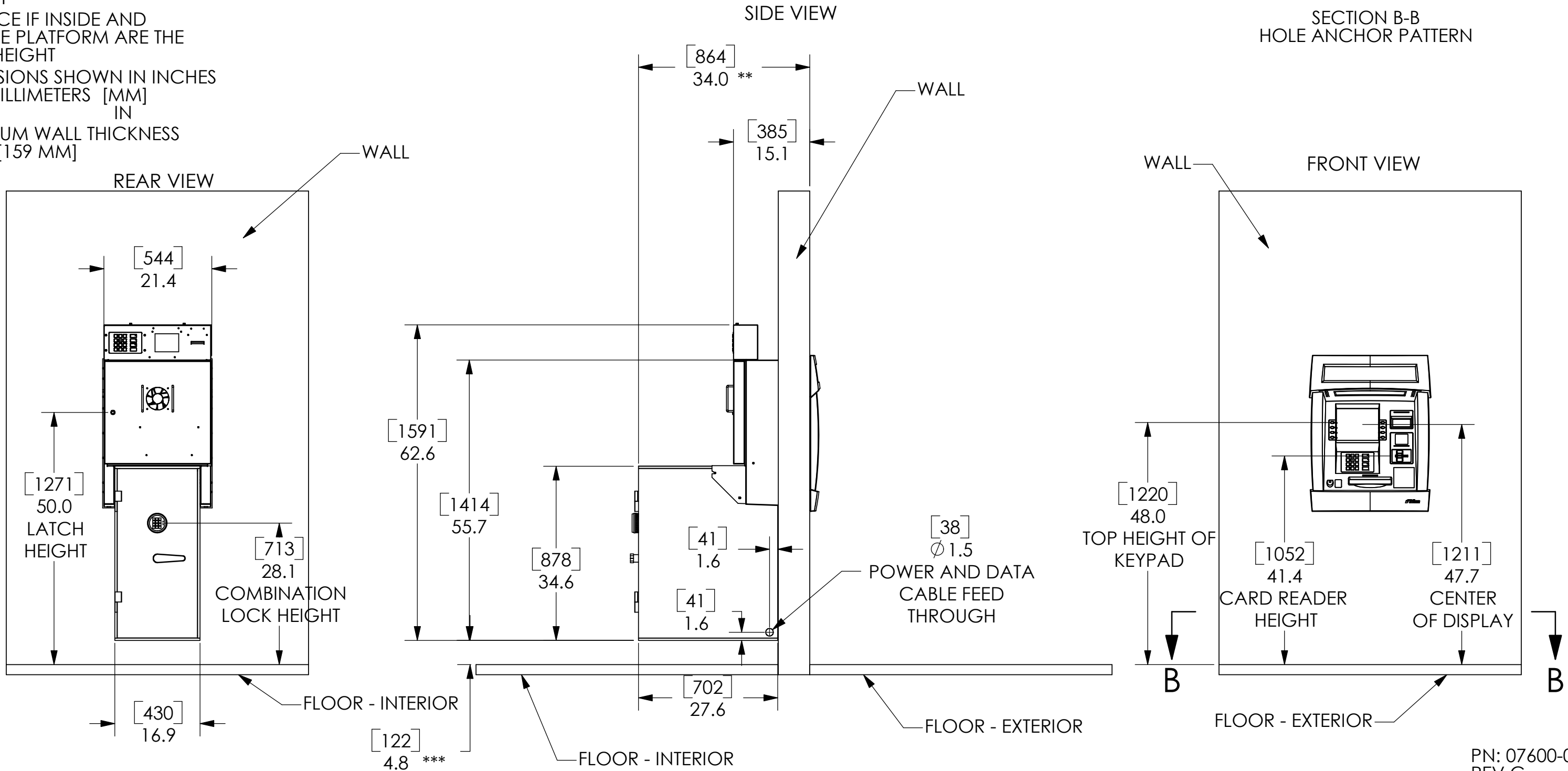
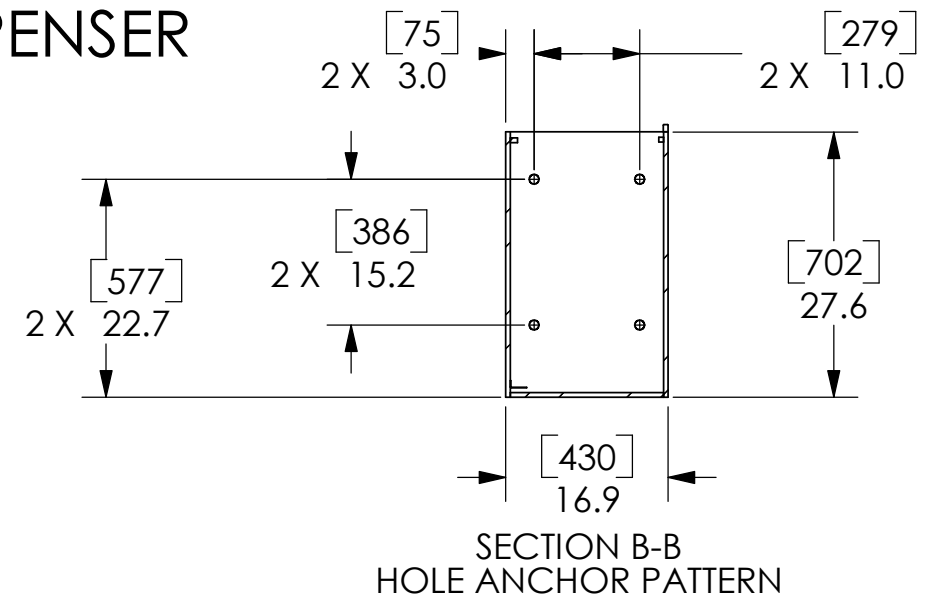
522 EAST RAILROAD STREET  
 LONG BEACH, MS 39560  
 PHONE: (228) 868-1317  
 FAX: (228) 868-0437

\*\*SUBTRACT THICKNESS OF THE WALL TO DETERMINE DISTANCE FROM THE INSIDE WALL TO THE BACK OF THE CABINET

\*\*\*DISTANCE IF INSIDE AND OUTSIDE PLATFORM ARE THE SAME HEIGHT

DIMENSIONS SHOWN IN INCHES AND MILLIMETERS [MM]  
 IN

MAXIMUM WALL THICKNESS 6.3 IN. [159 MM]



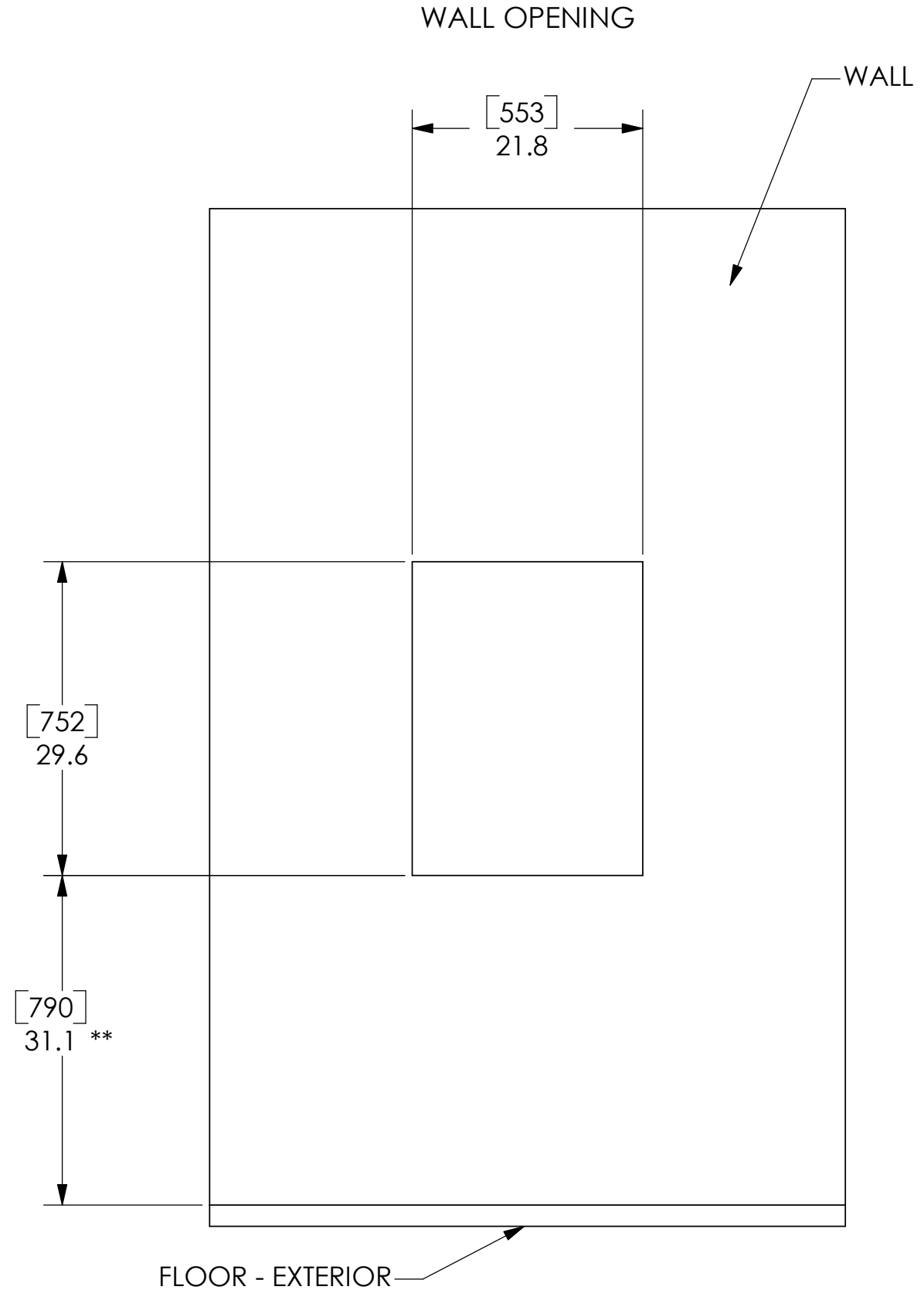
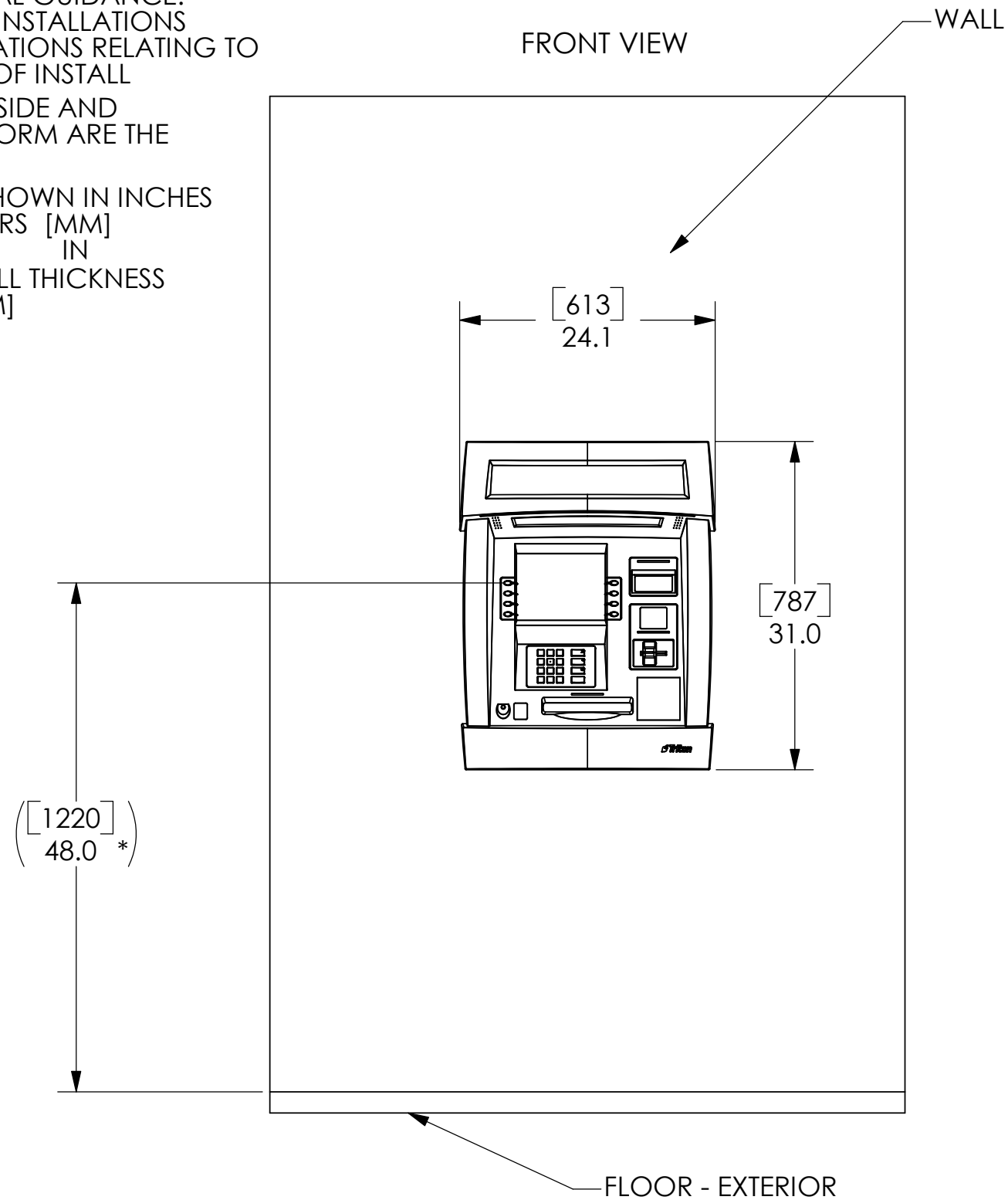
# TRITON MODEL FT5000 ISLAND LEVEL 1 CASH DISPENSER

522 EAST RAILROAD STREET  
 LONG BEACH, MS 39560  
 PHONE: (228) 868-1317  
 FAX: (228) 868-0437

\*DIMENSIONS LISTED COMPLY WITH  
 US FEDERAL ADA GUIDELINES  
 FOR USA INSTALLATIONS, CHECK  
 FOR ADDITIONAL GUIDANCE.  
 FOR NON-USA INSTALLATIONS  
 CHECK REGULATIONS RELATING TO  
 THE COUNTRY OF INSTALL

\*\*DISTANCE IF INSIDE AND  
 OUTSIDE PLATFORM ARE THE  
 SAME HEIGHT

DIMENSIONS SHOWN IN INCHES  
 AND MILLIMETERS [MM]  
 IN  
 MAXIMUM WALL THICKNESS  
 6.3 IN. [159 MM]



# TRITON MODEL FT5000 ISLAND LEVEL 1 CASH DISPENSER

522 EAST RAILROAD STREET  
 LONG BEACH, MS 39560  
 PHONE: (228) 868-1317  
 FAX: (228) 868-0437

 -- INDICATES SERVICE AREA

\* SUBTRACT WALL THICKNESS TO  
 FIND DIMENSION TO INSIDE SURFACE OF WALL  
 DIMENSIONS SHOWN IN INCHES  
 AND MILLIMETERS [MM]

IN  
 MAXIMUM WALL THICKNESS  
 6.3 IN. [159 MM]

