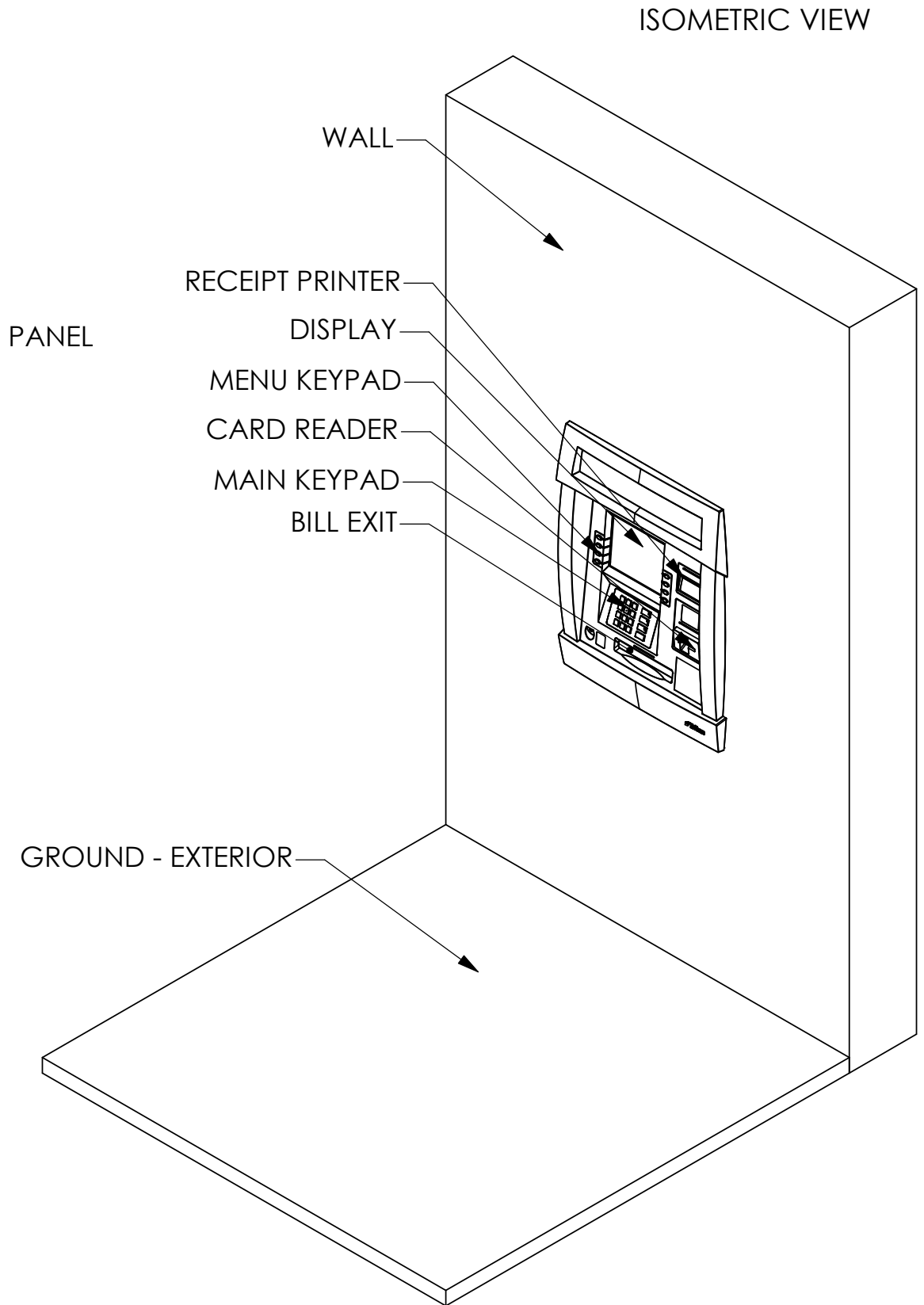
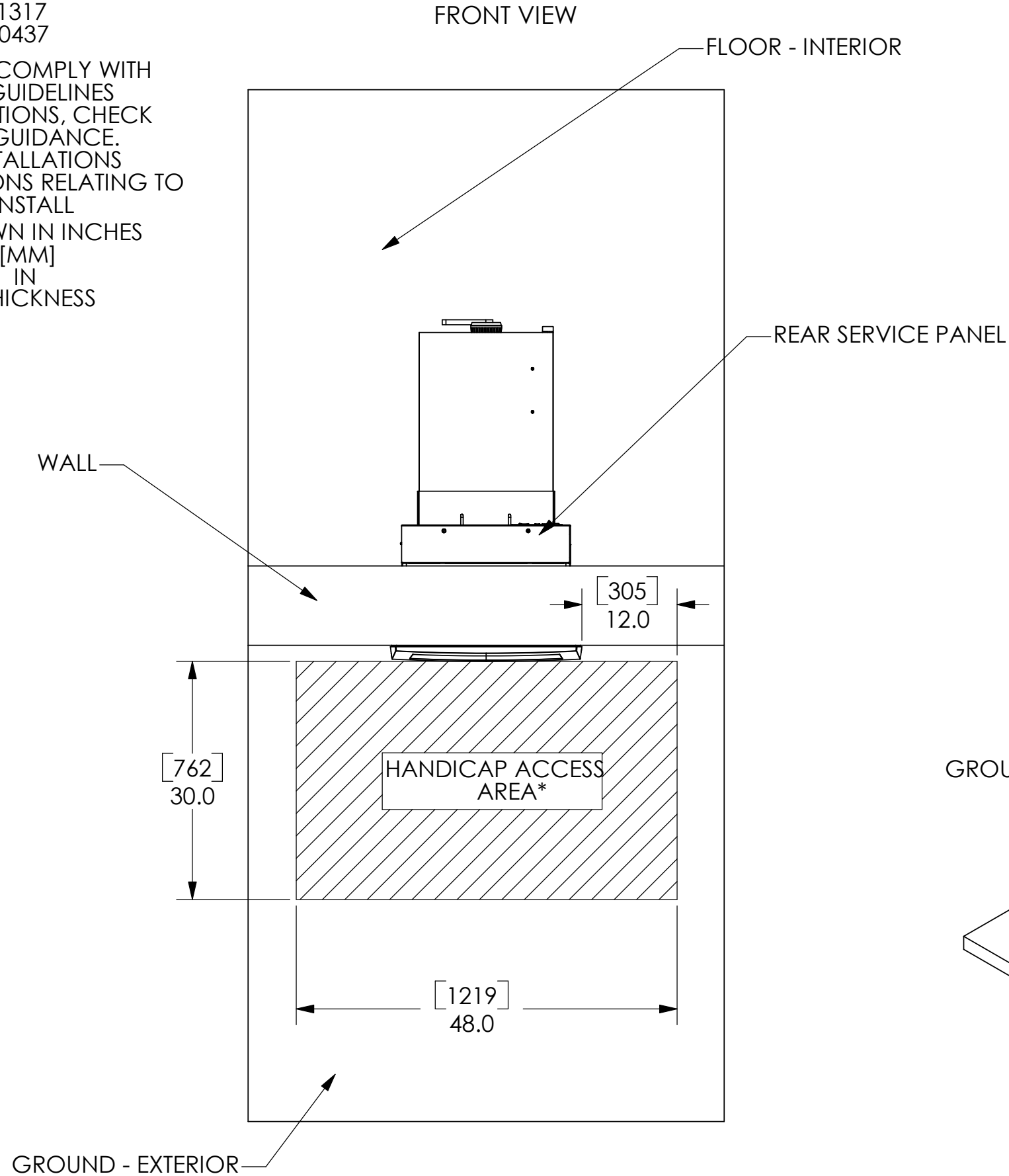


TRITON MODEL FT5000 LEVEL 1 CASH DISPENSER

522 EAST RAILROAD STREET
 LONG BEACH, MS 39560
 PHONE: (228) 868-1317
 FAX: (228) 868-0437

*DIMENSIONS LISTED COMPLY WITH US FEDERAL ADA GUIDELINES FOR USA INSTALLATIONS, CHECK FOR ADDITIONAL GUIDANCE. FOR NON-USA INSTALLATIONS CHECK REGULATIONS RELATING TO THE COUNTRY OF INSTALL. DIMENSIONS SHOWN IN INCHES AND MILLIMETERS [MM] IN MAXIMUM WALL THICKNESS 10 IN. [254 MM]



TRITON MODEL FT5000 LEVEL 1 CASH DISPENSER

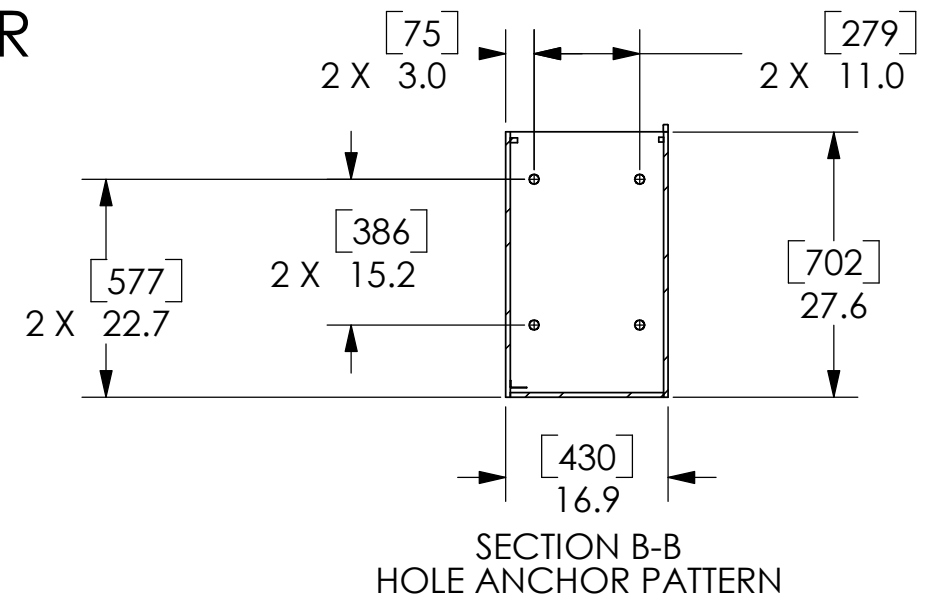
522 EAST RAILROAD STREET
 LONG BEACH, MS 39560
 PHONE: (228) 868-1317
 FAX: (228) 868-0437

**SUBTRACT THICKNESS OF THE WALL TO DETERMINE DISTANCE FROM THE INSIDE WALL TO THE BACK OF THE CABINET

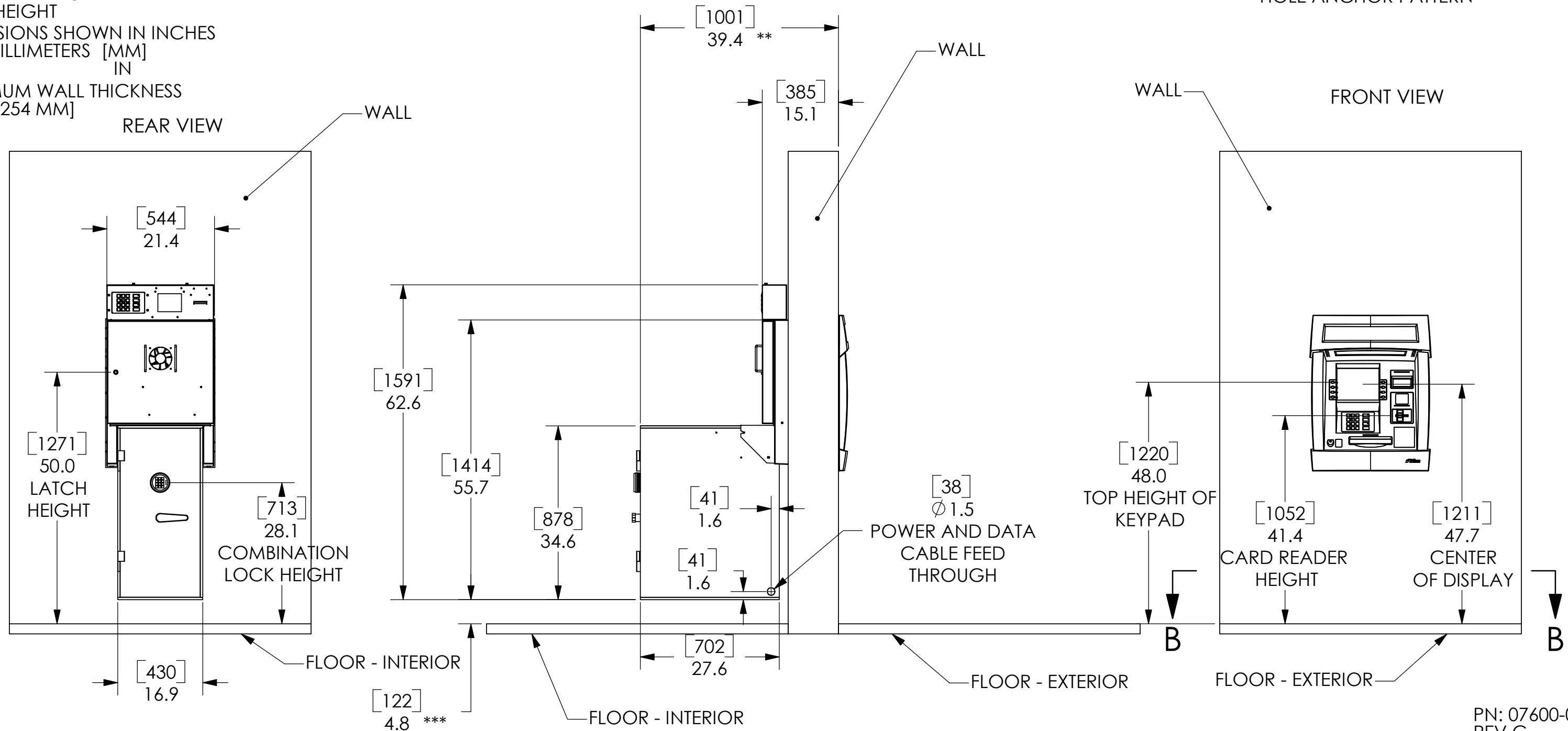
***DISTANCE IF INSIDE AND OUTSIDE PLATFORM ARE THE SAME HEIGHT

DIMENSIONS SHOWN IN INCHES AND MILLIMETERS [MM] IN

MAXIMUM WALL THICKNESS 10 IN. [254 MM]



SIDE VIEW



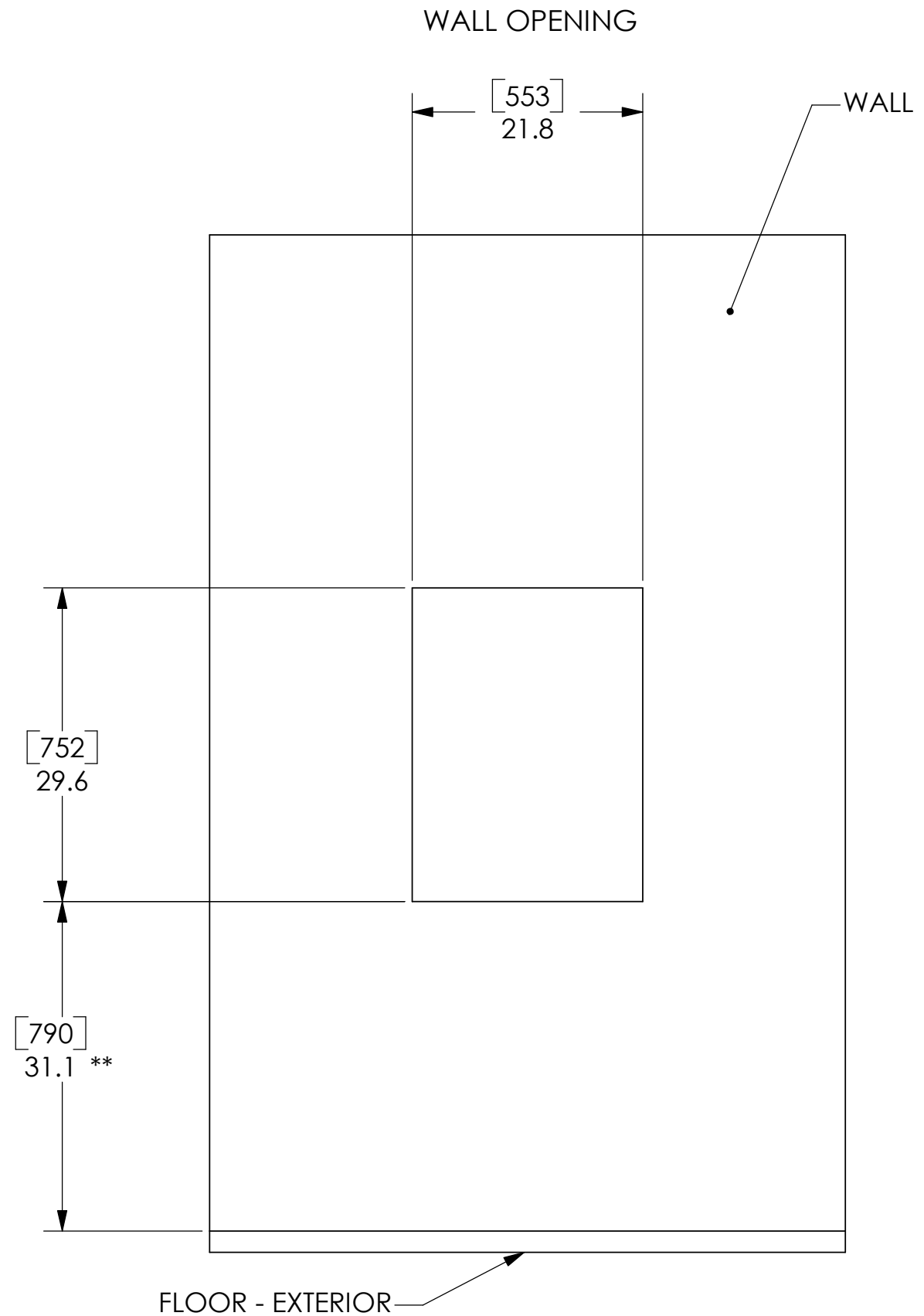
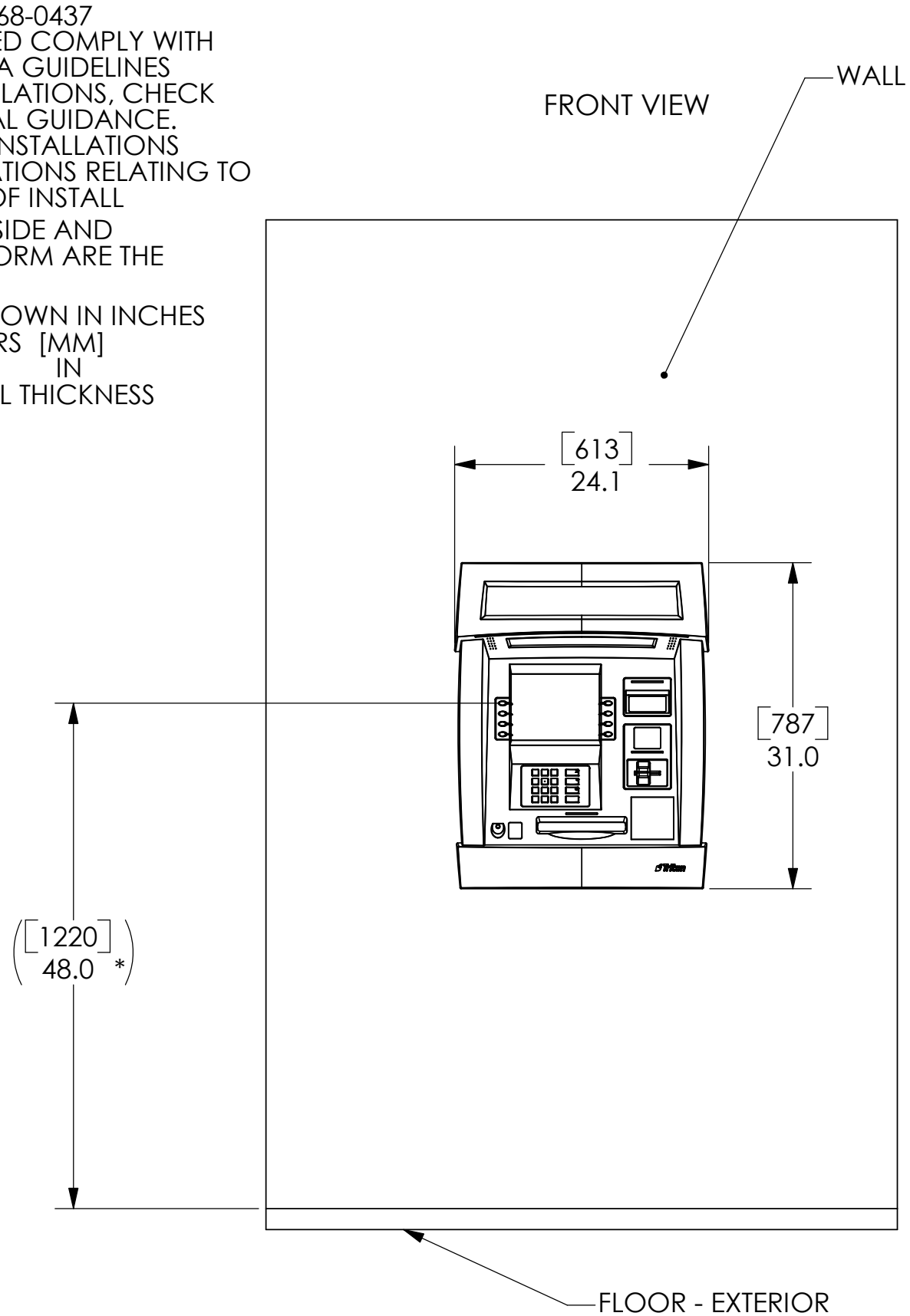
TRITON MODEL FT5000 LEVEL 1 CASH DISPENSER

522 EAST RAILROAD STREET
 LONG BEACH, MS 39560
 PHONE: (228) 868-1317
 FAX: (228) 868-0437

*DIMESIONS LISTED COMPLY WITH
 US FEDERAL ADA GUIDELINES
 FOR USA INSTALLATIONS, CHECK
 FOR ADDITIONAL GUIDANCE.
 FOR NON-USA INSTALLATIONS
 CHECK REGULATIONS RELATING TO
 THE COUNTRY OF INSTALL

**DISTANCE IF INSIDE AND
 OUTSIDE PLATFORM ARE THE
 SAME HEIGHT

DIMENSIONS SHOWN IN INCHES
 AND MILLIMETERS [MM]
 IN
 MAXIMUM WALL THICKNESS
 10 IN. [254 MM]

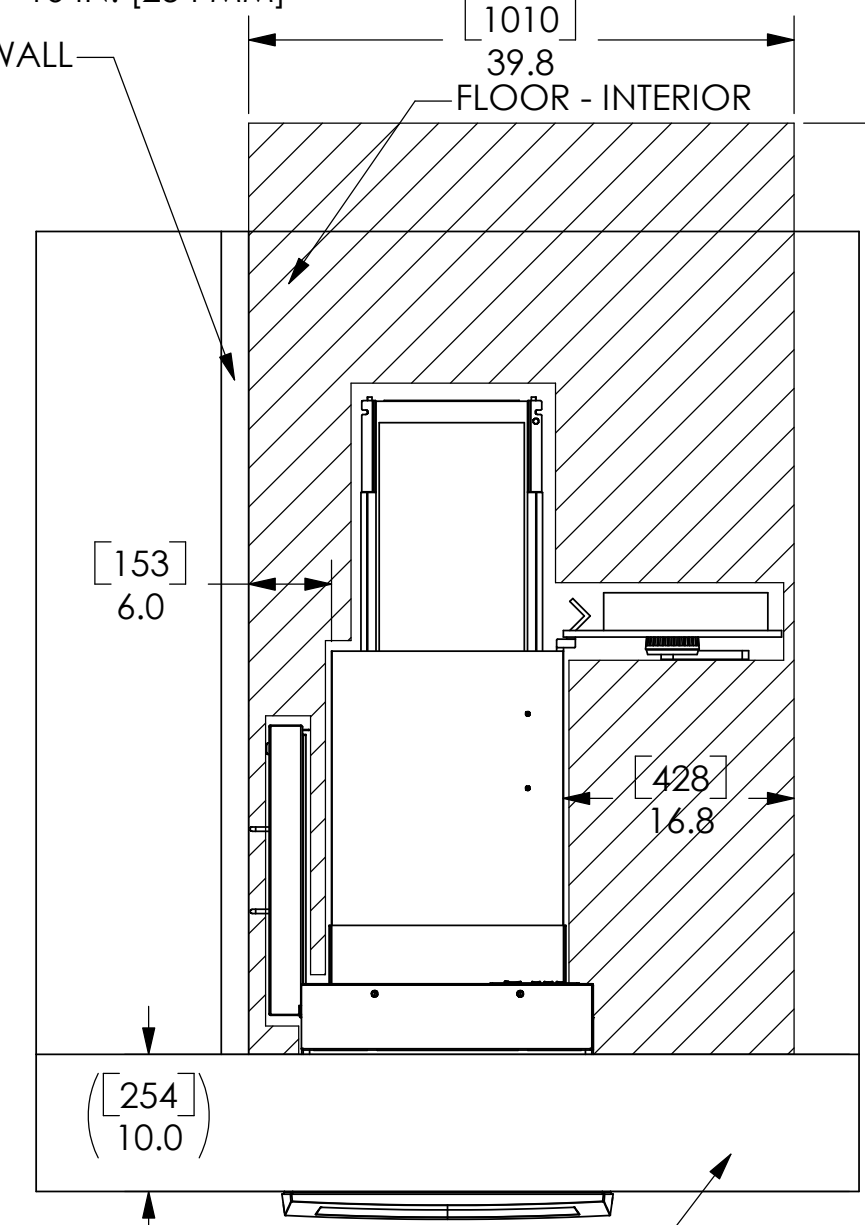


TRITON MODEL FT5000 LEVEL 1 CASH DISPENSER

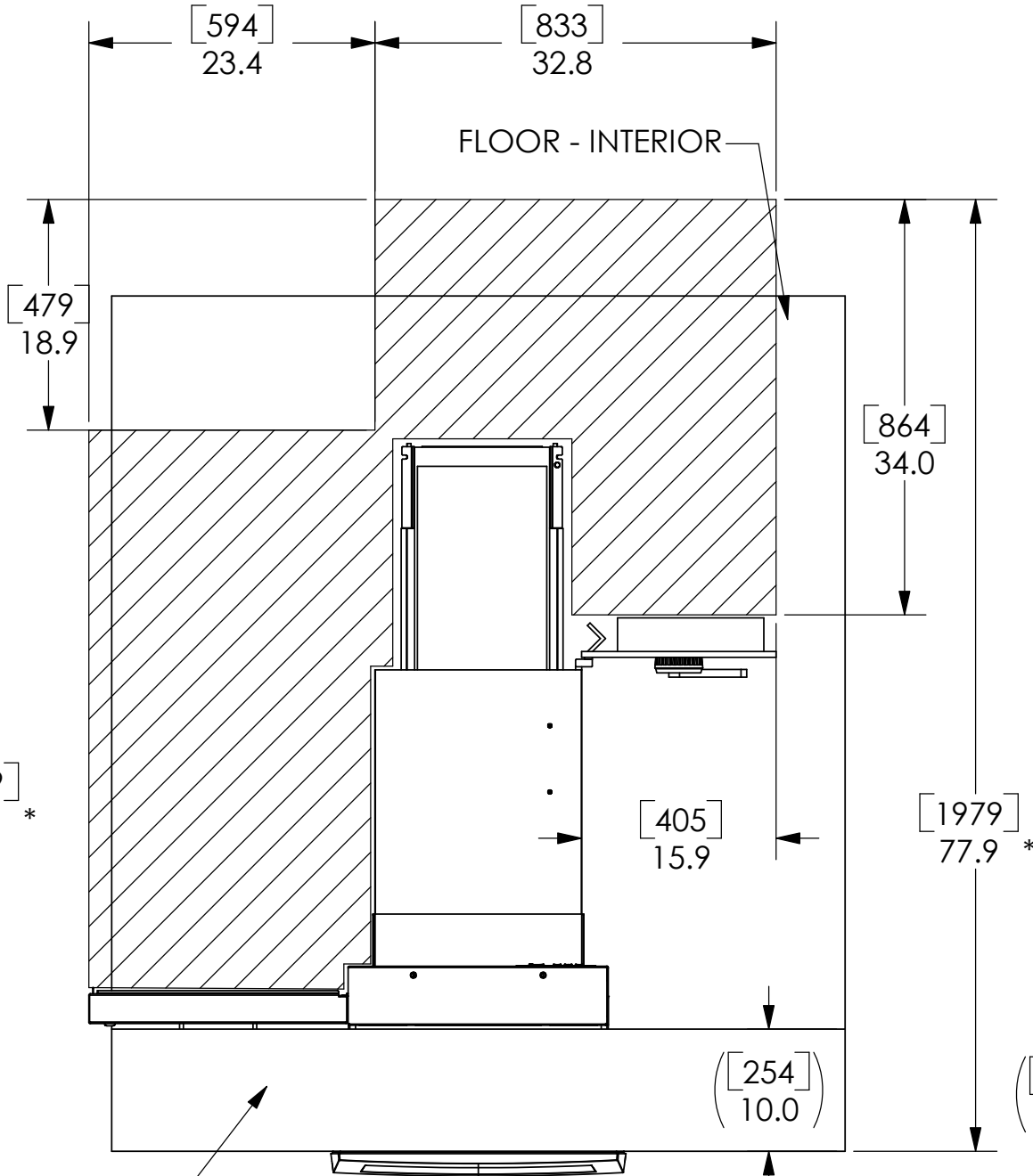
522 EAST RAILROAD STREET
 LONG BEACH, MS 39560
 PHONE: (228) 868-1317
 FAX: (228) 868-0437
 * SUBTRACT WALL THICKNESS TO
 FIND DIMENSION TO INSIDE SURFACE
 OF WALL
 DIMENSIONS SHOWN IN INCHES
 AND MILLIMETERS [MM]

 -- INDICATES SERVICE AREA

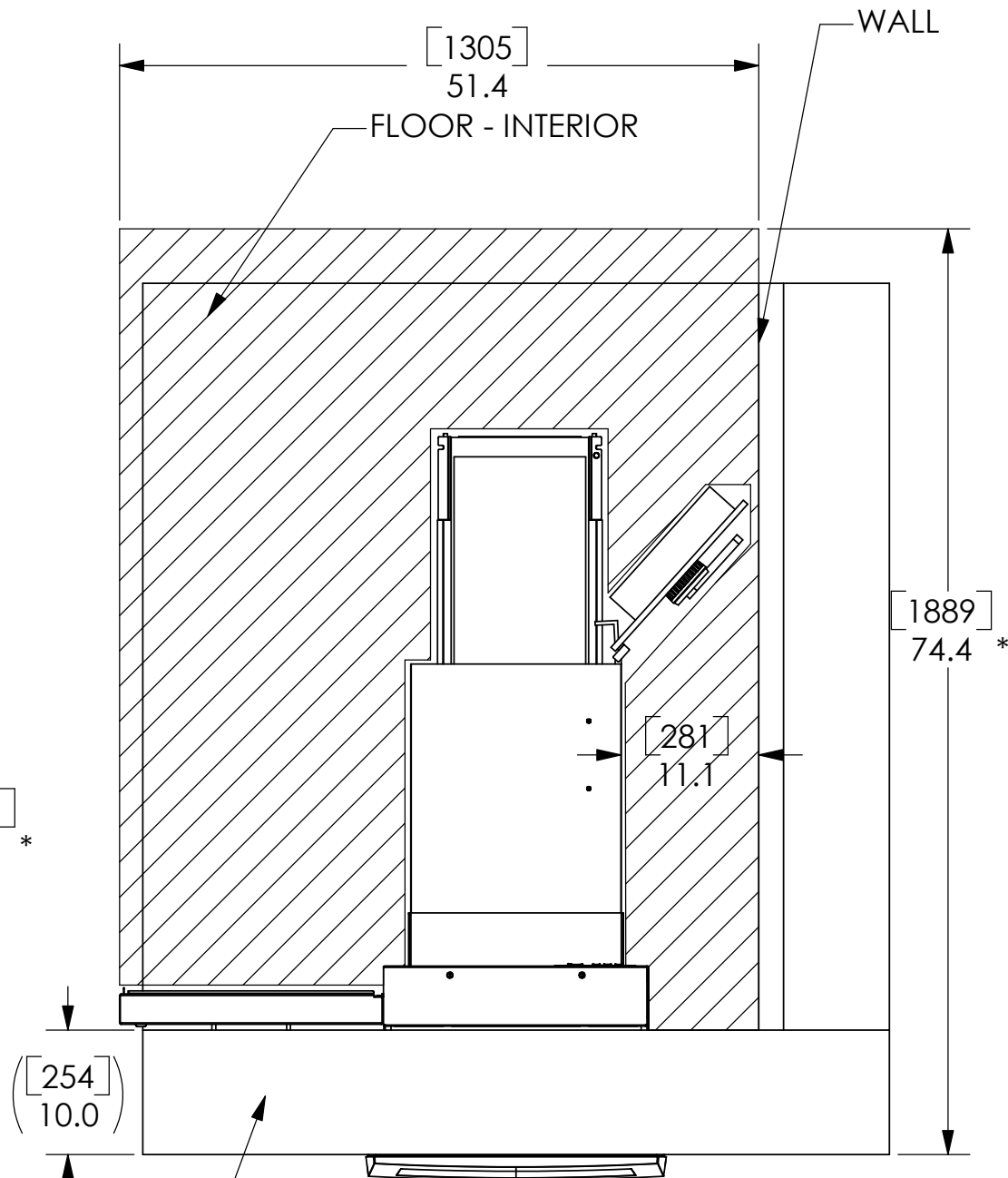
IN
 MAXIMUM WALL THICKNESS
 10 IN. [254 MM]



SERVICE CONFIGURATION 1



PREFERRED SERVICE CONFIGURATION



SERVICE CONFIGURATION 2