

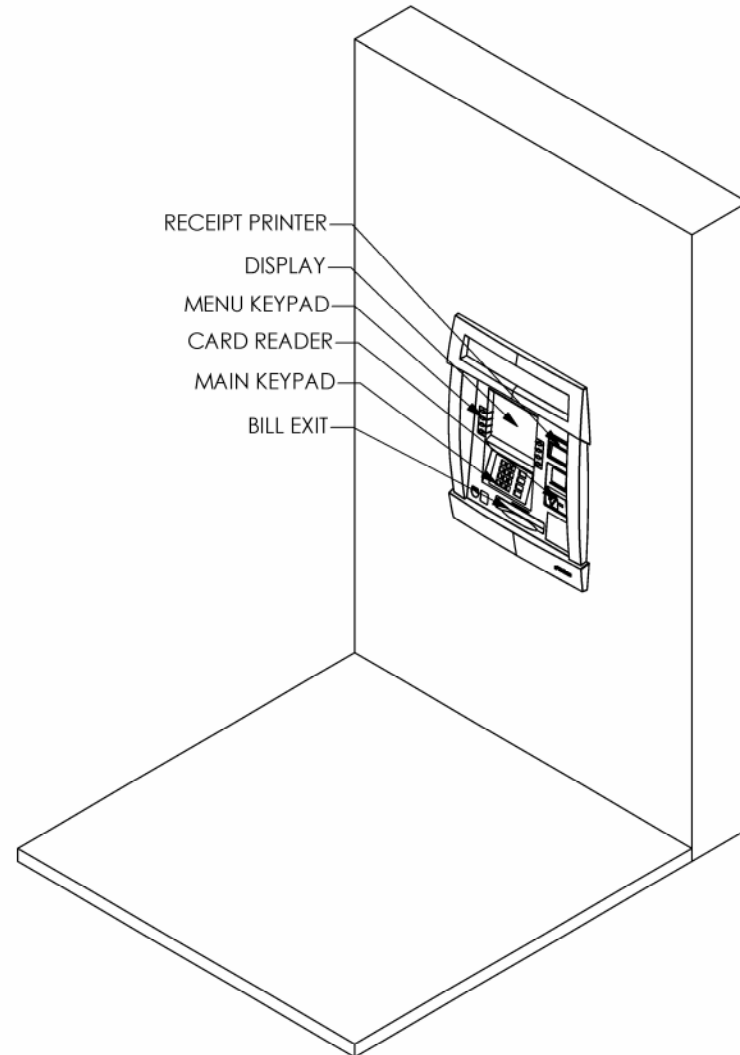
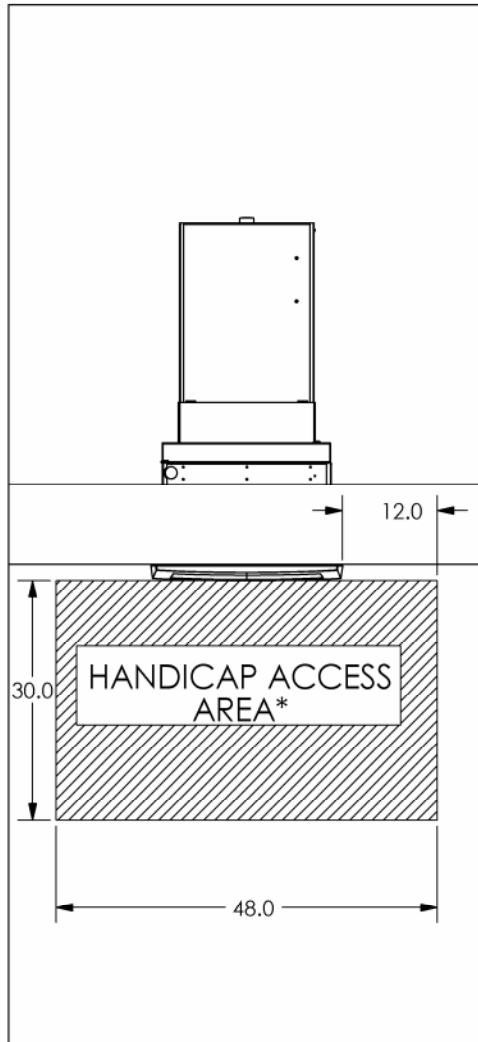


A DOVER INDUSTRIES COMPANY

522 EAST RAILROAD STREET
LONG BEACH, MS 39560
PHONE: (228) 868-1317
FAX: (228) 868-0437

*DIMENSIONS LISTED COMPLY WITH
US FEDERAL ADA GUIDELINES.
FOR USA INSTALLATIONS, CHECK
FOR ADDITIONAL GUIDANCE.
FOR NON-USA INSTALLATIONS,
CHECK REGULATIONS RELATING
TO THE COUNTRY OF INSTALL.

TRITON MODEL FT5000 CASH DISPENSER





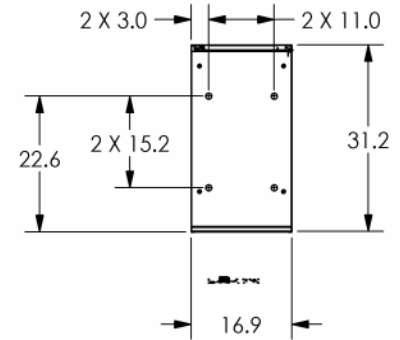
A DOVER INDUSTRIES COMPANY

522 EAST RAILROAD STREET
 LONG BEACH, MS 39560
 PHONE: (228) 868-1317
 FAX: (228) 868-0437

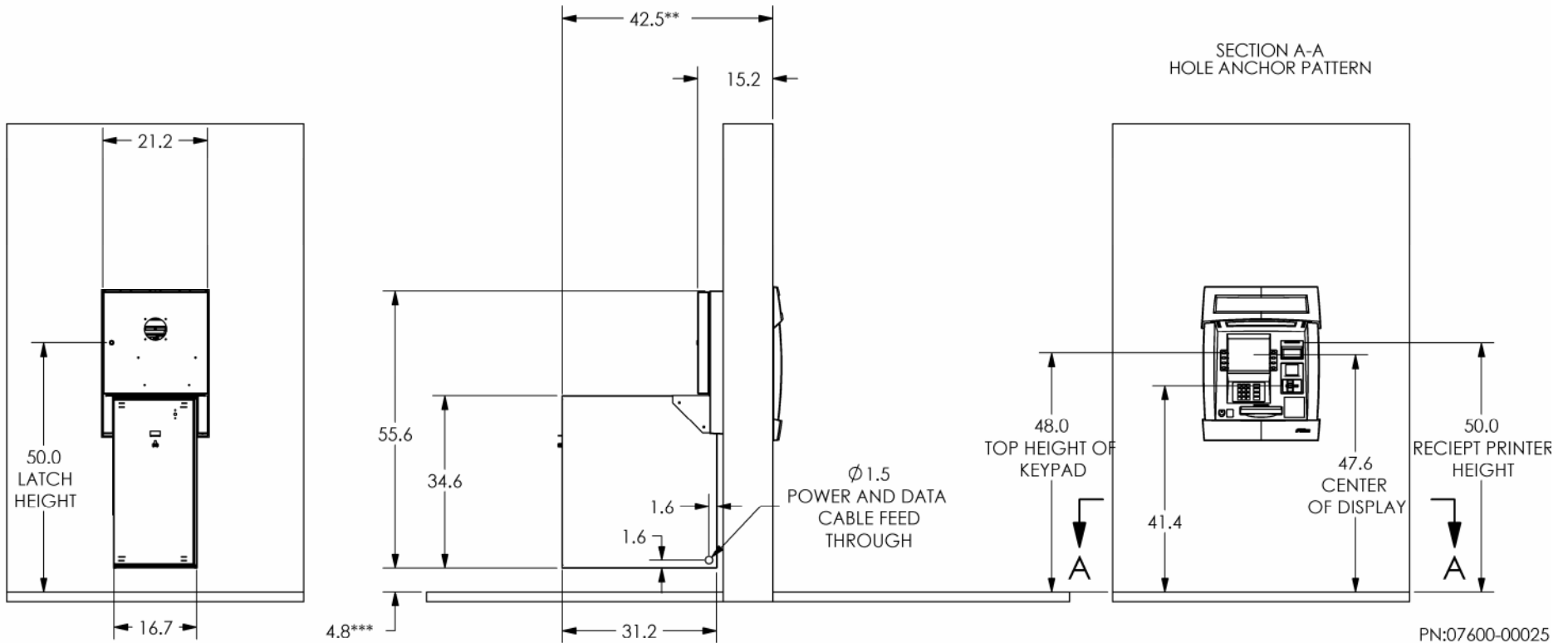
**SUBTRACT THICKNESS OF THE WALL TO DETERMINE DISTANCE FROM THE INSIDE WALL TO THE BACK OF THE CABINET.

***DISTANCE IF INSIDE AND OUTSIDE PLATFORM ARE THE SAME HEIGHT

TRITON MODEL FT5000 CASH DISPENSER



SECTION A-A
 HOLE ANCHOR PATTERN





A DOVER INDUSTRIES COMPANY

*DIMENSIONS LISTED COMPLY WITH US FEDERAL ADA GUIDELINES. FOR USA INSTALLATIONS, CHECK FOR ADDITIONAL GUIDANCE. FOR NON-USA INSTALLATIONS, CHECK REGULATIONS RELATING TO THE COUNTRY OF INSTALL.

TRITON MODEL FT5000 CASH DISPENSER

