



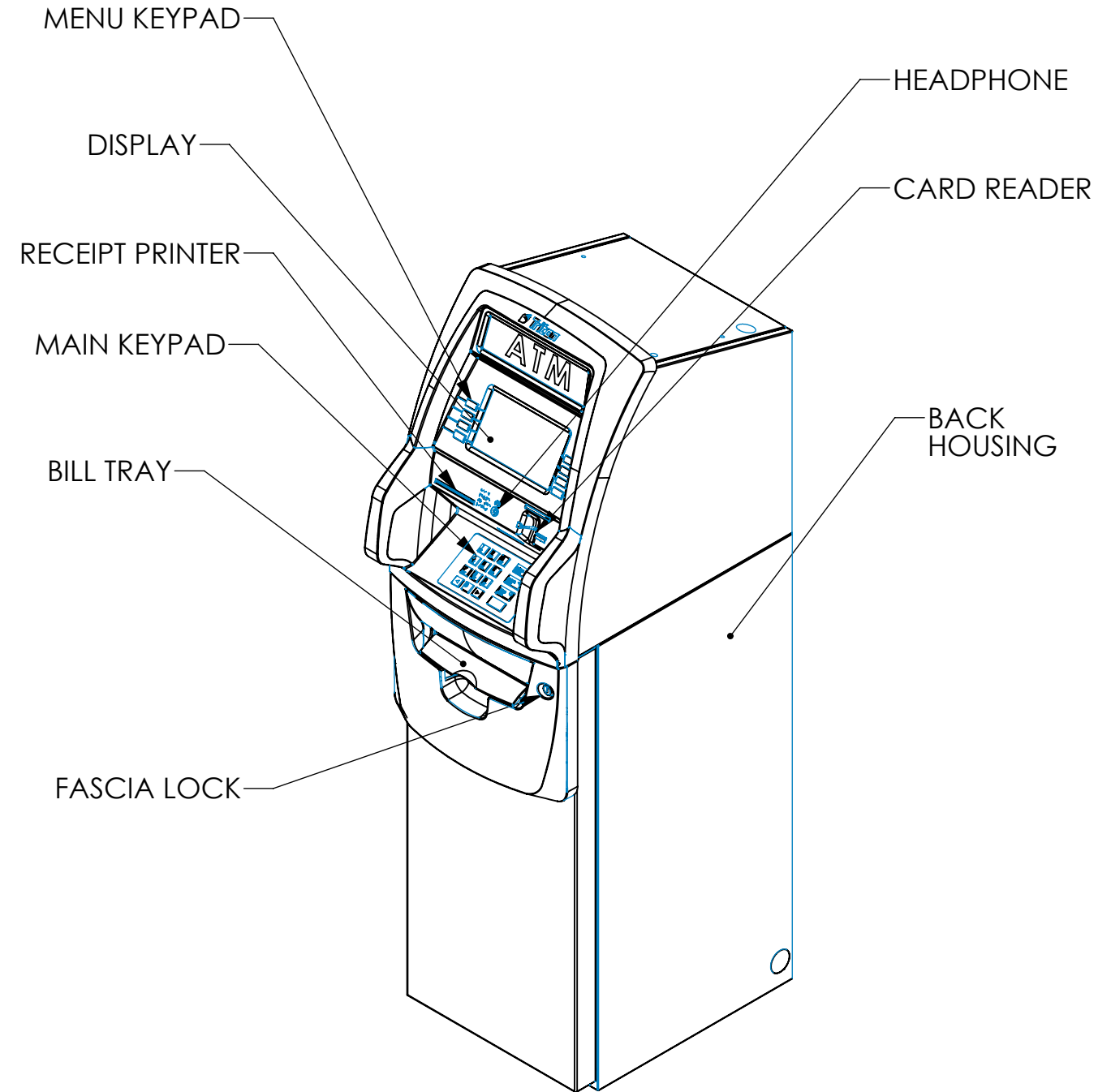
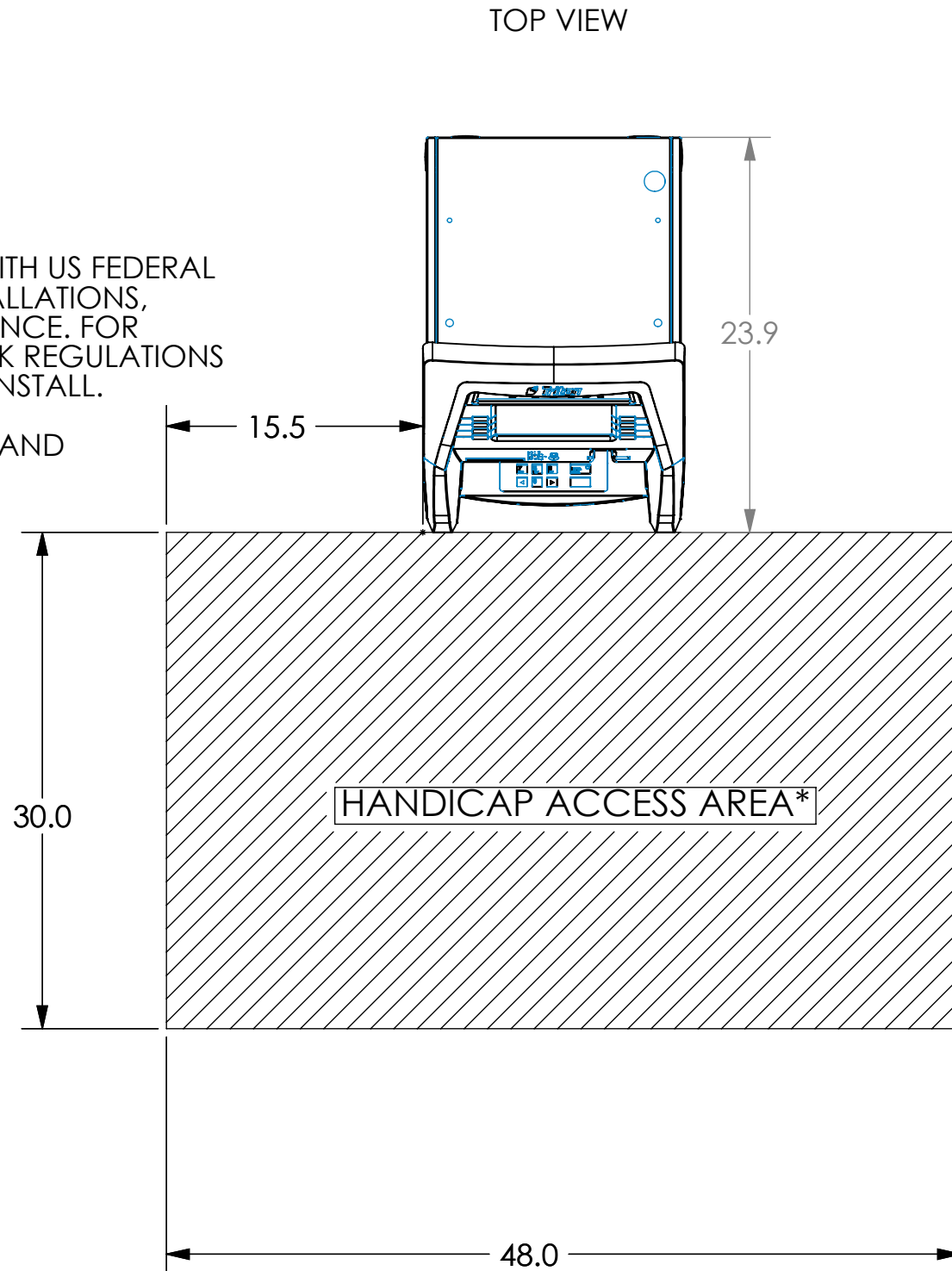
# TRITON MODEL RL 3300 CASH DISPENSER

REVISIONS				
ECO	REV.	DESCRIPTION	DATE	APPROVED
	1	DRAWING CREATION	5/14/2010	SB
	2	ANCHORING HOLES AND LEVELING HOLES SPECIFIED, MODEL RENAMED	7/29/2010	SB
	3	ADDED SHEET 6 FOR ANCHORING POINTS	9/23/2010	M.T.

21405 B STREET  
 LONG BEACH, MS 39560  
 PHONE: (228) 575-3100  
 FAX: (228) 575-3101

\*DIMENSIONS LISTED COMPLY WITH US FEDERAL ADA GUIDELINES. FOR USA INSTALLATIONS, CHECK FOR ADDITIONAL GUIDANCE. FOR NON-USA INSTALLATIONS, CHECK REGULATIONS RELATING TO THE COUNTRY OF INSTALL.

DIMENSIONS SHOWN IN INCHES AND [MILLIMETERS]



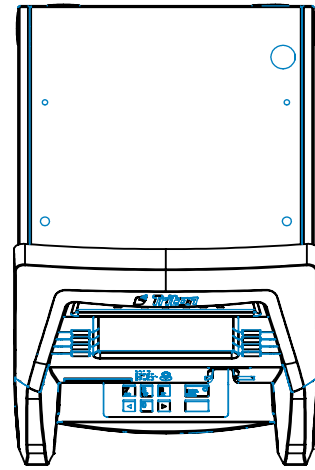
ISOMETRIC VIEW



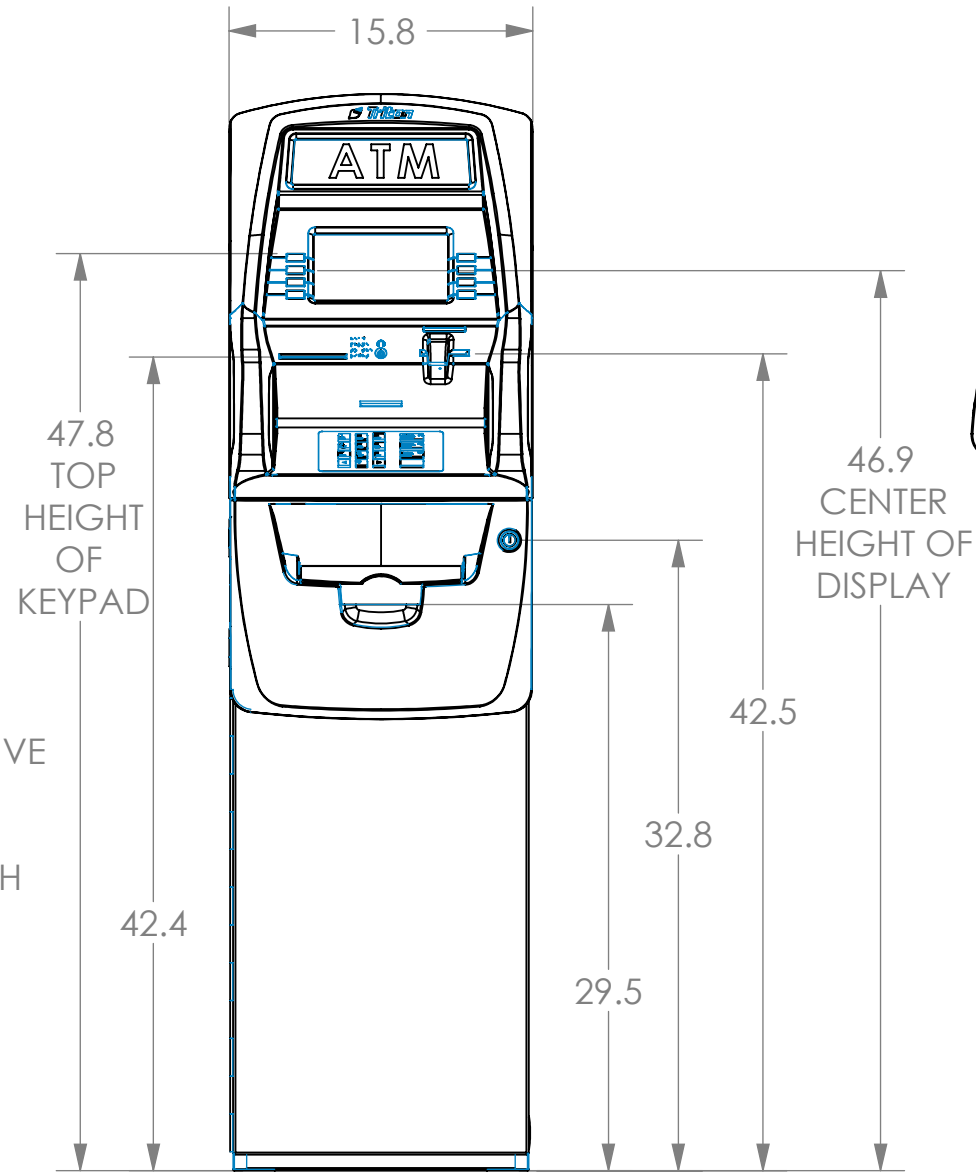
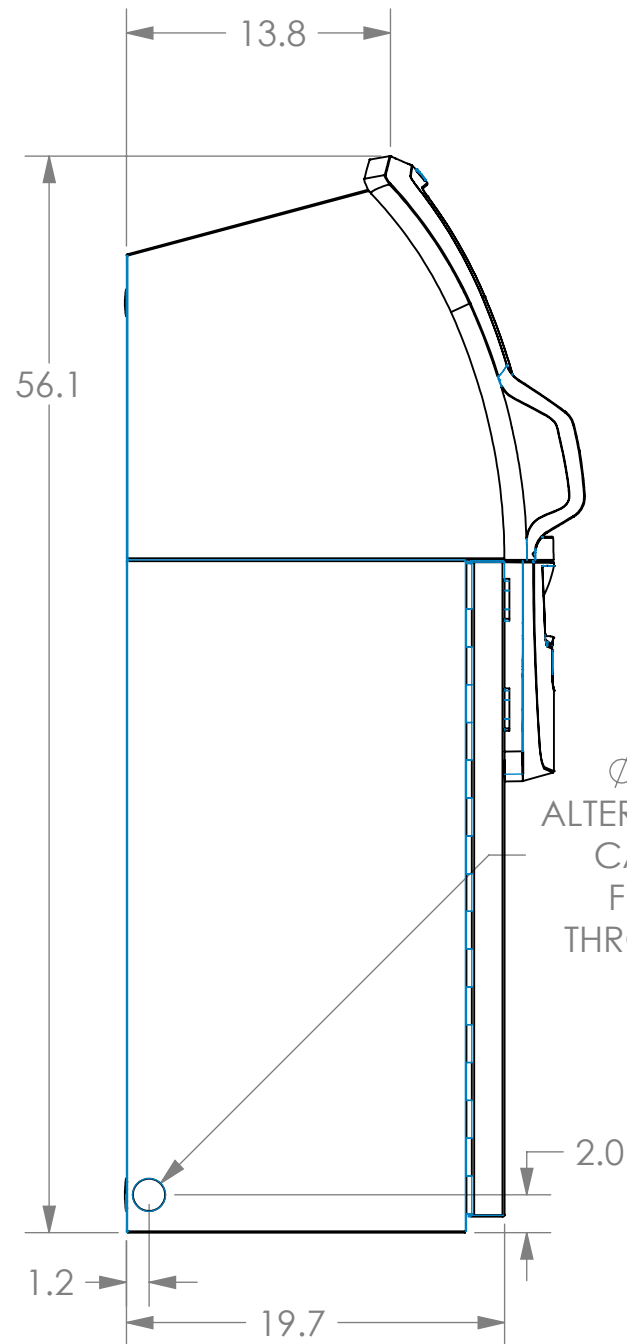
# TRITON MODEL RL 3300 CASH DISPENSOR

21405 B STREET  
 LONG BEACH, MS 39560  
 PHONE: (228) 575-3100  
 FAX: (228) 575-3101

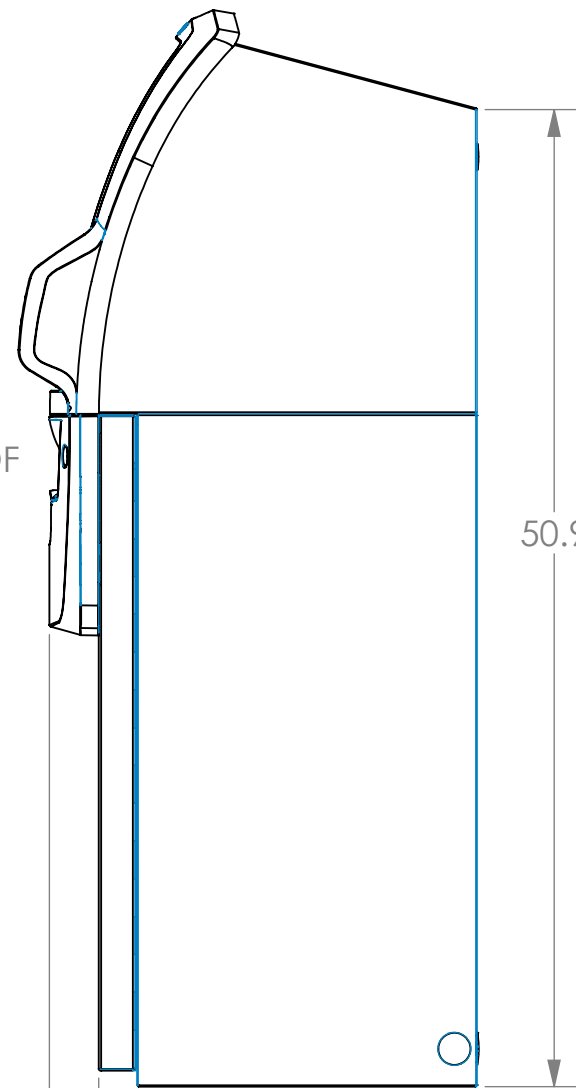
DIMENSIONS SHOWN IN INCHES AND  
 [MILLIMETERS]



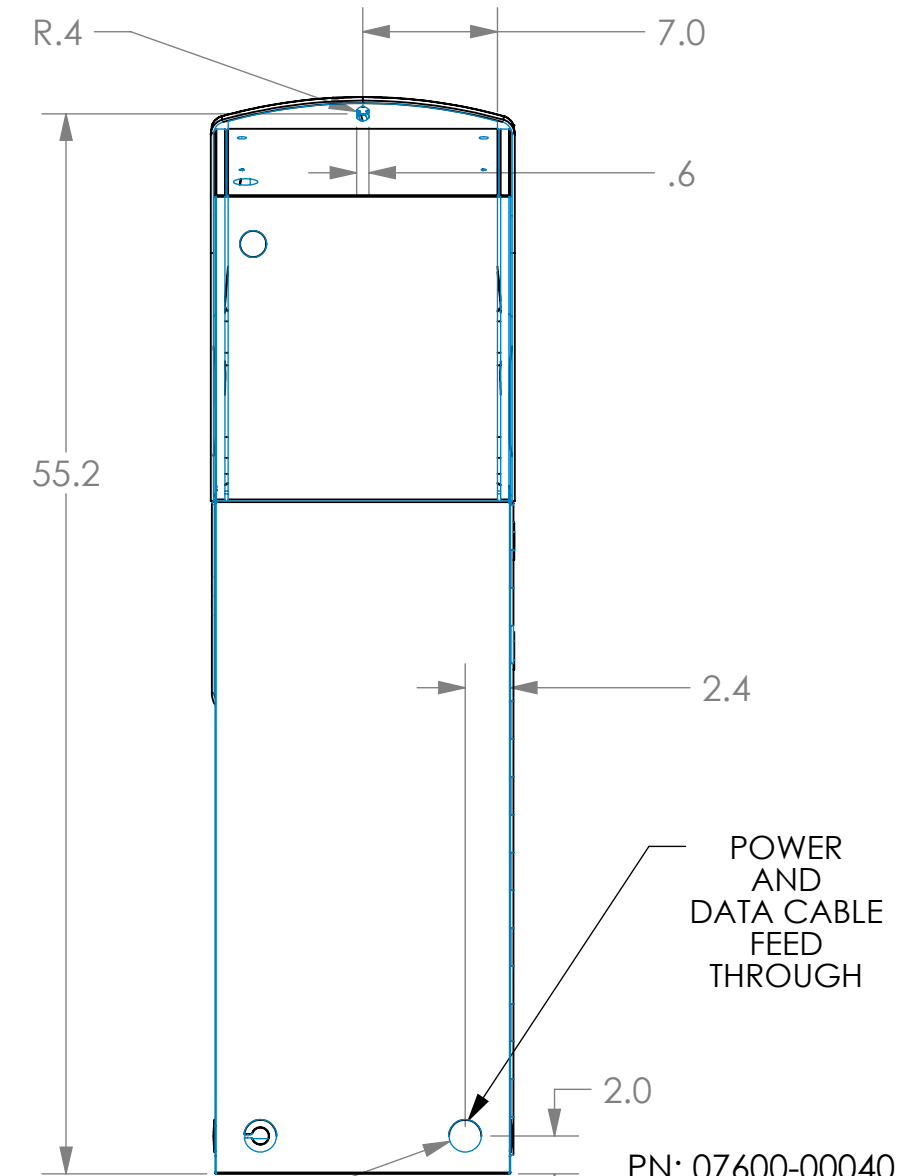
TOP VIEW



FRONT VIEW



RIGHT VIEW



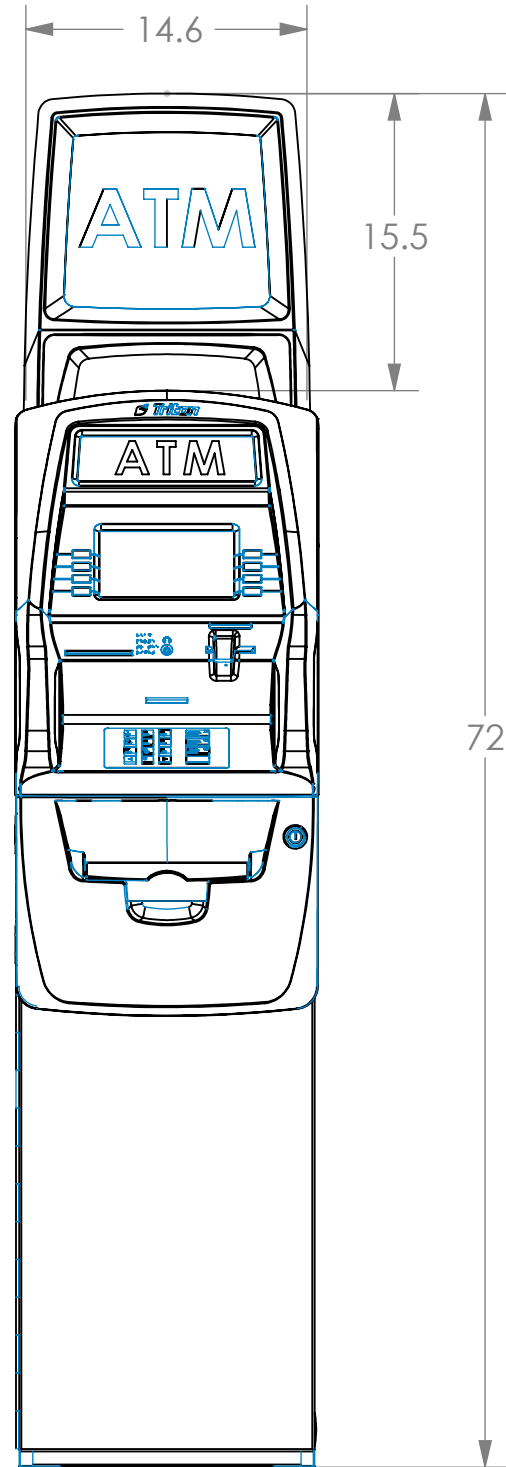
BACK VIEW

POWER  
 AND  
 DATA CABLE  
 FEED  
 THROUGH

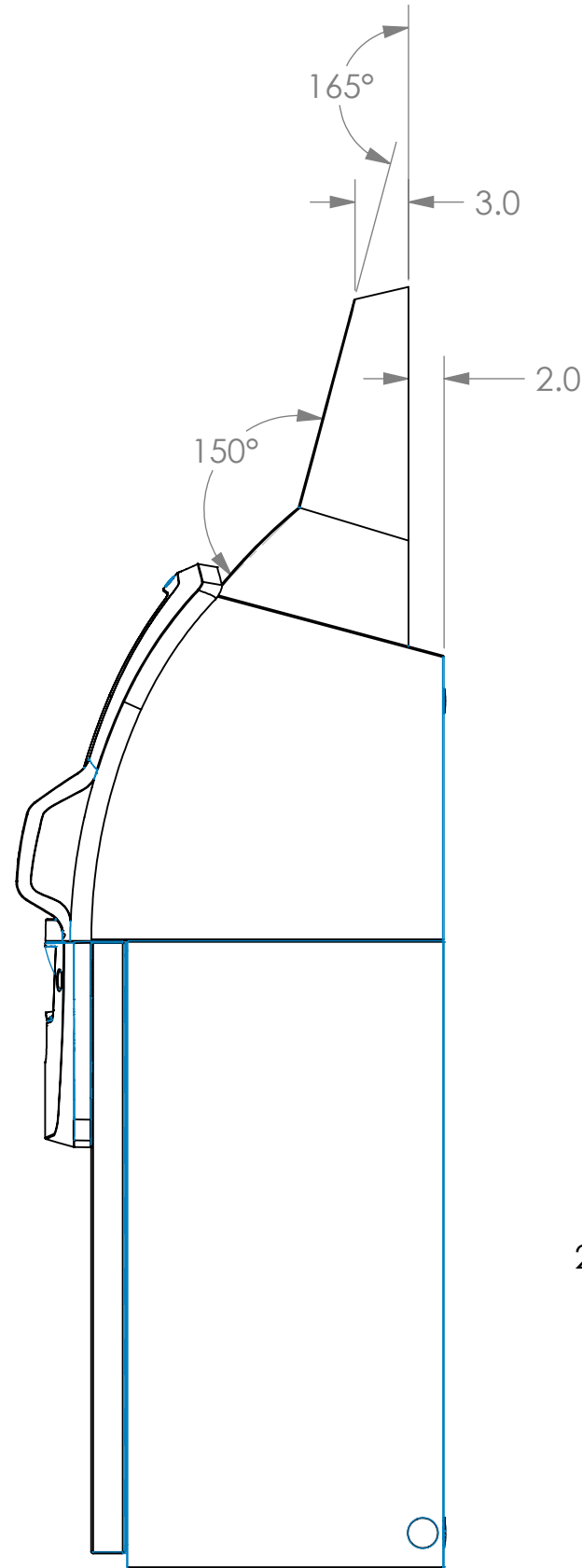
# TRITON MODEL RL 3300 CASH DISPENSER WITH HIGH TOPPER

21405 B STREET  
LONG BEACH, MS 39560  
PHONE: (228) 575-3100  
FAX: (228) 575-3101

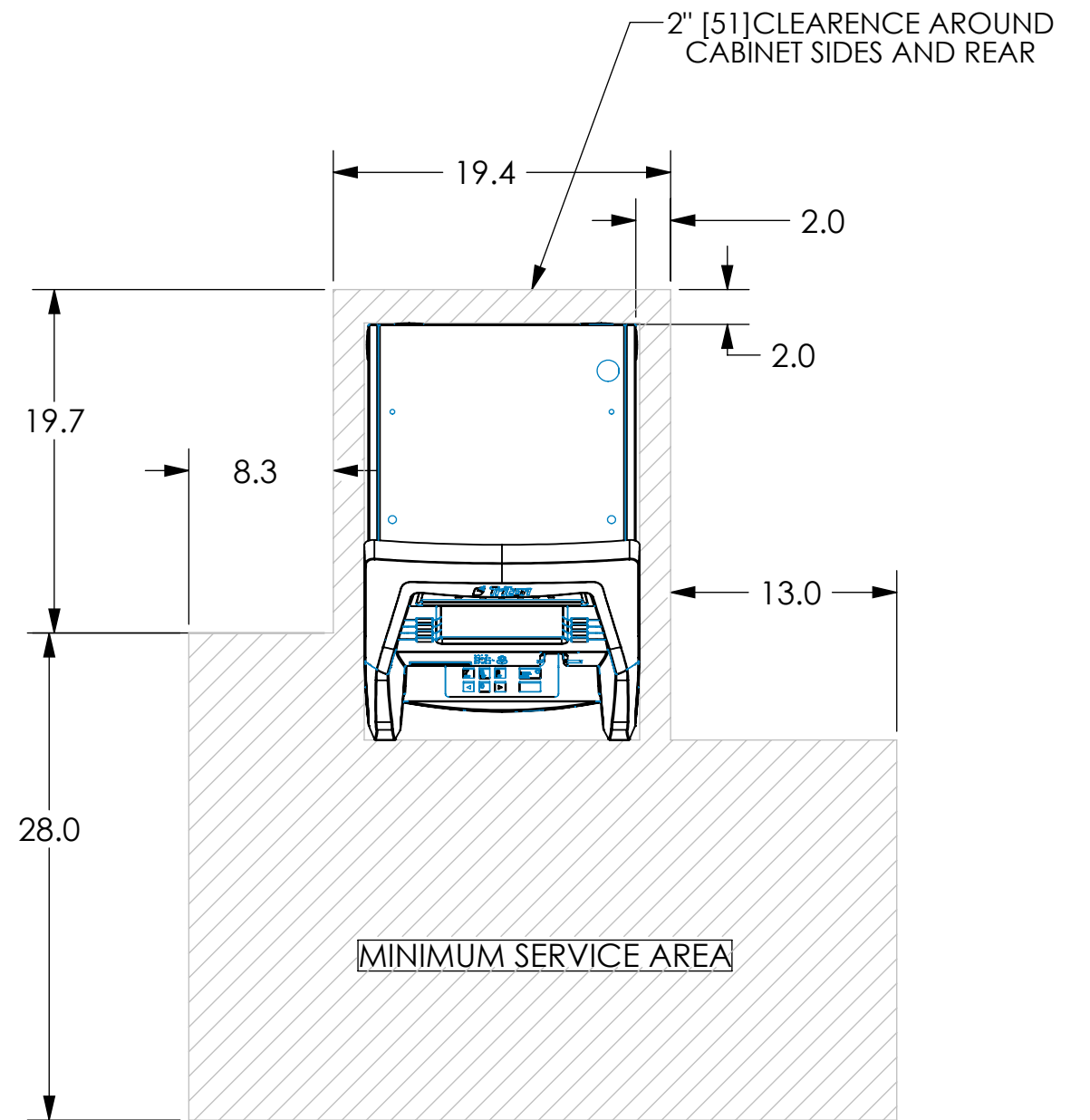
DIMENSIONS SHOWN IN INCHES AND  
[MILLIMETERS]



FRONT VIEW



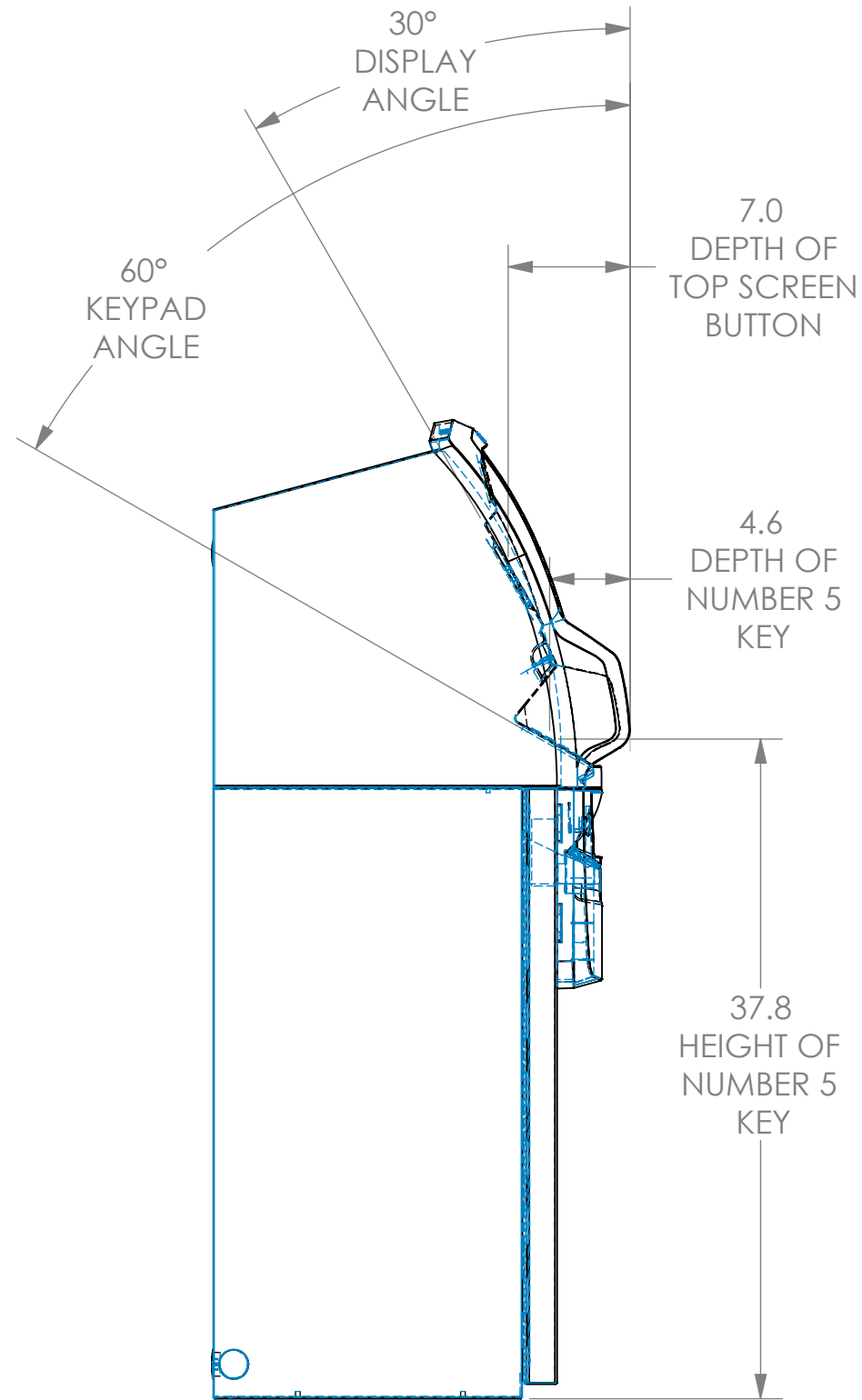
RIGHT VIEW



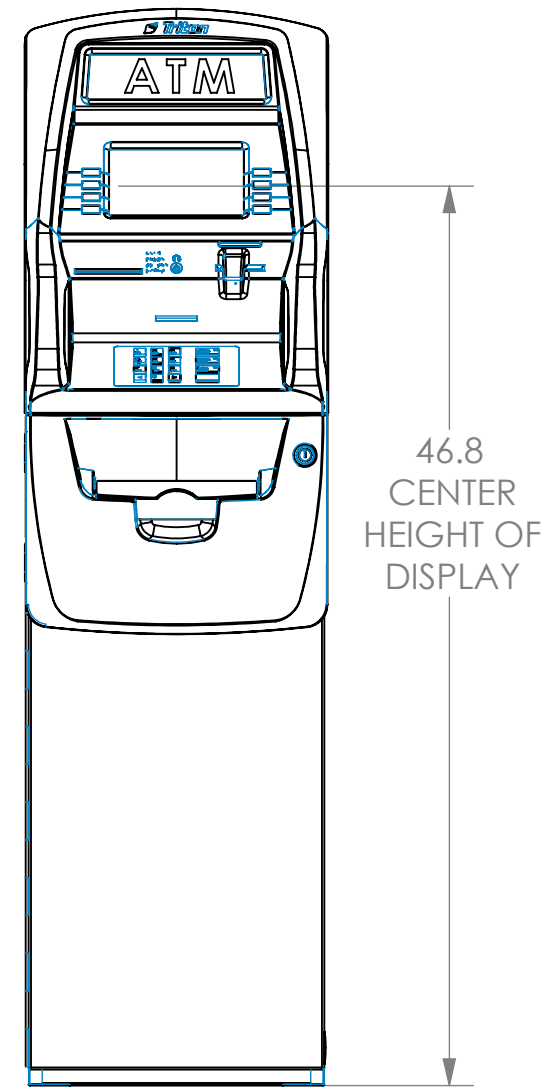
TOP VIEW

# TRITON MODEL RL 3300 CASH DISPENSER GENERAL ACCESSIBILITY DIMENSIONS

21405 B STREET  
LONG BEACH, MS 39560  
PHONE: (228) 575-3100  
FAX: (228) 575-3101



LEFT VIEW

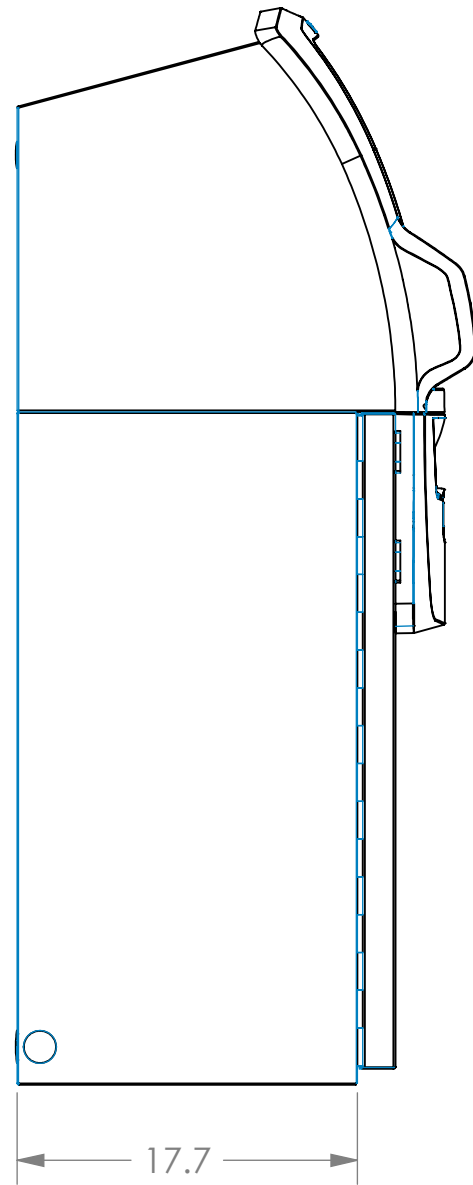


FRONT VIEW

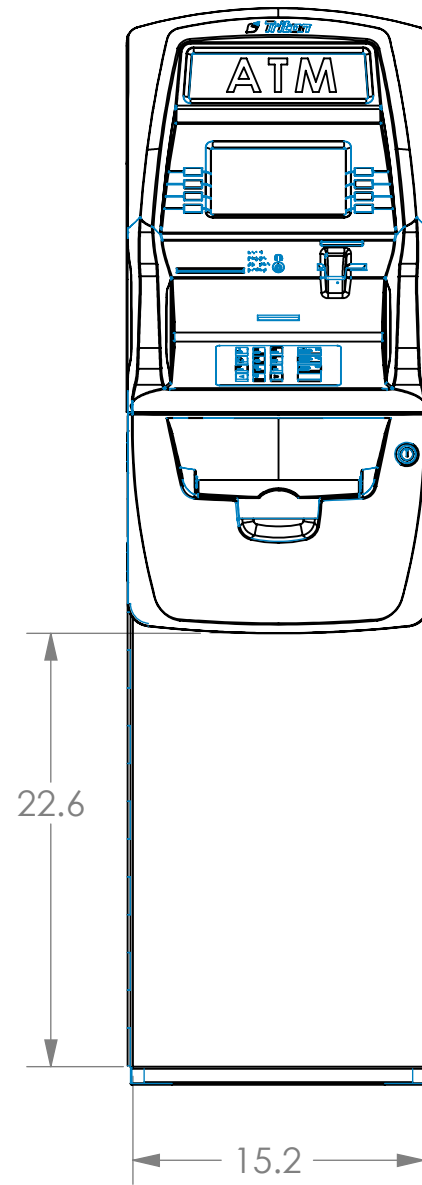
# TRITON MODEL RL 3300 CASH DISPENSER DECAL AREA

21405 B STREET  
LONG BEACH, MS 39560  
PHONE: (228) 575-3100  
FAX: (228) 575-3101

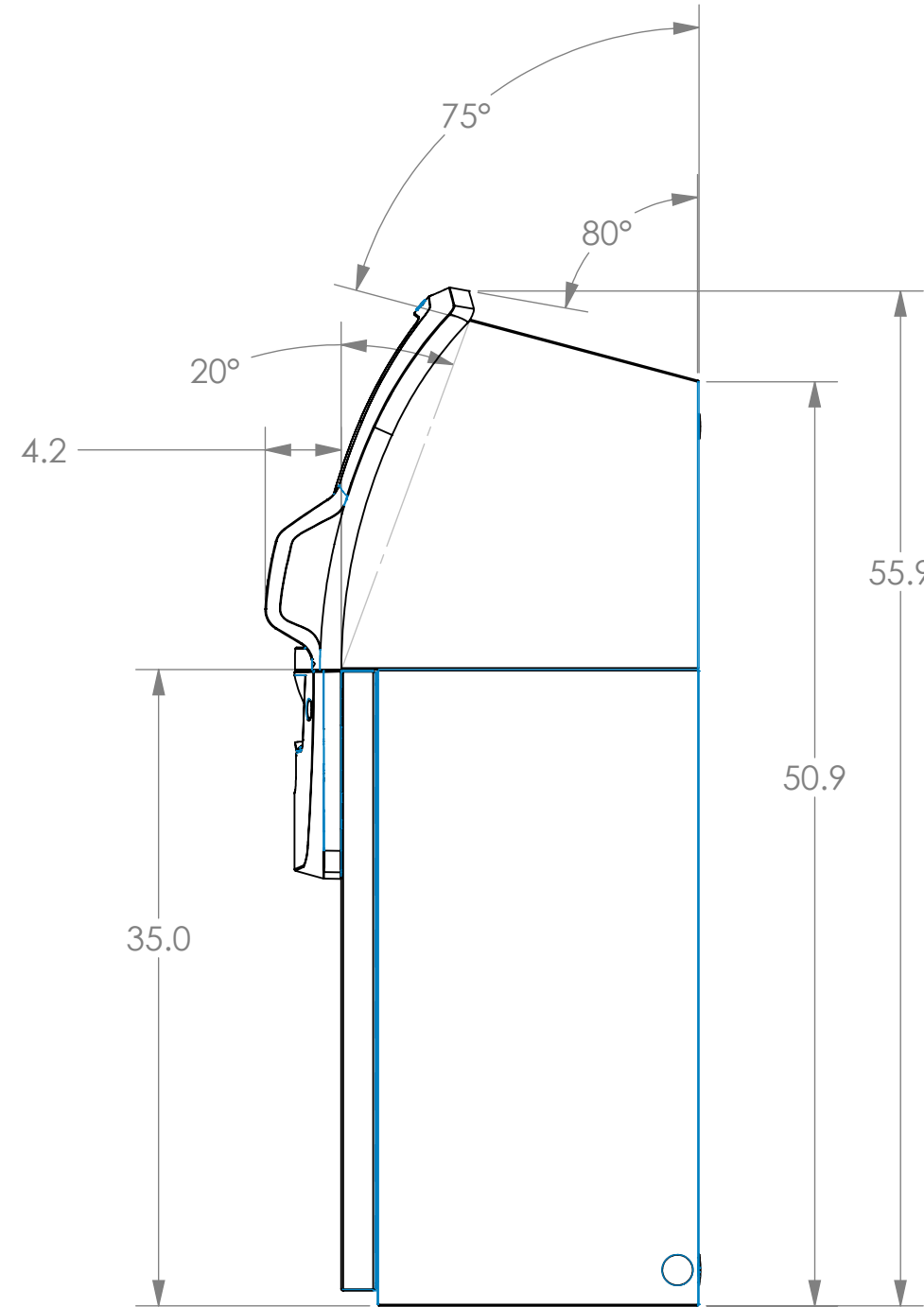
DIMENSIONS SHOWN IN INCHES AND  
[MILLIMETERS]



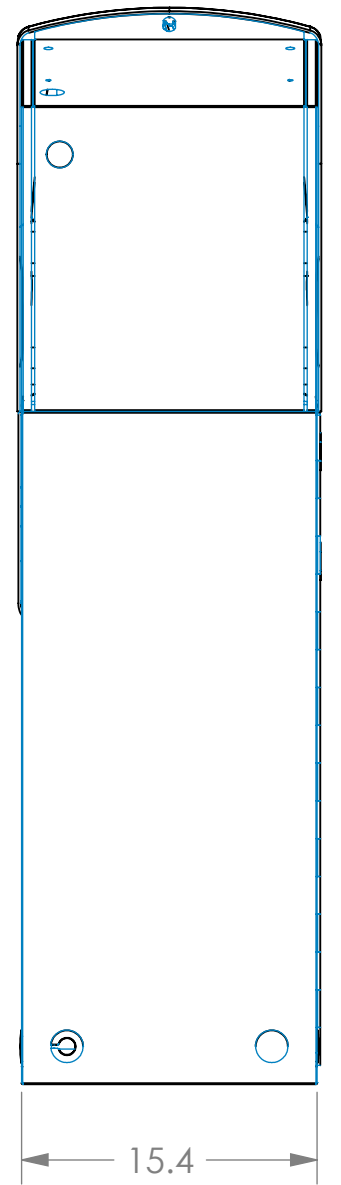
LEFT VIEW



FRONT VIEW



RIGHT VIEW



BACK VIEW

# TRITON MODEL RL3300 CASH DISPENSER ANCHOR POINTS

21405 B STREET  
LONG BEACH, MS 39560  
PHONE: (228) 575-3100  
FAX: (228) 575-3101

TRITON ANCHOR POINTS:  
RL2000, RL5000, 9100, 9600 DEEP  
A1, A2, A5, A6

RL1600, 9600 SHALLOW  
A3, A4, A5, A6

HANTLE ANCHOR POINTS:  
1700  
B1, B2, B3, B4

