

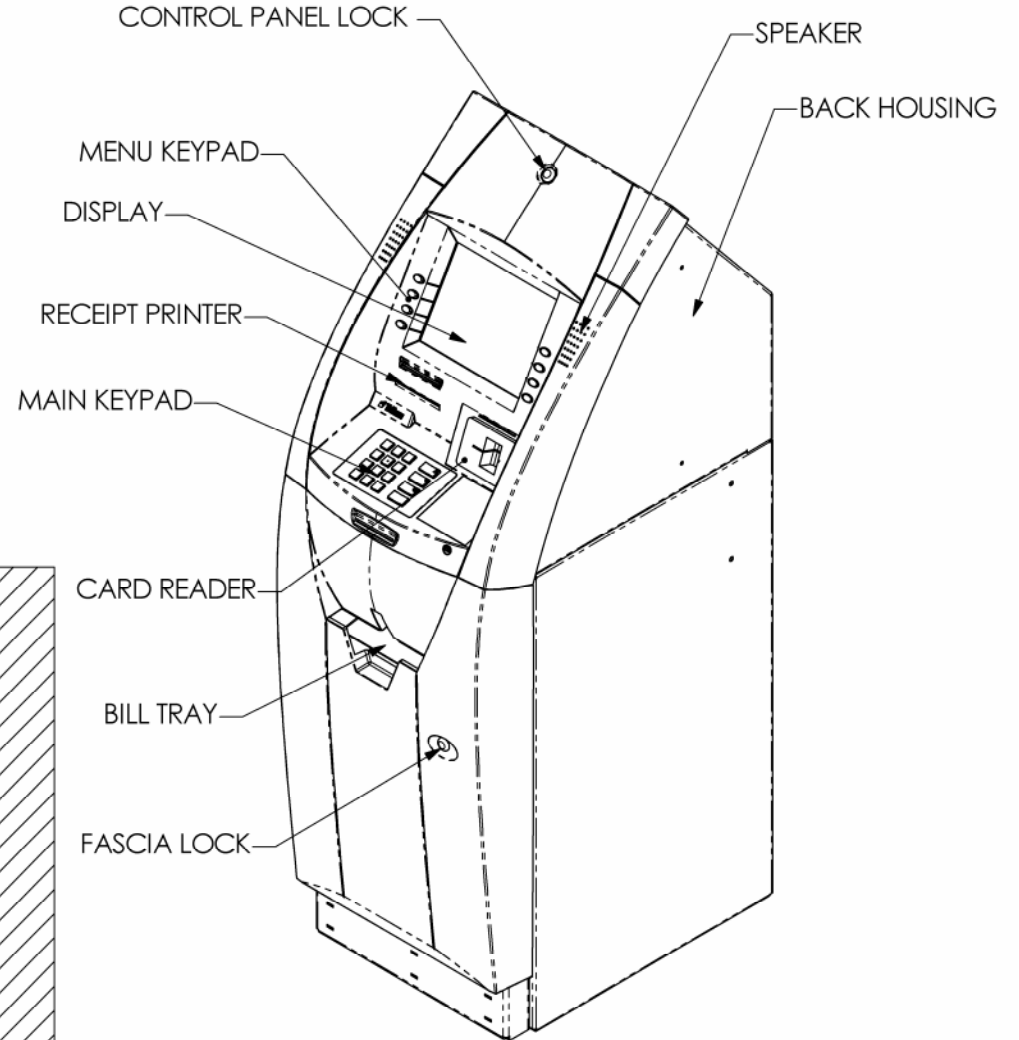
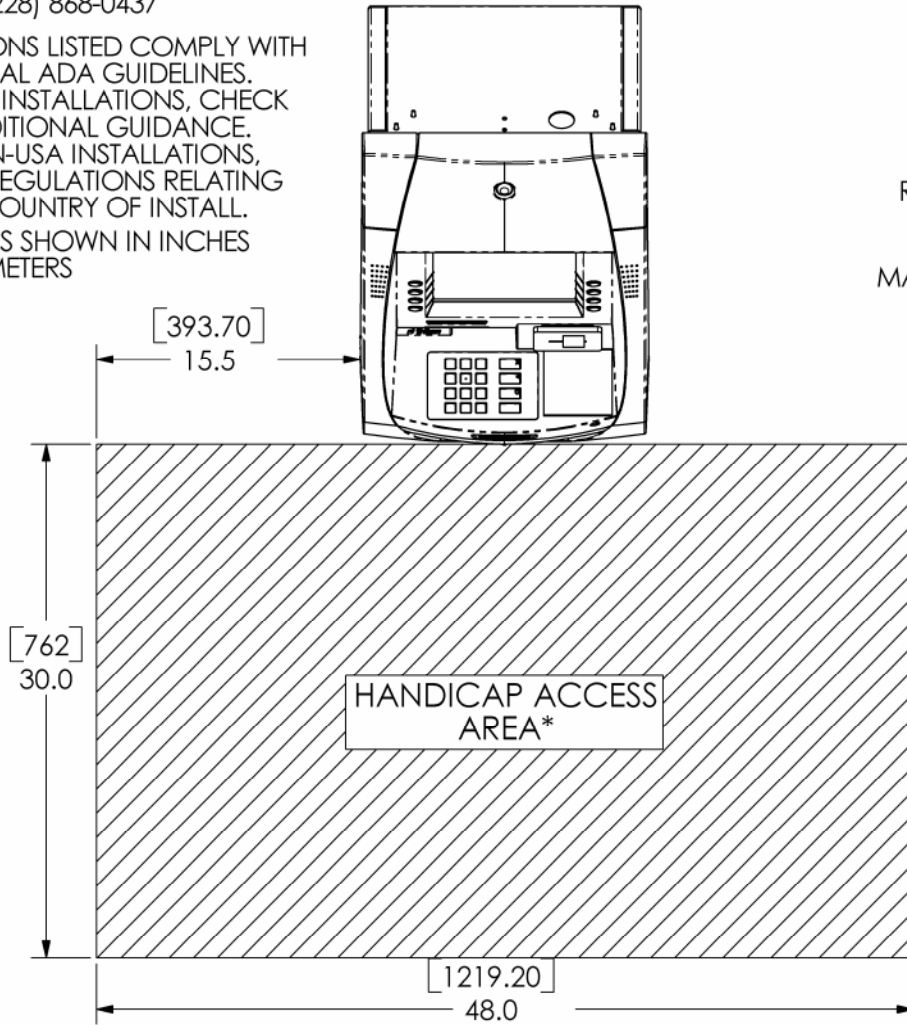


# TRITON MODEL RL5000 CASH DISPENSER

522 EAST RAILROAD STREET  
 LONG BEACH, MS 39560  
 PHONE: (228) 868-1317  
 FAX: (228) 868-0437

\*DIMENSIONS LISTED COMPLY WITH US FEDERAL ADA GUIDELINES. FOR USA INSTALLATIONS, CHECK FOR ADDITIONAL GUIDANCE. FOR NON-USA INSTALLATIONS, CHECK REGULATIONS RELATING TO THE COUNTRY OF INSTALL.

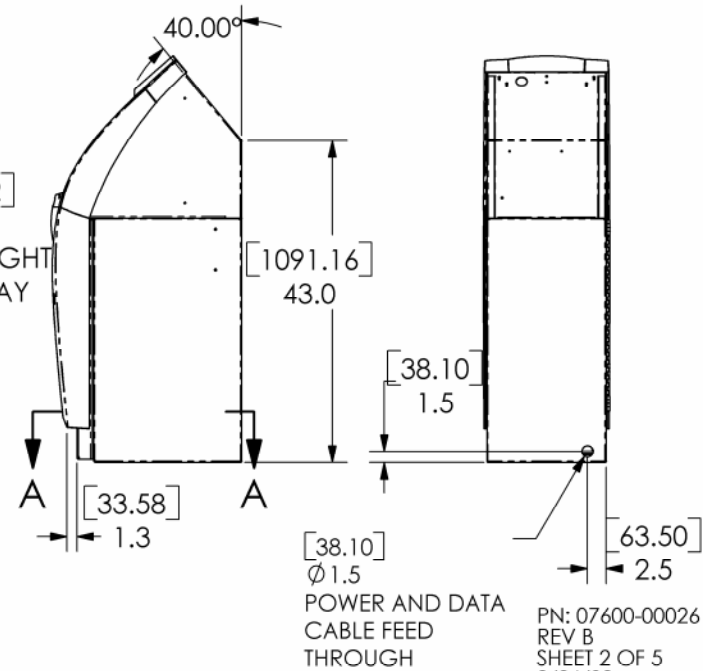
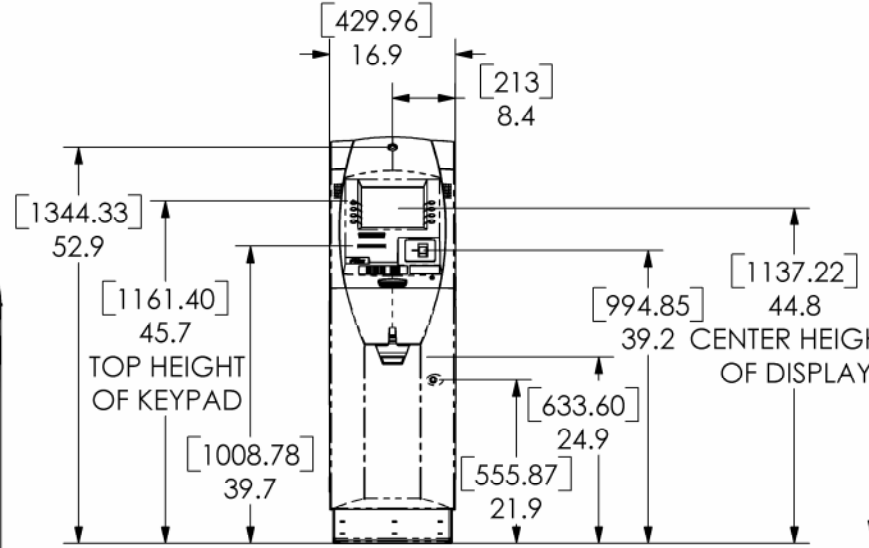
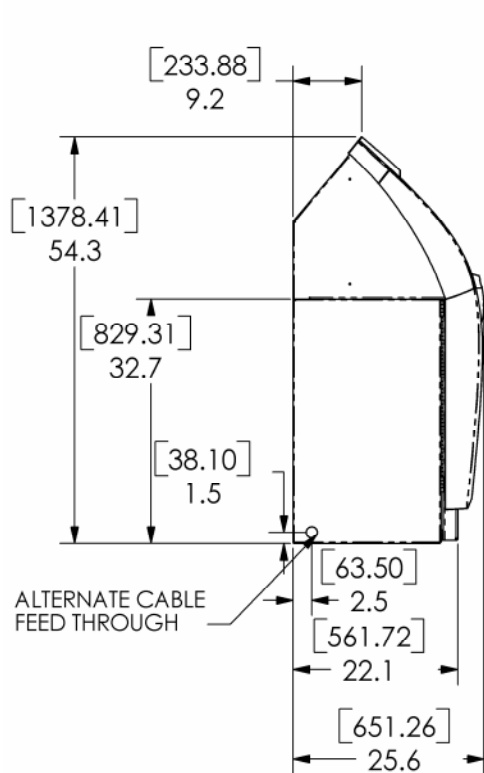
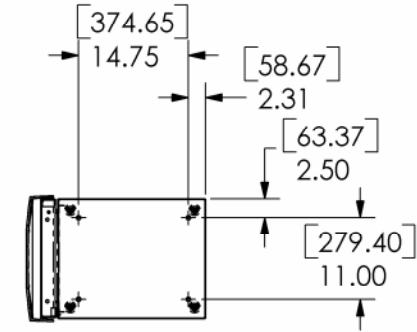
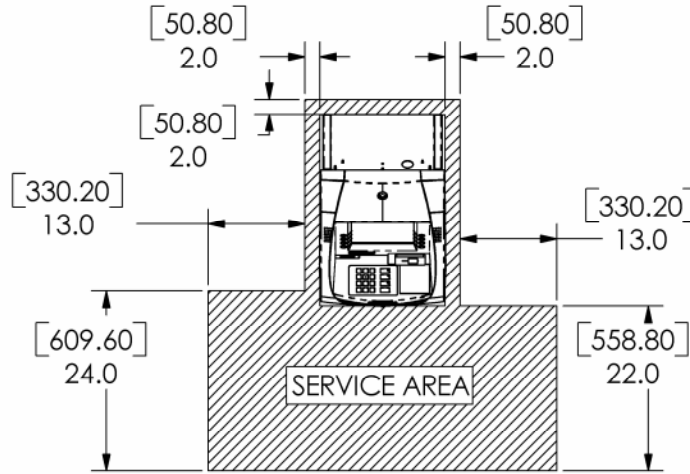
DIMENSIONS SHOWN IN INCHES AND MILLIMETERS





522 EAST RAILROAD STREET  
 LONG BEACH, MS 39560  
 PHONE: (228) 868-1317  
 FAX: (228) 868-0437  
 DIMENSIONS SHOWN IN INCHES  
 AND MILLIMETERS

# TRITON MODEL RL5000 CASH DISPENSER



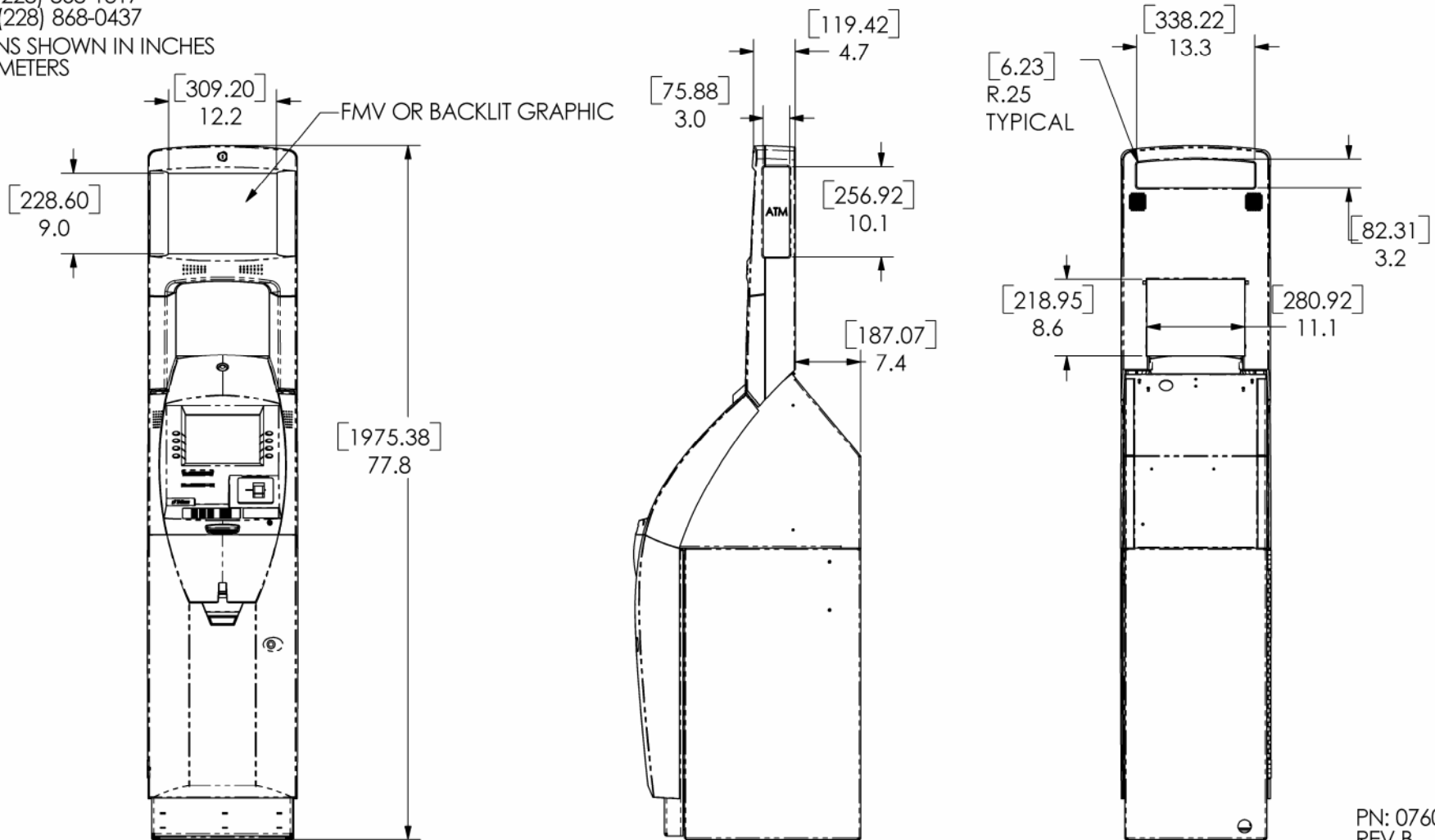
PN: 07600-00026  
 REV B  
 SHEET 2 OF 5  
 9/26/03



# RL5000 CASH DISPENSER WITH HIGHTOPPER

522 EAST RAILROAD STREET  
 LONG BEACH, MS 39560  
 PHONE: (228) 868-1317  
 FAX: (228) 868-0437

DIMENSIONS SHOWN IN INCHES  
 AND MILLIMETERS

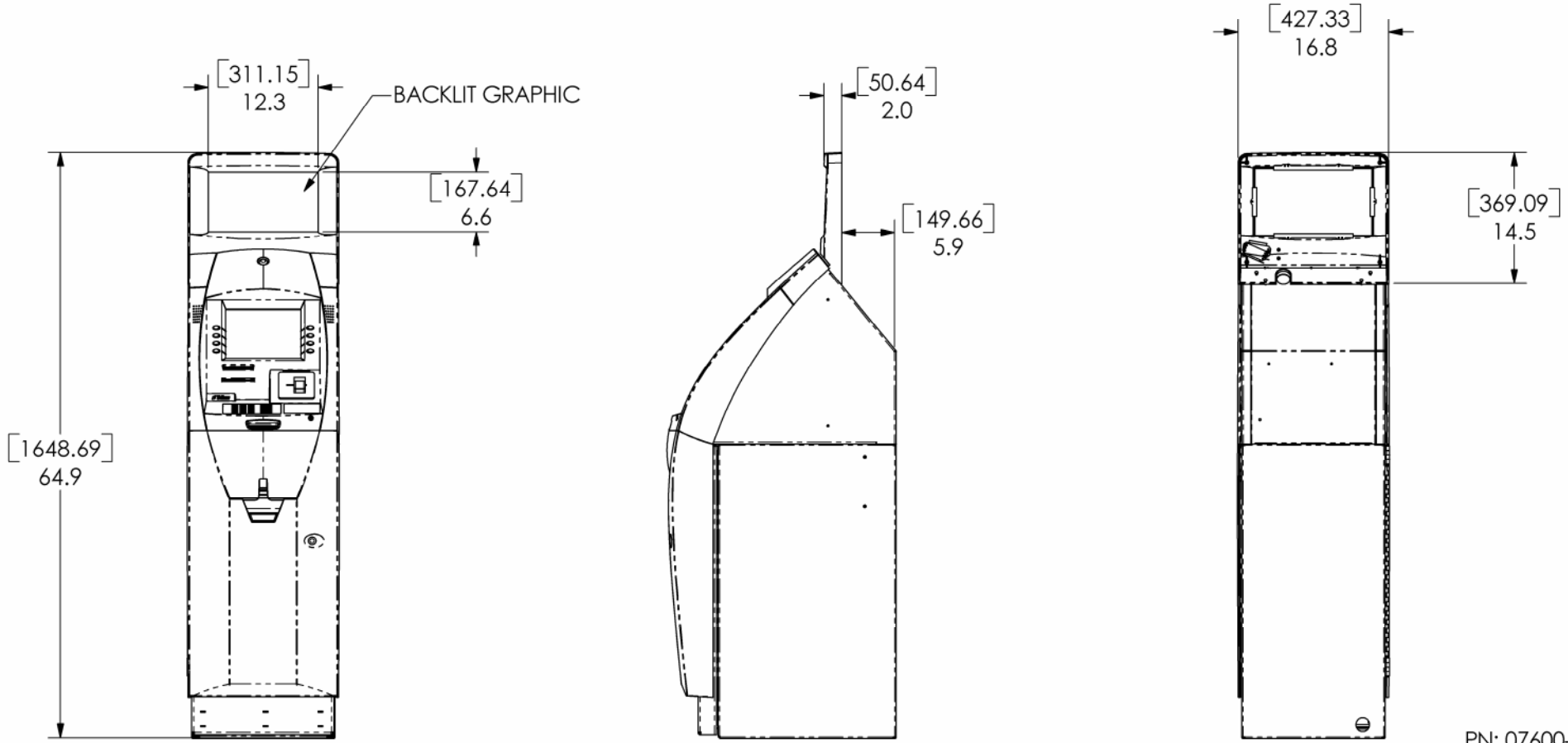


PN: 07600-00026  
 REV B  
 SHEET 3 OF 5  
 9/26/03



# RL5000 CASH DISPENSER WITH MIDTOPPER

522 EAST RAILROAD STREET  
 LONG BEACH, MS 39560  
 PHONE: (228) 868-1317  
 FAX: (228) 868-0437  
 DIMENSIONS SHOWN IN INCHES  
 AND MILLIMETERS



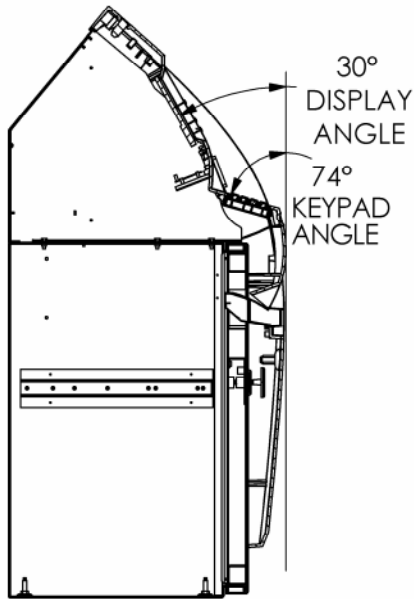
PN: 07600-00026  
 REV B  
 SHEET 4 OF 5  
 9/26/03



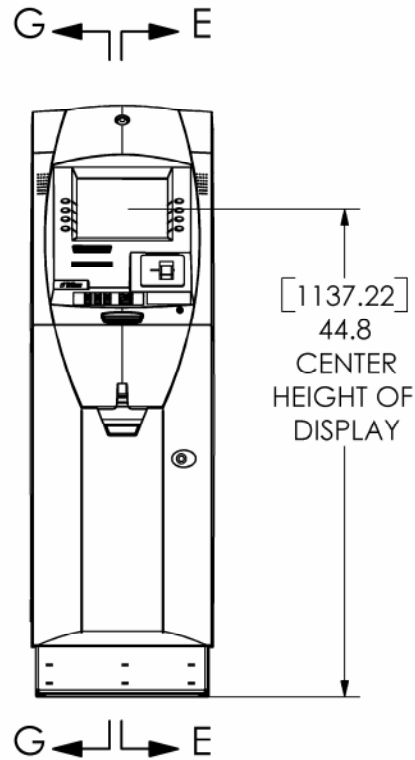
# TRITON MODEL RL5000 CASH DISPENSER

522 EAST RAILROAD STREET  
 LONG BEACH, MS 39560  
 PHONE: (228) 868-1317  
 FAX: (228) 868-0437

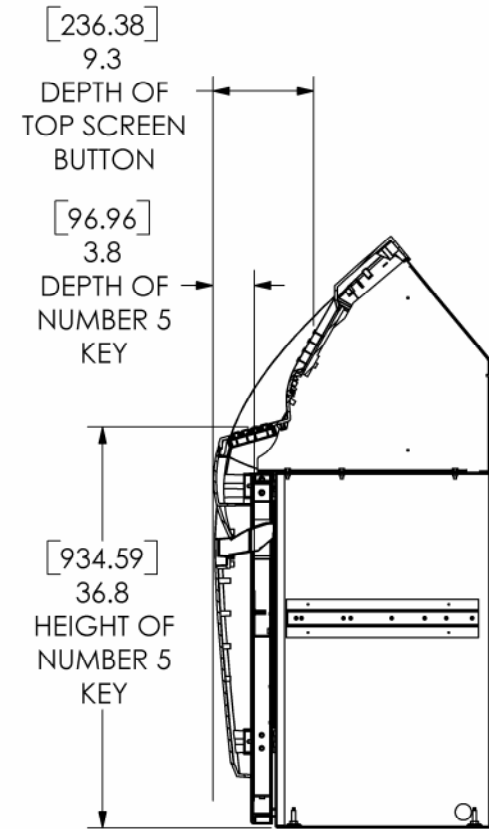
DIMENSIONS SHOWN IN INCHES  
 AND MILLIMETERS



SECTION E-E



SECTION G-G



## GENERAL ACCESSIBILITY DIMENSIONS