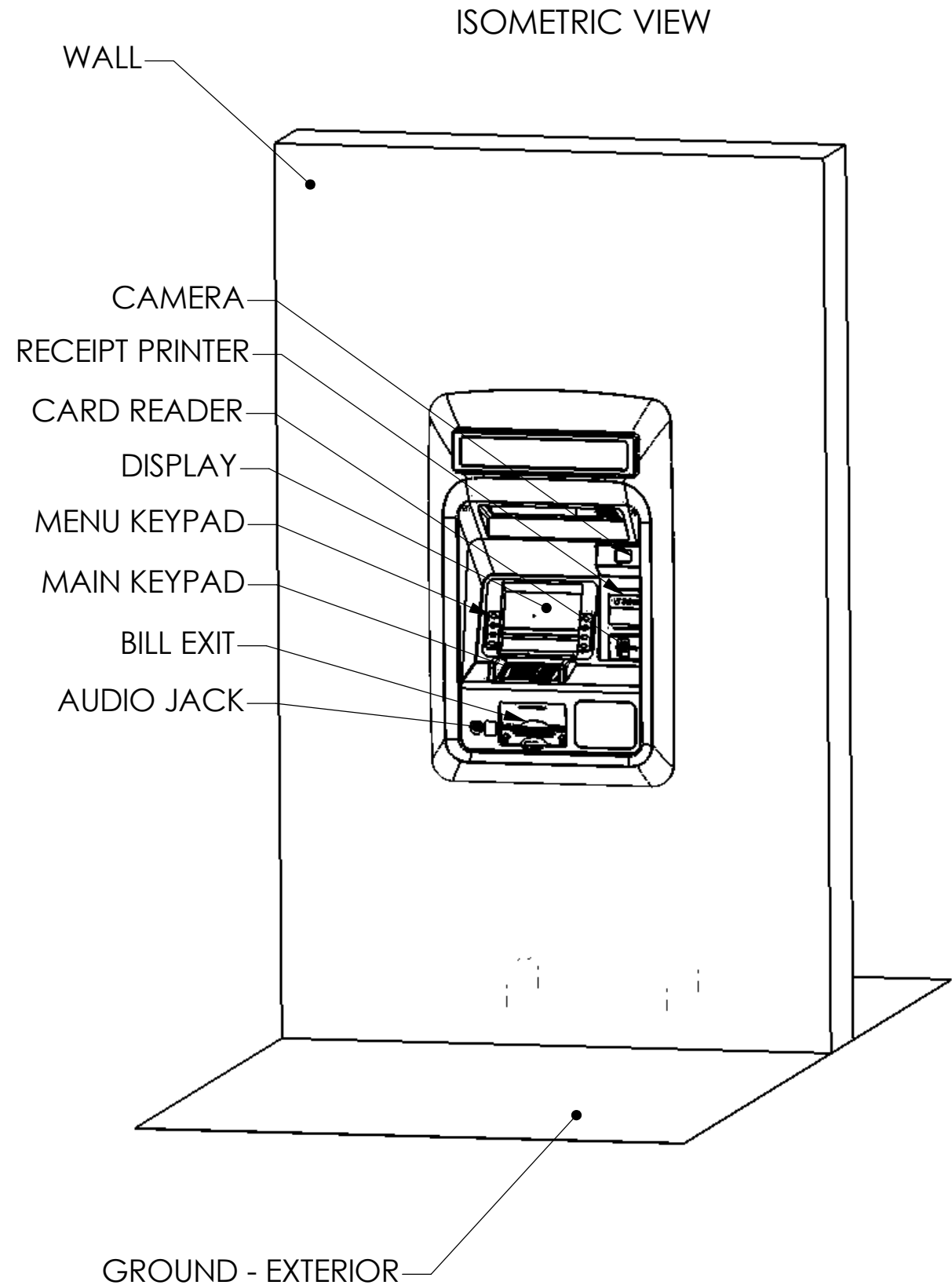
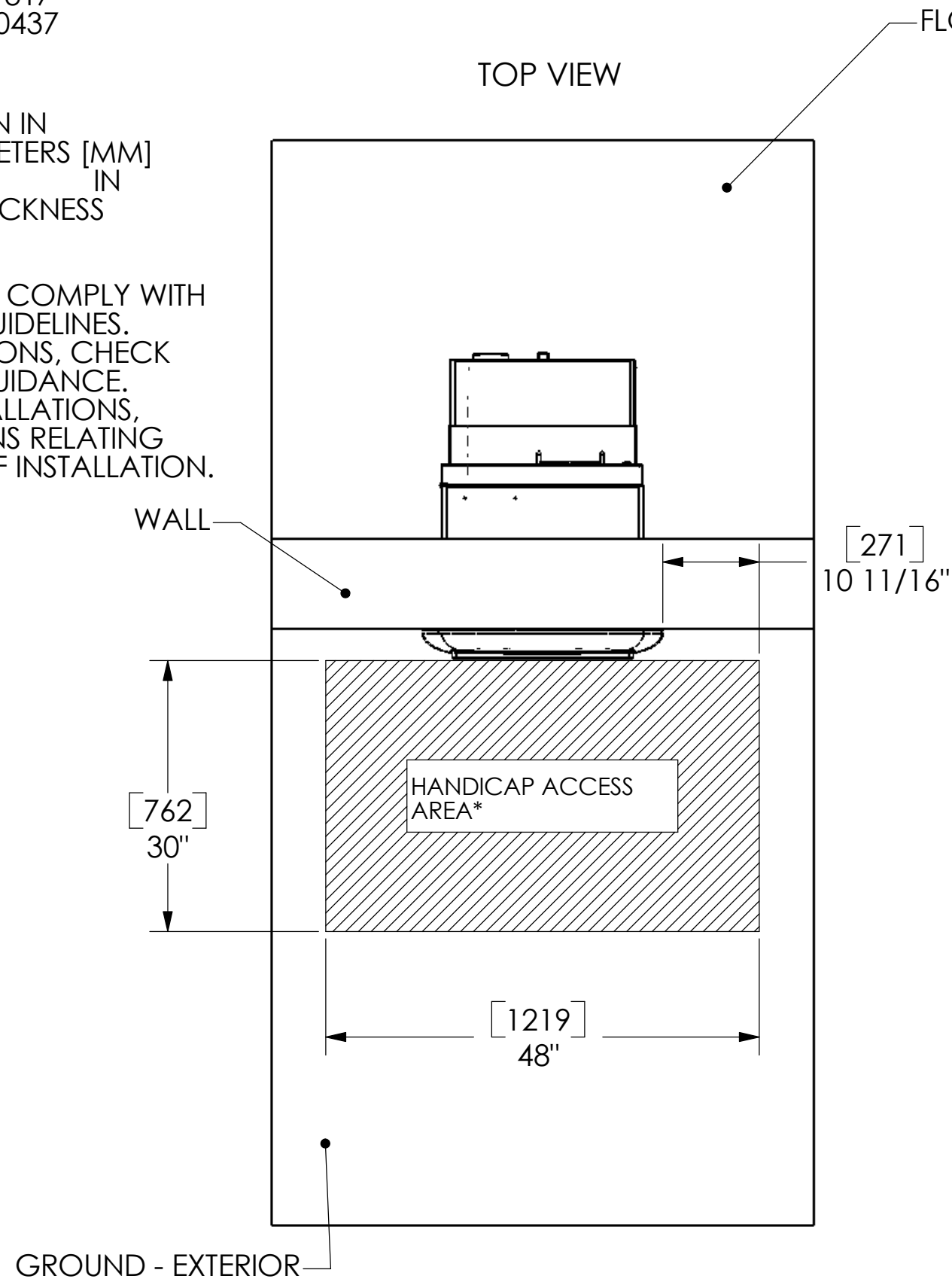


TRITON MODEL RT2000 BUSINESS HOURS CASH DISPENSER DDA INSTALLATION GUIDELINES

522 EAST RAILROAD STREET
 LONG BEACH, MS 39560
 PHONE: (228) 868-1317
 FAX: (228) 868-0437

DIMENSIONS SHOWN IN
 INCHES AND MILLIMETERS [MM]
 IN
 MAXIMUM WALL THICKNESS
 11.5 IN. [279 MM]

*DIMENSIONS LISTED COMPLY WITH
 US FEDERAL ADA GUIDELINES.
 FOR USA INSTALLATIONS, CHECK
 FOR ADDITIONAL GUIDANCE.
 FOR NON-USA INSTALLATIONS,
 CHECK REGULATIONS RELATING
 TO THE COUNTRY OF INSTALLATION.

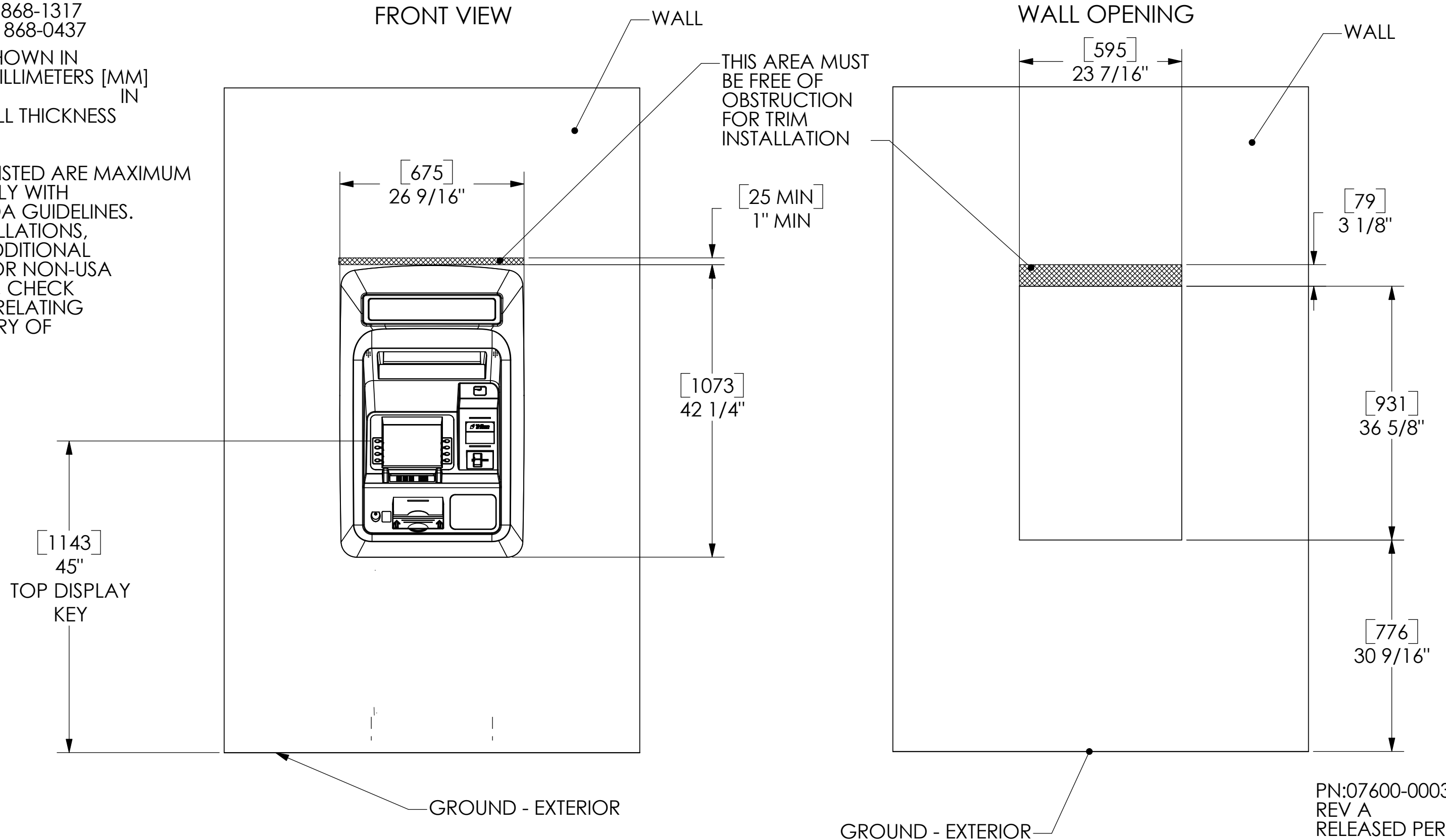


TRITON MODEL RT2000 BUSINESS HOURS CASH DISPENSER DDA INSTALLATION GUIDELINES

522 EAST RAILROAD STREET
 LONG BEACH, MS 39560
 PHONE: (228) 868-1317
 FAX: (228) 868-0437

DIMENSIONS SHOWN IN
 INCHES AND MILLIMETERS [MM]
 IN
 MAXIMUM WALL THICKNESS
 11.5 IN. [279]

*DIMENSIONS LISTED ARE MAXIMUM
 WHICH COMPLY WITH
 US FEDERAL ADA GUIDELINES.
 FOR USA INSTALLATIONS,
 CHECK FOR ADDITIONAL
 GUIDANCE. FOR NON-USA
 INSTALLATIONS, CHECK
 REGULATIONS RELATING
 TO THE COUNTRY OF
 INSTALLATION.

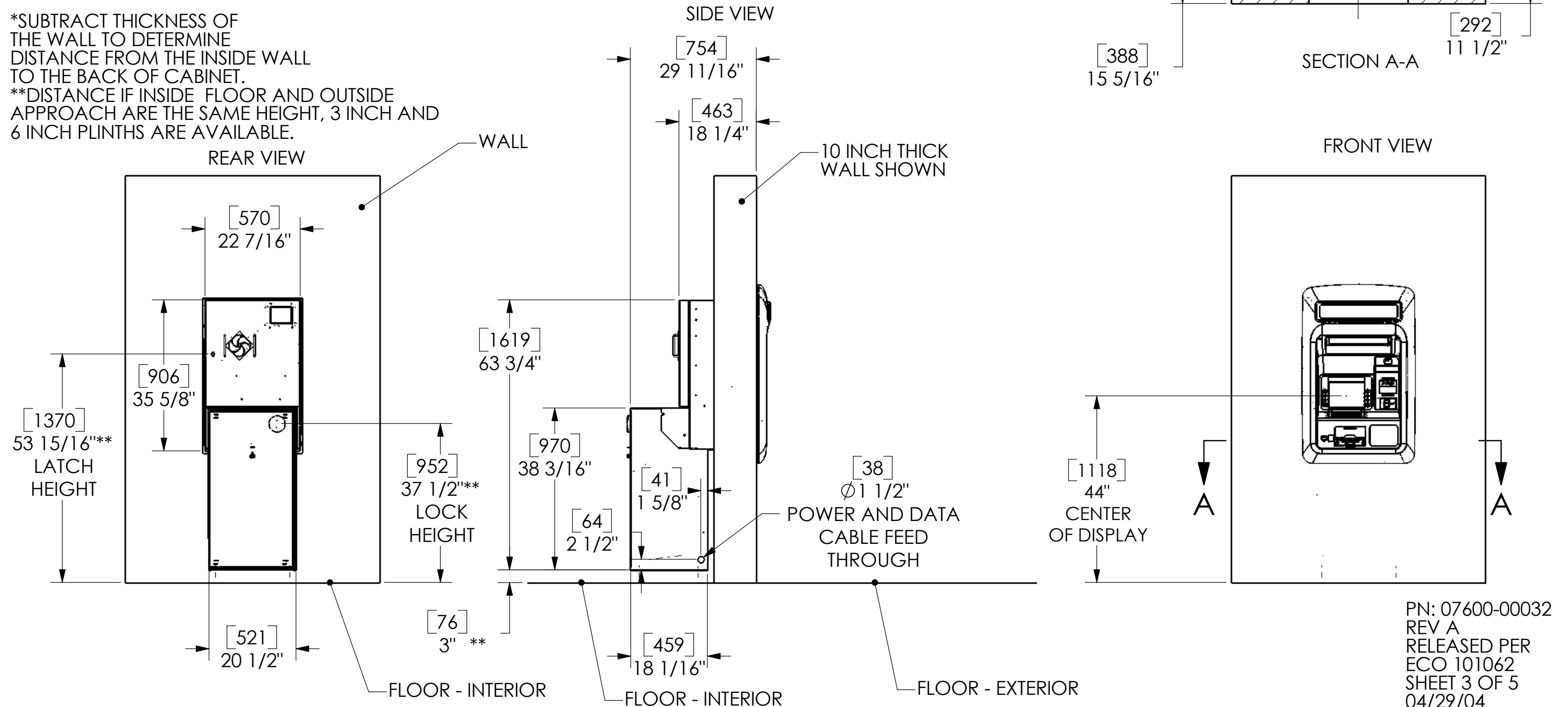




TRITON MODEL RT2000 BUSINESS HOUR CASH DISPENSER DDA INSTALLATION GUIDELINES

522 EAST RAILROAD STREET
LONG BEACH, MS 39560
PHONE: (228) 868-1317
FAX: (228) 868-0437
DIMENSIONS SHOWN IN INCHES
AND MILLIMETERS [MM]
IN
MAXIMUM WALL THICKNESS
11.5 IN. [279 MM]

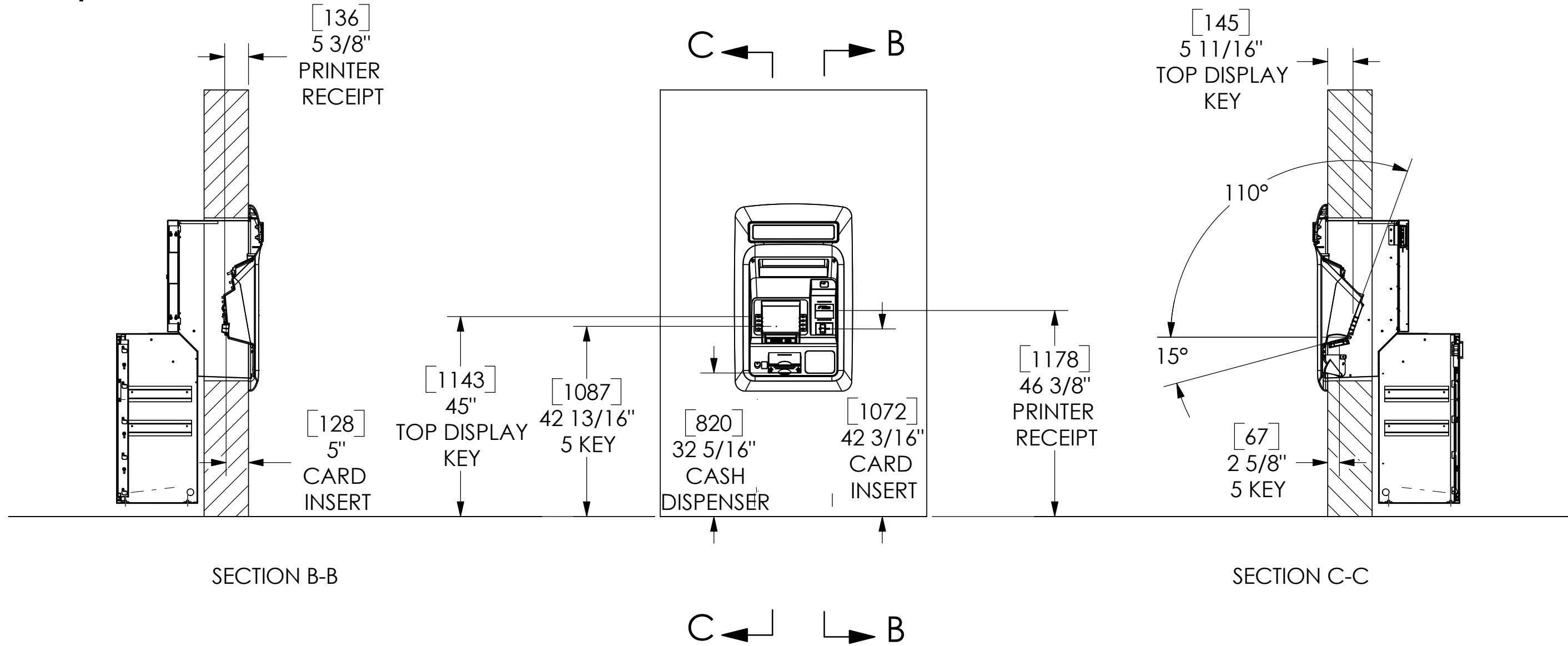
*SUBTRACT THICKNESS OF THE WALL TO DETERMINE DISTANCE FROM THE INSIDE WALL TO THE BACK OF CABINET.
**DISTANCE IF INSIDE FLOOR AND OUTSIDE APPROACH ARE THE SAME HEIGHT, 3 INCH AND 6 INCH PLINTHS ARE AVAILABLE.



TRITON MODEL RT2000 BUSINESS HOURS CASH DISPENSER DDA INSTALLATION GUIDELINES

522 EAST RAILROAD STREET
 LONG BEACH, MS 39560
 PHONE: (228) 868-1317
 FAX: (228) 868-0437

DIMENSIONS SHOWN IN INCHES
 AND MILLIMETERS [MM]
 IN
 MAXIMUM WALL THICKNESS
 11.5 IN. [279 MM]



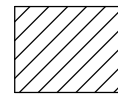


TRITON MODEL RT2000 BUSINESS HOURS CASH DISPENSER DDA INSTALLATION GUIDELINES

522 EAST RAILROAD STREET
LONG BEACH, MS 39560
PHONE: (228) 868-1317
FAX: (228) 868-0437
DIMENSIONS SHOWN IN INCHES AND
MILLIMETERS [MM]
IN

MAXIMUM WALL THICKNESS 11.5 IN. [279 MM]

*SUBTRACT WALL THICKNESS TO FIND DIMENSION
TO THE INSIDE SURFACE OF WALL.



-- INDICATES SERVICE AREA

