



MODEL 8100 ELECTRONIC LOCK FIELD INSTALLATION GUIDE

TDN 07103-00181 NOV 10 2008

CORPORATE HEADQUARTERS:

522 E. Railroad Street
Long Beach, MS 39560
Phone: (228) 868-1317
Fax: (228) 868-0437

COPYRIGHT NOTICE

© 2008 Triton. All Rights Reserved. TRITON logo is a registered trademark of Triton Systems of Delaware.

CONTENTS

PERFORMING THE 8100 ELECTRONIC LOCK INSTALLATION

INTRODUCTION	2
SCOPE	2
REQUIRED PARTS AND TOOLS	3
REMOVAL OF THE MECHANICAL COMBINATION LOCK	4
INSTALLATION OF THE ELECTRONIC LOCK	5
REPLACEMENT OF THE KEY LOCK	8
OPERATING THE ELECTRONIC LOCK (LAGARD)	9

INTRODUCTION

This guide covers the steps for installing an electronic lock assembly on a Model 8100 ATM. This procedure includes a list of all tools and hardware necessary for the installation as well as the steps involved.

The electronic lock runs on a 9-Volt Alkaline Battery (supplied). Should the battery become depleted and emit a constant series of beeps during the opening process, replace the battery immediately. The lock contains a non-volatile memory, and retains all programming, even with the battery removed. Battery replacement should be accomplished at least once annually.

SCOPE

The following procedures apply to all Triton certified service personnel involved in the process of maintaining or converting Triton ATMs.

It involves the removal of the mechanical lock assembly, if installed, and the installation of the electronic lock assembly and mechanical lock latch bar.

The lock latch bar is used to extend the deadbolt from the center of the door to the edge, where it intersects the door latch bracket. The bar is attached to the end of the deadbolt via two (2) drilled and tapped holes. **ENSURE THE ELECTRONIC LOCK SUPPLIED IN THE KIT HAS TWO (2) DRILLED AND TAPPED HOLES IN THE END OF THE DEADBOLT BEFORE PROCEEDING.**

If the cabinet is fitted with a key lock, replace with the T-Handle included in the kit.

If this kit is a replacement for a defective electronic lock, the recommended procedure is to replace all parts, not just those suspected of being non-functional.

Although this procedure is performed with the door OPEN, the latch mechanism should be in the CLOSED position.

READ ALL INSTRUCTIONS BEFORE PROCEEDING WITH THE INSTALLATION.

TOOLS REQUIRED		
#1 and #2 Phillips screwdriver		Flat Tip Screwdriver
Needle Nose Pliers		Adjustable Wrench
7/16" (11 mm) and 9/16" (14 mm) socket/box wrench		
8100 Electronic Lock Kit (P/N 061000-08116)		
PARTS SUPPLIED		
PART NUMBERS	DESCRIPTION	QUANTITY
03624-00014	Lock Electronic with Tapped Deadbolt	1
03011-01122	Mechanical Lock Latch Bar	1
02600-00000	1.020 inch Brass Spindle	1
03011-00778	T-Handle Rotating Cam	1
03071-00031	T-Handle D Mount Latch	1
01300-00003	9 Volt Battery/ Battery Box with Sticky Tape	1
02054-00186	#8-32, 5/8" Phillips Flat Head Machine Screws	2
02054-00175	M4 X 6 Pan Head Screw	2
02309-00042	.795 in. ID x 1.26 in. OD External Tooth Lock Washer	2
03072-00008	6 Inches Nylon Tie Wrap Post, Adhesive Backed White	3
03072-00015	6 Inches TY Wraps	3
02044-00024	Bar Code, Type 2B 2.0" x 0.625" Label	1
07103-00181	Electronic Lock Instructions	1
05200-00399	8100 Electronic Lock Field Installation Guide CD	1

Installation of the Electronic Lock Assembly [Business Hours (BH)] Removal of Mechanical Combination Lock:

REMOVAL OF THE MECHANICAL COMBINATION LOCK IF INSTALLED:

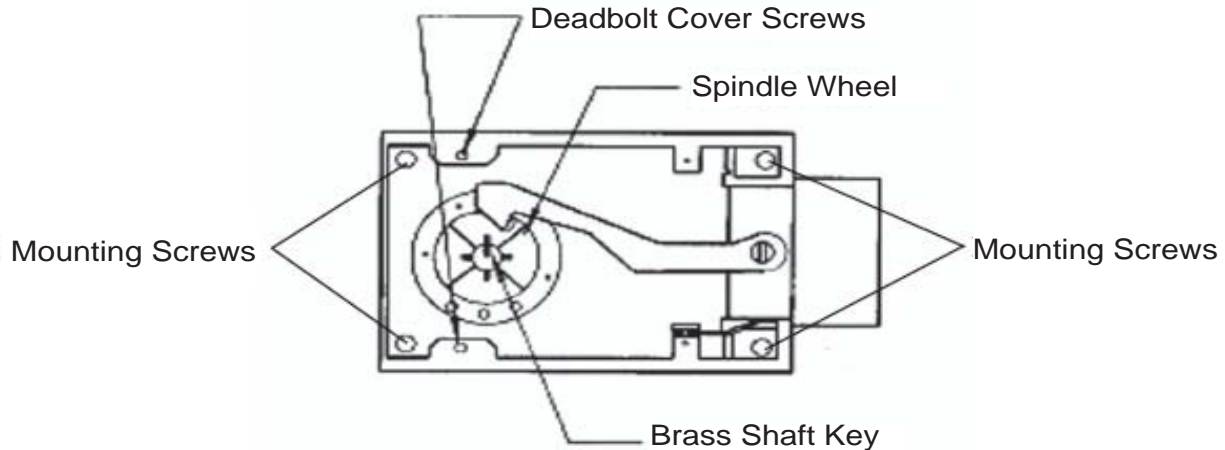
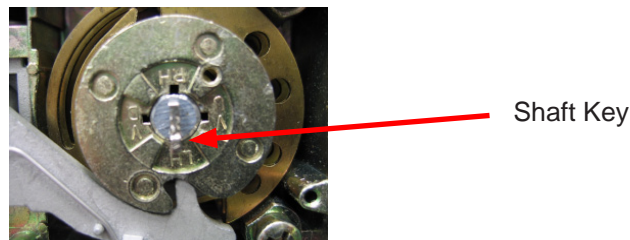


Figure 1. Mechanical lock with cover removed.

1. Perform approved shut down, disconnect power to the unit and open the security container door.
2. (For cabinets with T-Handles) Remove the door panel from the rear of the door by first removing the two large Phillips screws (or 9/16" bolts) located in the center of the door panel and the six (6) #8 Phillips screws located at the top and bottom of the door panel.
3. Remove the two (2) screws which attach the deadbolt cover, if that is your style of lock installed, to the deadbolt and remove the cover.
4. Remove the brass shaft key located in the center of the spindle by pulling directly out on it with a pair of pliers (see Figure 1). Do not break this small key, or it will have to be drilled out.



5. Unscrew the outer combination dial from the black spindle wheel and remove both the dial and the wheel from the lock assembly.
6. Remove the two (2) screws from the end of the deadbolt retaining the latch arm.
7. Remove the three (3) or four (4) mounting screws which attach the deadbolt assembly to the inside of the door and remove the deadbolt assembly.
8. Remove the two screws which attach the dial plate to the front door and remove the dial plate.

INSTALLATION OF THE ELECTRONIC LOCK:

1. Remove the three (3) hole protectors from the middle of the vault door if installed.

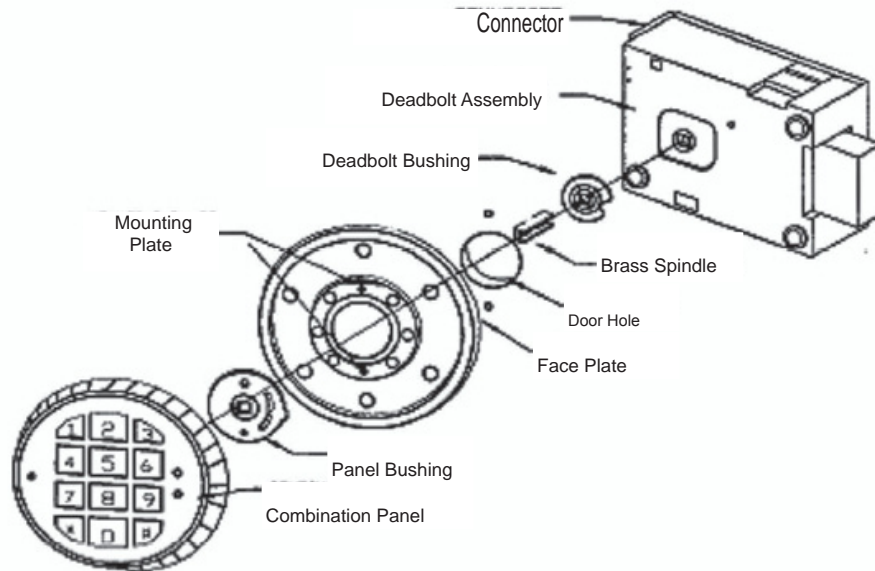
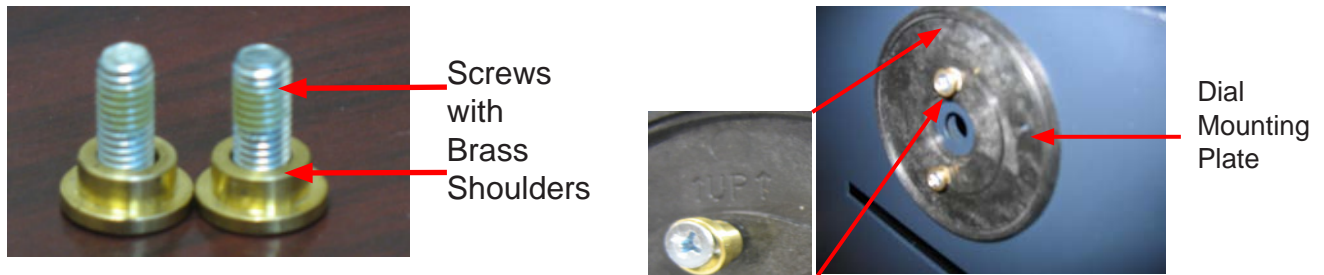
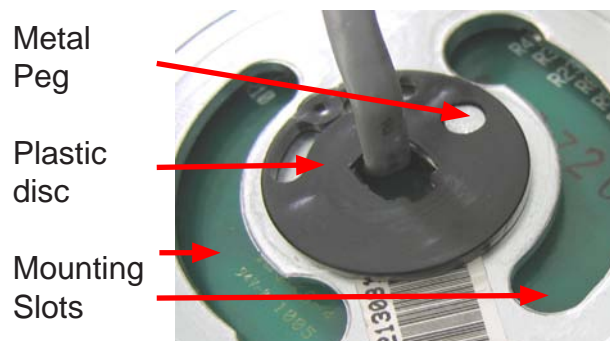


Figure 2. Vertically mounted electronic lock.

2. For all units, attach the dial mounting plate to the outside of the door using the two (2) shoulder screws supplied. Make sure the word "UP" stamped on the front of the dial plate is facing up when the mounting holes are positioned vertically.



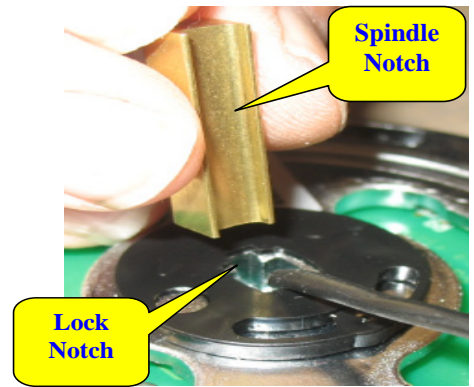
3. Thread the plastic disc over the electronic locks data cable. Ensure the alignment pins mate with the lock panel. Note the mounting slots on the lock





P/N 02600-00000 1.02 in

- The correct sized brass spindle (1.02 in) is supplied with the installation kit.
- Insert the Brass spindle into the back of the electronic lock as shown, (with the notches opposite) be careful not to pinch or cut the data cable.



Place Lock

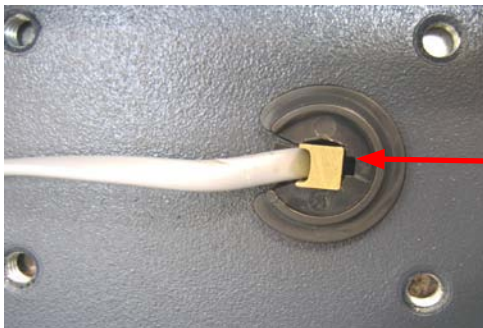


Turn Right



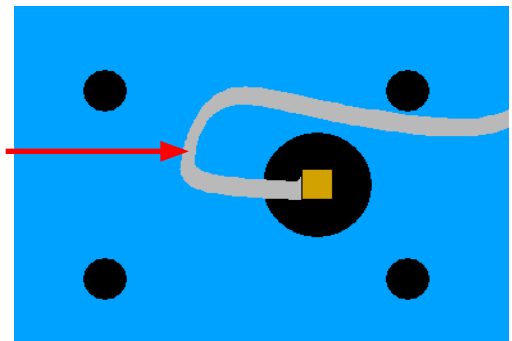
Turn Left to Vertical

- Feed the data cable through the door (center of the lock back plate). The notches in the lock will fit over the brass standoffs. Turn the lock to the right until it “seats” fully onto the backing plate. If the lock will not turn on the standoffs, loosen each 1/4 turn until the lock “seats”. Seating of the lock should be snug but not forced. Turn the lock back to the left until it is vertical.



Plastic Spacer

Cable Routing



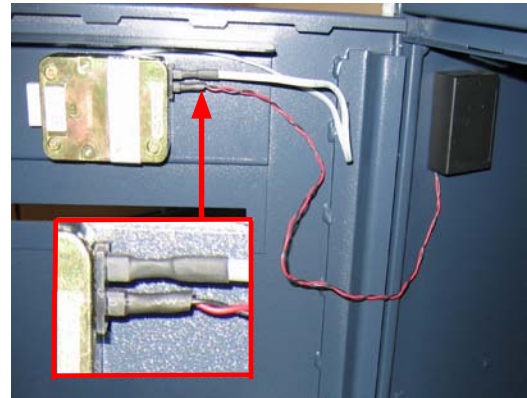
- With the lock face held in place, slide the remaining plastic spacer over the data cable from the back. Ensure the slot in the spacer is aligned with the slot in the spindle (to the left).
- Form a loop in the data cable and route it to the right as shown. Make sure the cable is below the upper right threaded hole and is not pinched by the brass spindle.
- Ensure the lock dead bolt is EXTENDED by pulling on it with your fingers. With the loop in place, put the lock body over the retaining holes on the door. Make sure the cable is not “pinched” by the lock. The Brass spindle slides into the lock body.



10. Secure the lock body with the three (3) brass screws.

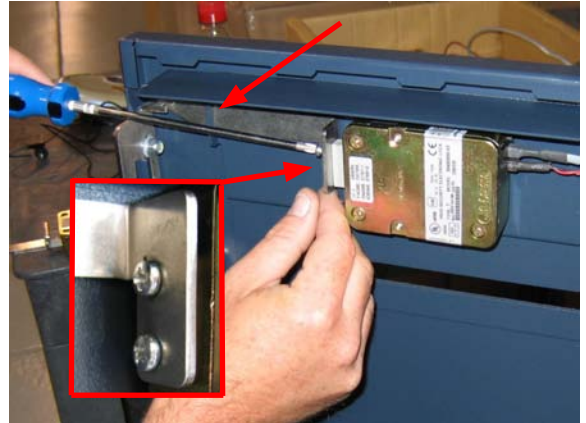


11. Open the battery box and install the battery. Ensure the battery box cover does not pinch the wire when installed. Route the wire through the large hole in the battery box. Clean the side of the cabinet with alcohol. Remove the backing from the sticky tape, and press the battery box firmly to the side of the cabinet. Ensure there is sufficient slack in the battery cable to open the door fully.



12. Connect the data cable to the upper connector, and the battery cable to the lower connector. The locks receptacle is spring loaded. Push for connector installation.

13. Attach the lock latch bar to the end of the deadbolt with two (2) screws supplied. The bar slides through the mount on the door. The doors latch mechanism should be in the closed position, and the dead bolt extended in the locked position. The lock latch bar should intersect the door latch bracket.



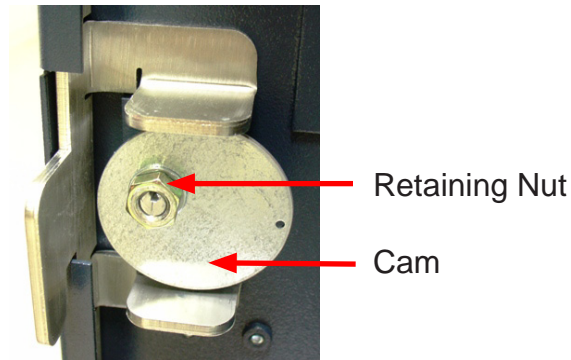
14. Bundle the wires and Ty-wrap as shown. Ensure there is no possibility of the wires becoming pinched in the hinge. Ensure there is enough slack in the battery cable to open the door



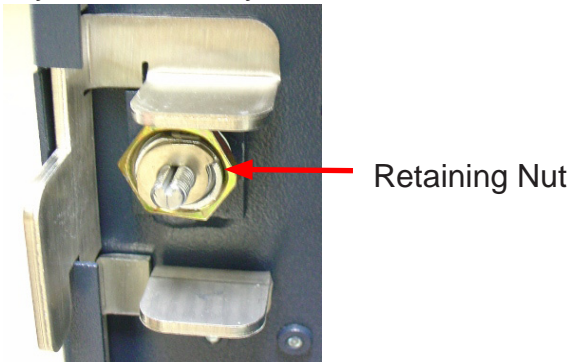
DO NOT CLOSE THE DOOR!!
Place something between the door and the cabinet to ensure the door does not close.

REPLACEMENT OF THE KEY LOCK

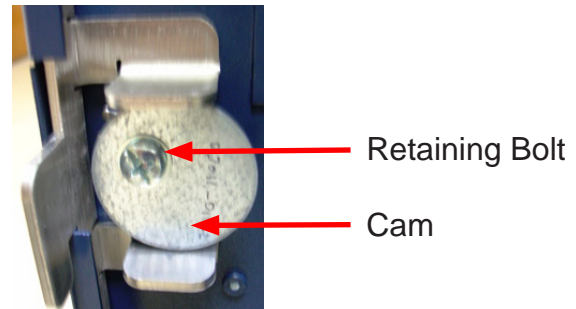
1. Remove the nut retaining the locking cam, and remove the cam.



2. Remove the key lock retaining nut, and the key lock assembly.



1. Place the T handle mechanism into the door from the outside.
2. Secure the T handle with a lock washer and the retaining nut. The T handle should be turned fully to the left. Turn the handle to the right to ensure smooth operation, then back to the left.
3. Position the large silver locking cam on the end of the T handle so that it will engage the door closing mechanism. Note the mounting hole is off center.



4. Secure the cam with the supplied bolt. Turn the T handle slightly to the right to ensure the cam will open the latch mechanism.

INITIAL TESTING OF THE LOCK (DOOR OPEN)

1. Enter the default combination '1-2-3-4-5-6' observe one (1) beep after each digit and two (2) beeps after the last, and turn the combination dial "clockwise" to open the lock. **DO NOT SHUT THE VAULT DOOR !!! Test operation of the T handle.**

WARNING !!!!

MAKE SURE THE ELECTRONIC LOCK WORKS CORRECTLY WITH THE INTENDED COMBINATION BEFORE CLOSING THE VAULT DOOR!!!!

2. Install the latch work cover back onto the door, if supplied.
3. Proceed to the next section to **CHANGE** the combination to the lock. **Do NOT leave the default combination in the lock !!!**

Operating the Electronic Lock (LaGard)

The electronic lock combination consists of six digits. The factory default combination is preset to **1-2-3-4-5-6**.

ENTERING THE COMBINATION

1. With the vault door **OPEN**, enter the factory default combination (**1-2-3-4-5-6**). The lock should beep as each digit is entered (keypress). After the final digit of the preset combination has been entered, the lock should beep twice. The operator will have approximately **4 seconds** to turn the **dial** clockwise (which will retract the deadbolt). If the dial is not rotated within the specified time frame, it will be necessary to re-enter the correct combination before the dial can be turned.
- In normal operation (with the vault door closed), once the correct combination has been entered and the deadbolt is retracted, the vault door may be opened.

LOCKOUT FEATURE

The electronic lock incorporates a '**Wrong Try Penalty**' lockout feature that is intended to prevent entry from unauthorized personnel.

This feature works as follows:

- Four (4) consecutive attempts to enter an invalid combination will start a 5-minute timeout (pre-set delay period before a combination can be entered again).
 - * The LED on the face of the lock will flash red at ten (10) second intervals.
- Following the initial delay period, two (2) more consecutive attempts to enter invalid combinations will start another 5-minute timeout.

CHANGING THE LOCK COMBINATION

With the door **OPEN**:

1. Enter **six (6) zeros '0'**.
2. Enter the current combination (factory default is set to **1-2-3-4-5-6**).
3. Enter the **new** six (6) digit combination **twice**.
 - * If a mistake is made, wait thirty (30) seconds and repeat the first 3 steps.
4. The combination is now changed to the new combination.

*** Test the new lock combination several times before closing the door!!!**

ELECTRONIC LOCK AUDIO RESPONSE SIGNALS (BEEPS)

Valid Code Entry - Double signal (beeps) after valid six (6) digit code is entered.

Invalid Code Entry - Triple signal (beeps). Old code is still valid.

Low Battery Signal - Repetitive beeping when any key is pressed. Replace the battery.