



# ***96XX CASH DISPENSER*** **CABINET INSTALLATION GUIDE**

VERSION 2.0

TDN 07103-00082 08/00

**CORPORATE HEADQUARTERS:**

522 E. Railroad Street  
Long Beach, MS 39560  
PHONE: (228) 868-1317  
FAX: (228) 868-0437

**RMA (RETURN MATERIAL AUTHORIZATION)  
RETURN ADDRESS:**

21405 B Street  
Long Beach, MS 39560

### **COPYRIGHT NOTICE**

Copyright © 2000 Triton Systems, Inc. All rights reserved. No part of this publication may be reproduced, transmitted, transcribed, stored in a retrieval system, or translated into any human or computer language, in any form, by any means whatsoever, without the express written permission of Triton Systems, Inc.

## 96XX CASH DISPENSER CABINET INSTALLATION GUIDE

### PARTS SUPPLIED

4	1/2" x 4 1/4 " Sleeve-Type Anchor Bolts	4	1/2" Flat Washers for Anchor Bolts
8	1/2" Nuts for Anchor Bolts	1	Drilling Template
4	Leveling Feet (for <u>Optional Use</u> with 96XX Business Hours Service Cabinets).		

### REQUIRED TOOLS/EQUIPMENT

1	Torque Wrench, Adjustable to at least 60 Foot-Pounds (or 3/4" Ratchet Wrench).		
1	Center Punch (or equivalent) for marking drilling points.		
1	3/4" Socket (For Tightening Anchor Bolts)	1	Hammer
1	Large Flat Screwdriver	1	Bubble Level
1	3/4" Heavy-Duty (Professional-Grade) Electric Hammer Drill.	1	1/4" and 1/2" Carbide-tipped Masonry Drill Bits - at least 6" long.
1	Safety Goggles	1	Ear Plugs or Ear Muffs (hearing protection)
1	Back-Support Belt	1	Portable Vacuum Cleaner

## UNPACK CASH DISPENSER

### **\*\*IMPORTANT\*\***

The Cash Dispenser is designed for indoor installation only!

- Carefully inspect the unit for any shipping damage and report any damage immediately to the shipping company. Refer to the Warranty Information in the operation or service manual (as applicable) for information about reporting shipping damage.
- Remove the unit from the carton by cutting the straps and removing the top of the box.
- Remove the loose packing material from inside of the box.
- Remove the silver key from the white plastic bag attached to the Cash Dispenser wrapping.

## LEVEL 1 CABINET SAFETY

*Level 1 cabinets are considerably heavier than Business Hours cabinets!* Exercise extreme caution when moving Level 1 cabinets! At least two persons should work together to move the cabinet into position for mounting!

## TOOL USE/SAFETY

Observe ALL safety precautions for operating hand and power tools! Wear eye and ear protection while operating the electric drill!

**USE A BACK-SUPPORT BELT WHEN LIFTING AND MOVING THE CASH DISPENSER!**

## SELECTING THE INSTALLATION LOCATION

Choosing the right location for your Cash Dispenser is very important. Security concerns suggest a location be chosen that is away from any door or external access point. Ideally, the terminal should be mounted as close to a back wall as possible. For marketing reasons, however, it may be desirable to locate the terminal near the front, where your customers can easily locate it. Wherever you decide to locate the terminal, be sure to follow the recommended procedures for both mounting the terminal and for removing cash from it when the unit will be unattended.

5. Stand the unit up and walk it out of the shipping carton.
6. Remove the wrapping from the Cash Dispenser.
7. Use the silver-colored key to unlock both the Control Panel and the Fascia door (which conceals the locking mechanism) on the front of the cabinet. Open the Fascia door.
8. Turn the handle on the locking mechanism to open the front enclosure door. If the door is locked see the sidebar on this page for help in unlocking the combination lock.
9. Remove the accessory kit from inside the bottom enclosure; open and inspect the contents. Check the contents against the enclosed packing list. Report any missing parts to Triton Systems immediately.

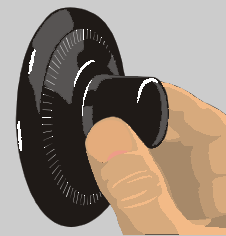
### MARK/DRILL MOUNTING HOLES

#### CONCRETE STRENGTH

The floor at the installation location should consist of commercial-grade concrete, measuring at least **2000 psi** in compression strength. ***The full effectiveness of the mounting anchors depends upon meeting this specification!*** Check with the contractor/builder or owner of the installation to verify that this requirement can be satisfied.

#### LEVEL FLOORING REQUIREMENT

**It is very important that the Cash Dispenser cabinet be located on flat, level flooring! If the floor is not flat and level the cabinet bottom and/or walls may become distorted when the mounting bolts are tightened down! This could prevent the security vault door from closing!**



### UNLOCKING COMBINATION LOCKS

**MECHANICAL LOCK.** There are two marks on the dial ring. The index mark at the top of the dial is used for opening the lock. A revolution is counted each time the selected number is aligned with the opening index.

Locks are shipped on a factory setting of '50'. To unlock, turn the dial to the left (counterclockwise) **FOUR** turns, stopping on '50'. Then, turn the dial to the right (clockwise) until the bolt is retracted.

**ELECTRONIC LOCK.** Upon arrival, the combination of the lock should already be preset to 1-2-3-4-5-6. To unlock, enter the preset combination and check for proper operation. After each keypress, the lock will beep. After the final digit has been entered, the lock will beep twice, and the open period will begin. When a valid combination has been entered, the operator will have approximately 3 seconds to open the lock. To open the lock, turn the dial clockwise. After the lock is opened, the door latch may be turned and the safe opened.

Mark the location of the cabinet mounting holes on the concrete floor. This can be accomplished in two ways, as described below:

- 1a. Preferred Method.** Place the included mounting hole drilling template on the floor in the designated location and tape it into position. ***Be certain there are no physical obstructions that could prevent the cabinet from being installed in this location, or otherwise limit access to the unit!***

Use a center punch tool (or equivalent) to mark the center of each mounting hole, as indicated on the template. Remove the template.

- 1b. Alternative Method (Business Hours Units).** Move the Cash Dispenser to the location where it will be installed.

Open the cabinet door at least 90 degrees to improve access. Locate the four anchor-bolt holes (cutouts) in the bottom of the cabinet. Use a felt-tip pen or other marker to carefully mark the center of each of these four holes on the floor; these marks will serve as guides for the anchor bolt holes that will be drilled in the next step.

Move the Cash Dispenser aside, to provide clear access to the mounting hole marks.

- 2.** Use a 1/4-inch diameter carbide-tipped masonry bit to drill four pilot holes at the drilling points marked in the previous step. Drill the pilot holes approximately 1/2-inch deep into the floor. These holes will help guide the half-inch masonry bit that will be used to drill the anchor-bolt holes in the next step.
- 3.** Use a 1/2-inch diameter carbide-tipped masonry bit to drill four holes at least 2 3/4-inches deep into the floor. Be sure to take into account the depth of any floor covering, such as tile or vinyl when gauging the depth of the anchor holes. ***Make sure the holes are drilled at least 2 3/4-inches into the concrete floor.***

## **\*\*IMPORTANT\*\***

Use a pencil or measuring rod to check the depth of each hole; the depth of each hole must be at least 2 3/4-inches before continuing!

- 4.** Use a portable vacuum cleaner to remove any dust or debris that may have fallen into the holes during the drilling process.

## **LEVELING FEET**

The leveling feet included in the cabinet installation kit are for optional use with the **Business Hours Service** cabinet.

If leveling feet are used the cabinet bottom may experience warping or bending when the mounting bolts are tightened down! This may prevent the cabinet door from closing cleanly!

Follow these steps to install and adjust the leveling feet:

- 1.** Screw the leveling feet **completely** into the four threaded bosses in the base of the cabinet. If necessary, lay the cabinet on its side to access the bosses.
- 2.** Once the cabinet is in the final mounting position use a screwdriver to adjust the leveling bolts. ***DO NOT extend the feet any further than necessary to level the cabinet!*** Use a bubble level, if available, to verify the cabinet is level.
- 3.** After the mounting bolts have been tightened, ensure the cabinet door can close without binding. ***It may be necessary to adjust the tightening of the mounting bolts to enable the door to close without binding.***

**BOLT CASH DISPENSER TO FLOOR**

1. Move the Cash Dispenser into position for mounting by aligning the base over the four holes drilled in the previous procedure.
2. Place an anchor bolt through the cabinet base and into one of the mounting holes. Use a hammer to tap the bolt completely into the hole.

**IMPORTANT: If the anchor bolt “falls” into the hole without needing to be tapped in, the hole is too large! The mounting-hole pattern will have to be moved and re-drilled using smaller holes, as necessary to achieve a snug fit.**

3. Place a flat washer on the anchor bolt, followed by a 3/8” nut.
4. Repeat Steps 2 and 3 for the remaining anchor bolts.
5. Use a torque wrench and 3/8” socket to tighten each nut to a torque setting of **60 foot-pounds (required to establish the maximum pull-out strength of the anchors)**. If a torque wrench is not available, use a ratchet wrench and 3/8” socket to tighten the nuts **three full turns beyond hand tight**.
6. Once all anchor bolts are tightened, close the door of the cabinet to ensure that the door opens and closes without binding.

**If the door does bind it may be necessary to re-locate the cabinet to an area with a flat, level floor!**

**If a Business Hours cabinet was installed with leveling feet, the feet may have caused the warping of the cabinet bottom under pressure of the mounting bolts.**

7. Once the nuts are tightened as specified in Step 5 and the door operates without binding as verified in Step 6, **install a second nut on each bolt and tighten down firmly.**
8. The physical installation of the Cash Dispenser cabinet is complete.

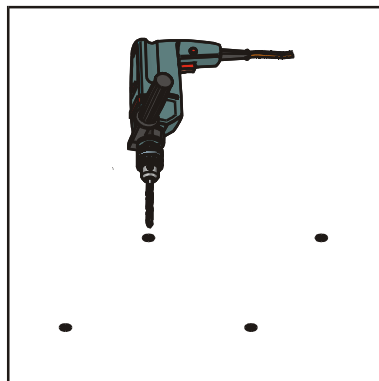


Fig. 1. Drilling Mounting Holes.

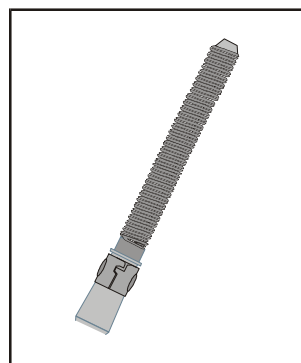


Fig. 2. “Sleeve”-type Anchor Bolt.

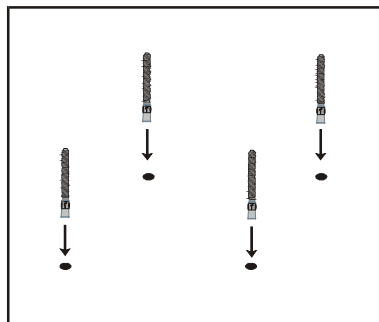


Fig. 3. Place Anchor Bolts in Mounting Holes.

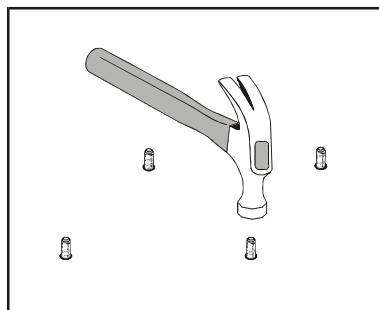


Fig. 4. Tap Anchor Bolts into Mounting Holes.

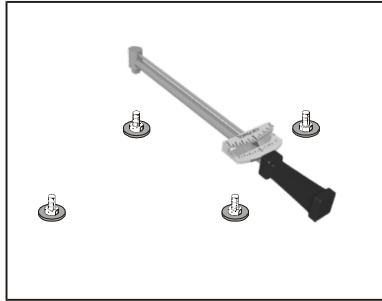


Fig. 5. Tighten Bolts with Torque Wrench.

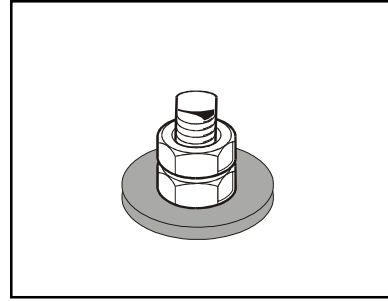


Fig. 6. Second Nut Installed.

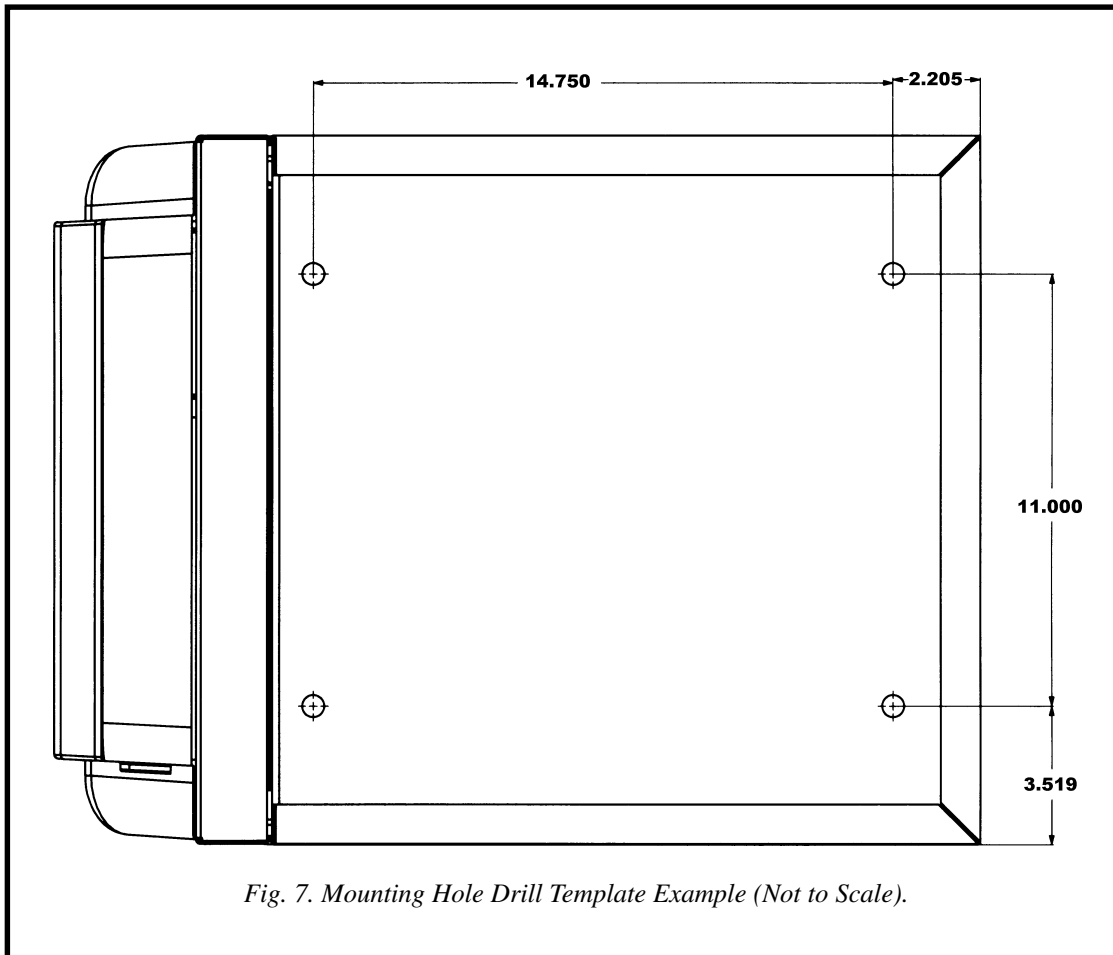


Fig. 7. Mounting Hole Drill Template Example (Not to Scale).