



***ANTI-STATIC BRUSH FIELD UPGRADE (NMD-50)***  
**(MODEL RL5000 X-SCALE ATM)**

**TDN 07100-00067 11/2006**

**CORPORATE HEADQUARTERS:**

522 E. Railroad Street  
Long Beach, MS 39560  
Phone: (228) 868-1317  
Fax: (228) 868-0437

**RMA (RETURN MATERIAL AUTHORIZATION)  
RETURN ADDRESS:**

21405 Avenue "B"  
Long Beach, MS 39560

**COPYRIGHT NOTICE**

© 2006 Delaware Capital Formation, Inc. All Rights Reserved. Triton Systems of Delaware Inc. is an operating company of Dover Electronics, Inc., a subsidiary of Dover Corporation (NYSE-DOV). DOVER, the DOVER logo and the Dover family of marks and TRITON, the TRITON logo and the Triton family of marks are registered trademarks of Delaware Capital Formation, Inc., a wholly owned subsidiary of Dover Corporation.

## ANTI-STATIC BRUSH UPGRADE (NMD-50 DISENSING MECHANISM)

### PURPOSE

This guide covers the steps for installing Anti-static brush hardware for an NMD-50 dispensing mechanism. Replacement of the bill tray assembly is also required. This procedure includes a list of all tools and hardware necessary for the conversion as well as the steps involved. The purpose of the kit is to eliminate static build-up in cold and dry environments. The result is better bill stacking in the bill tray.

### SCOPE

This procedure applies to all service personnel involved in the process of maintaining or converting Triton ATMs.

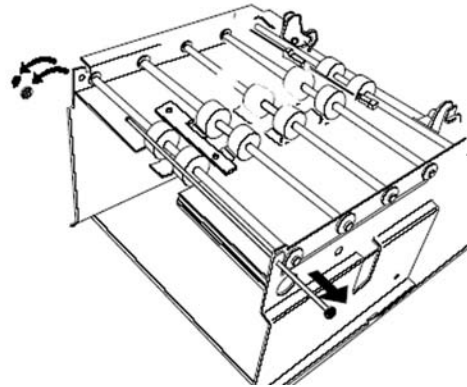
### REQUIRED PARTS AND TOOLS

TOOLS REQUIRED		
T-10 Torx 7/16" (11mm) Socket/Ratchet (w/extension)		
<b>ANTI-STATIC BRUSH UPGRADE KITS (NMD-50)</b> Business Hours Cabinet - P/N 06200-07050 Level 1 (Safe) Cabinet - P/N 06200-07000		
PARTS SUPPLIED		
PART NUMBER	DESCRIPTION	QUANTITY
04008-00040	Anti-Static Brush Kit (NMD-50) Kit contents: Brush (1), Bracket (1), Screw (4), Washer (4)	1
<sup>1</sup> 03011-01468	Bill Tray Chute (Top)	1
<sup>2</sup> 03011-01343	Bill Tray Chute (Top)	1
<sup>2</sup> 03011-01360	Bill Tray Chute (Bottom)	1
07100-00067	Installation Guide	1
<sup>1</sup> Included in upgrade kit 06200-07050 <sup>2</sup> Included in upgrade kit 06200-07000		

**INSTALLING THE ANTI-STATIC BRUSH KIT**



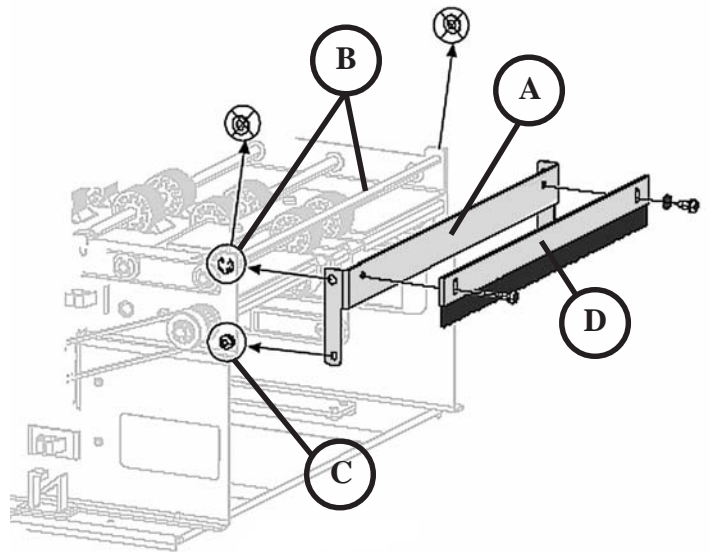
① **Extend mechanism out fully.**



④ **Slide shaft out.**



② **Release side clips and remove cover.**



⑤ **Install Anti-static kit.**

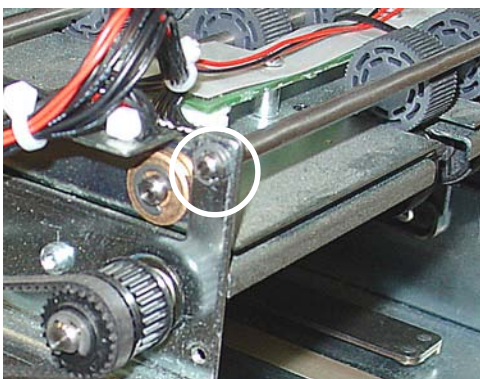
**A. Install brush bracket - Bracket mounts on outside of Note Transport sides.**

**B. Reinstall shaft - Shaft slides through holes in bracket. Secure with C-clip.**

**C. Secure lower legs of bracket with screws/washers.**

**D. Align brush to front of bracket and secure with screws/washers.**

**E. Reinstall cover**

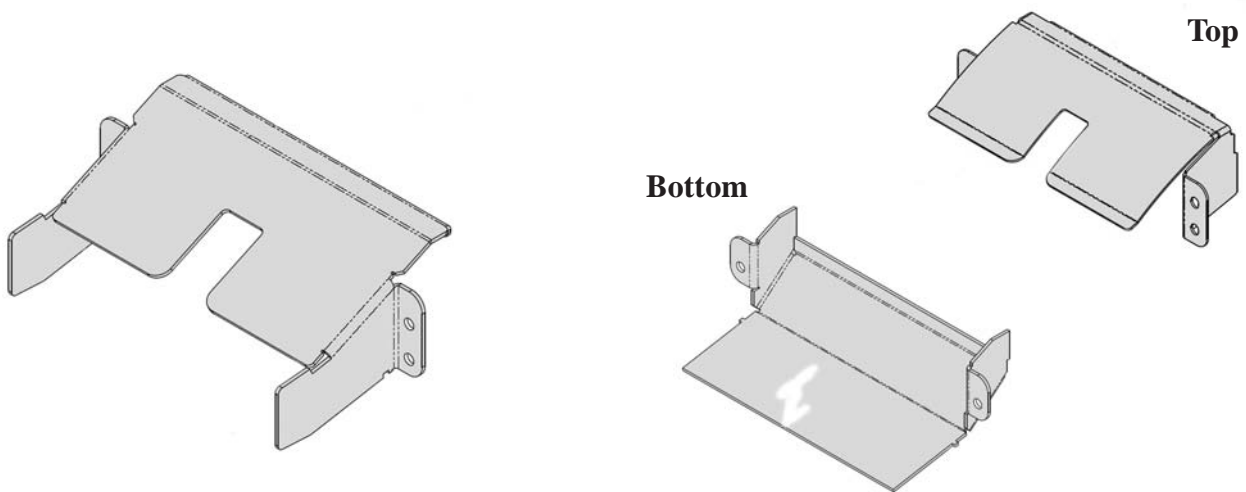


③ **Remove one (1) C-clip from the hinge shaft.**

## INSTALLING THE BILL TRAY



**Bill chute assemblies are installed/secured from the inside of door.**



### **BUSINESS HOURS CABINET**

**Cabinet door - Remove existing *TOP* bill tray chute and replace with chute provided.**

### **LEVEL 1 (SAFE) CABINET**

**Cabinet door - Remove existing bill tray chute assemblies (*Top/Bottom*) and replace with chutes provided.**