



VAULT DOOR SENSOR INSTALLATION

(MODEL RL5000 X-SCALE)

TDN 07102-00002 May 23 2008

CORPORATE HEADQUARTERS:

522 E. Railroad Street
Long Beach, MS 39560
Phone: (228) 868-1317
Fax: (228) 868-0437

RMA (RETURN MATERIAL AUTHORIZATION)

RETURN ADDRESS:

21405 Avenue "B"
Long Beach, MS 39560

COPYRIGHT NOTICE

© 2005 Delaware Capital Formation, Inc. All Rights Reserved. TRITON, TRITON WHERE MONEY COMES FROM, TRITON WAVES, DOVER and the DOVER logo are registered trademarks of Delaware Capital Formation, Inc., a wholly-owned subsidiary of Dover Corporation.

DOOR SENSOR INSTALLATION

PURPOSE

This guide covers the steps for installing a door sensor in the Model RL5000 X-Scan™. This procedure includes a list of all tools and hardware necessary for the upgrade as well as the steps involved.

Kits are only available for the following cabinet designs:

- **Business Hours units manufactured after serial number LRL5115042991411**
- **Level 1 (Safe) units manufactured after serial number LRL5125042941423**

SCOPE

This procedure applies to all service personnel involved in the process of maintaining or converting Triton ATMs.

BUSINESS HOURS UPGRADE KIT

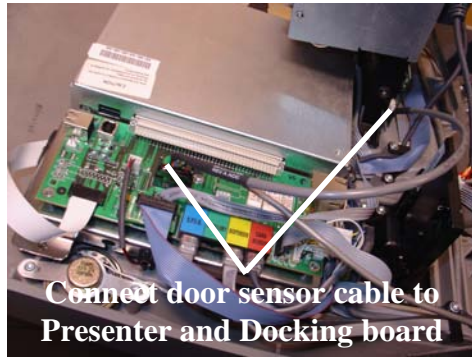
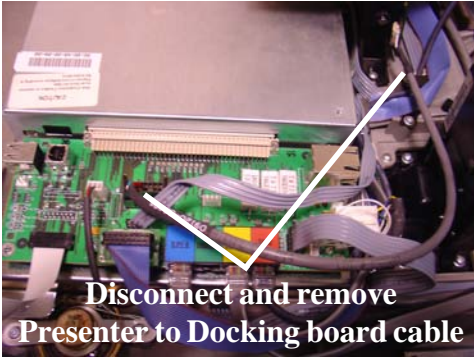
TOOLS REQUIRED		
Phillips Screwdriver	Diagonal Cutters	
DOOR SENSOR UPGRADE KIT (RL5000) BUSINESS HOURS (P/N 06200-06048)		
PARTS SUPPLIED		
PART NUMBER	DESCRIPTION	QUANTITY
09120-00709	Cable, Safety Switch	1
01050-00030	Switch, Plunger Type, Snap-In	1
03011-00772	Bracket, Cabinet Sensor	1
02054-00111	Screw, #8-32, 1/2" Countersunk Phillips Head	2
02072-00002	Clip, Wire Harness	2
02031-00004	Nut, #8-32, Hex Nut w/Ext. Tooth Washer	1
02054-00048	Screw, #8-32, 3/8" Truss Phillips Head	1
03072-00015	Ty Wrap	5
07102-00002	Vault Door Sensor Installation (RL5000)	1
-----	Supported Software	1

LEVEL 1 (SAFE) UPGRADE KIT

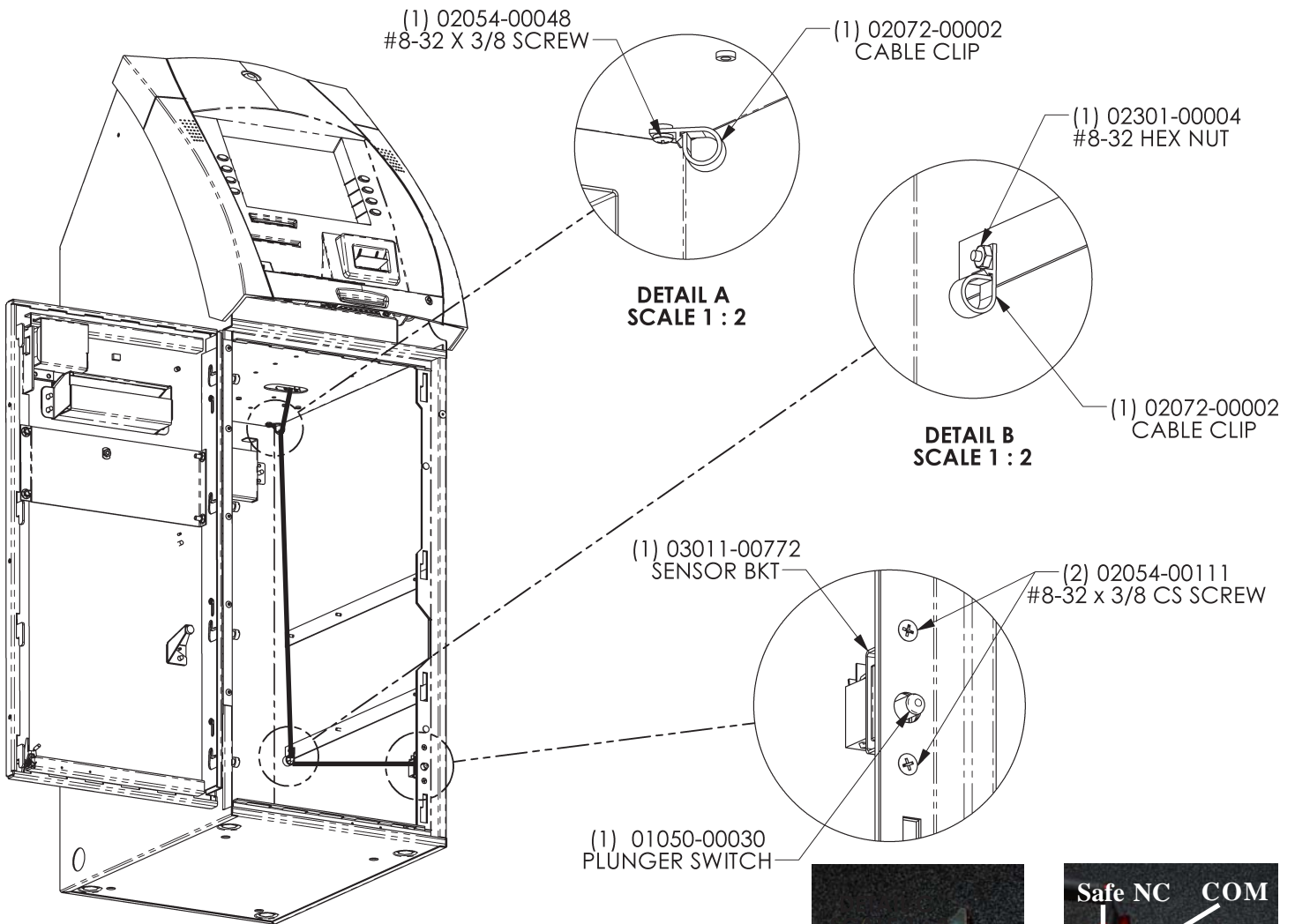
TOOLS REQUIRED		
Phillips Screwdriver	Diagonal Cutters	
DOOR SENSOR UPGRADE KIT (RL5000) LEVEL 1 - VAULT (P/N 06200-00197)		
PARTS SUPPLIED		
PART NUMBER	DESCRIPTION	QUANTITY
09120-00709	Cable, Safety Switch	1
01050-00030	Switch, Plunger Type, Snap-In	1
03011-00944	Bracket, Cabinet Sensor (Vault)	1
02054-00051	Screw, #8-32, 5/16" Pan Phillips Head w/Cone Washer	2
03072-00015	Ty Wrap	5
07102-00002	Vault Door Sensor Installation (RL5000)	1
-----	Supported Software	1

BUSINESS HOURS CABINET

Docking Board/Printer Presenter Connections/Cable Routing

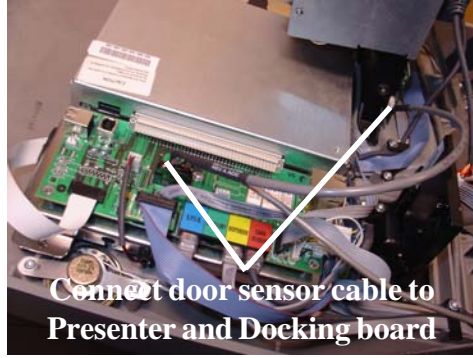
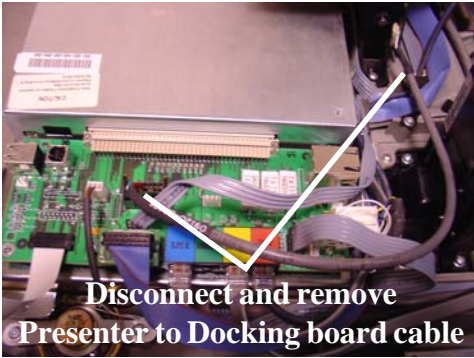


RL5000 BUSINESS HOURS CABINET DOOR SENSOR

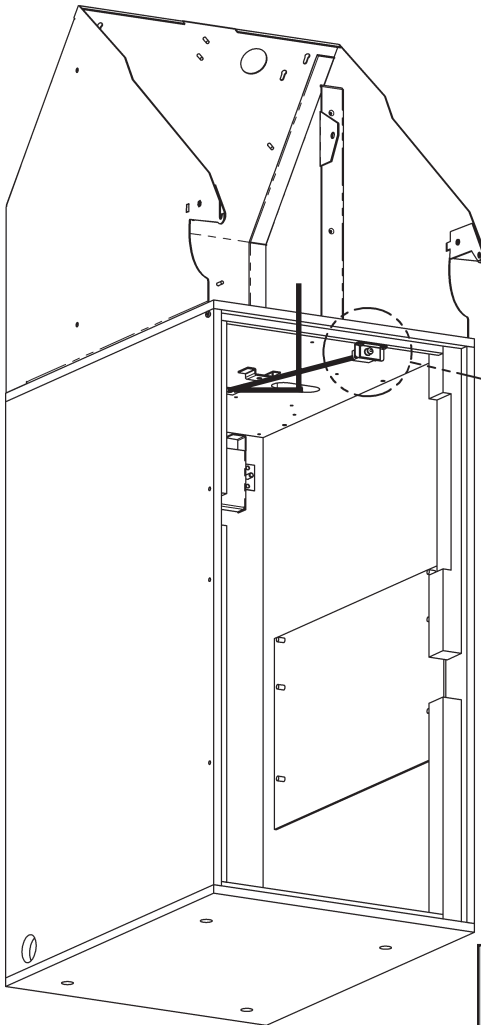


LEVEL 1 (SAFE) CABINET

Docking Board/Printer Presenter Connections/Cable Routing

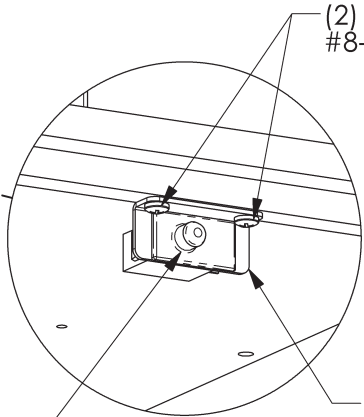


RL5000 LEVEL 1 VAULT DOOR SENSOR



Ty wrap excess cable length where applicable

(1) 01050-00030
PLUNGER SWITCH



(2) 02054-00051
#8-32 X 5/16 SCREWS

(1) 03011-00944
VAULT DOOR SENSOR BKT

DETAIL A
SCALE 1 : 2

CONNECTIVITY TO DOOR SWITCH
The cable connections for the vault plunger switch are the same as the business hours. See previous page/illustrations for cable connectivity.

*** CHANGE PAGE ***

➤ **PAGE 2 (UNDER “PURPOSE”): IN FIRST SENTENCE ADD “AND X2” AFTER “MODEL RL5000 X-SCALE....”.**

➤ **PAGE 2: DELETE “BUSINESS HOURS UPGRADE KIT” LINE AND THE TABLE BELOW IT. REPLACE WITH “RL5000 X-SCALE UPGRADE KIT” AND TABLE SHOWN AT RIGHT.**

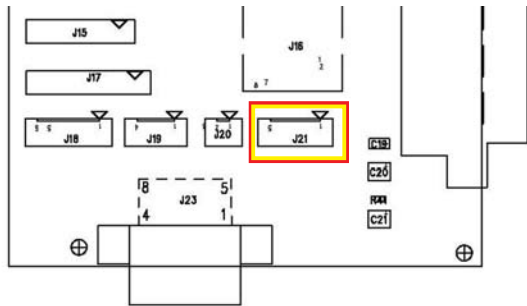
TOOLS REQUIRED		
Phillips Screwdriver	Diagonal Cutters	
RL5000 DOOR SENSOR UPGRADE KIT (X-SCALE) P/N 06200-08159		
PARTS SUPPLIED		
PART NUMBER	DESCRIPTION	QUANTITY
09120-00709	Cable, Safety Switch	1
01050-00030	Switch, Plunger Type, Snap-In	1
03011-52116	Bracket, Cabinet Sensor (Business Hrs)	1
02054-00181	Screw, 1/2" Countersunk Phillips Head (Bus.Hrs)	2
03011-52117	Bracket, Cabinet Sensor (Lvl 1 -Vault)	1
02054-00170	Screw, 5/16" Phillips Head w/washer (Vault)	2
03072-00038	Cable Clip, Round screw-in, Quick release	2
02301-00024	Nut, #8-32, w/Ext. Tooth Washer	1
02054-00168	Screw, #8-32, 3/8" Truss Phillips Head	1
03072-00015	Ty Wrap	5
07102-00002	Vault Door Sensor Installation Guide	1
	"Change" Page	1

➤ **PAGE 2: DELETE “LEVEL 1 (SAFE) UPGRADE KIT” LINE AND THE TABLE BELOW IT. REPLACE WITH “RL5000 X2 UPGRADE KIT” AND TABLE SHOWN AT RIGHT.**

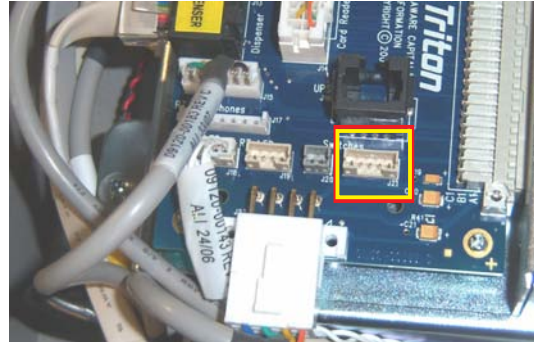
TOOLS REQUIRED		
Phillips Screwdriver	Diagonal Cutters	
RL5000 DOOR SENSOR UPGRADE KIT (X2) P/N 06200-08160		
PARTS SUPPLIED		
PART NUMBER	DESCRIPTION	QUANTITY
09120-07076	Cable, Safety Switch	1
01050-00030	Switch, Plunger Type, Snap-In	1
03011-52116	Bracket, Cabinet Sensor (Business Hrs)	1
02054-00181	Screw, 1/2" Countersunk Phillips Head (Bus.Hrs)	2
03011-52117	Bracket, Cabinet Sensor (Lvl 1 -Vault)	1
02054-00170	Screw, 5/16" Phillips Head w/washer (Vault)	2
03072-00038	Cable Clip, Round screw-in, Quick release	2
02301-00024	Nut, #8-32, w/Ext. Tooth Washer	1
02054-00168	Screw, #8-32, 3/8" Truss Phillips Head	1
03072-00002	Clip, Snap-in, Plastic	2
03072-00015	Ty Wrap	5
07102-00002	Vault Door Sensor Installation Guide	1
	"Change" Page	1

TDN 07102-00002

- **PAGE 3 AND 4: MOST P/Ns IN DRAWING(S) HAVE CHANGED. REFERENCE TABLES ON FRONT PAGE OF THIS “CHANGE” PAGE. ALSO, PICTURES SHOW CONNECTIVITY FOR “X-SCALE” UNITS/ CABINETS -THIS IS STILL CORRECT.**
- **PAGE 3 AND 4: ADD PICTURES BELOW TO SHOW CONNECTIVITY FOR “X2” EQUIPPED UNITS. NOTE: Connectivity to the Door plunger switch remain the same.**



X2 Docking Board Reference



Connect door sensor cable (P/N 09120-07076) to X2 Docking board (J21)

- **PAGE 3: PLUNGER/BACKET MOUNT THE SAME SHOWN FOR X-SCALE AND X2 EQUIPPED UNITS FOR BUSINESS HOURS CABINET.**
- **PAGE 4: PLUNGER/BACKET MOUNTS THE SAME SHOWN FOR “X-SCALE” EQUIPPED LVL 1 CABINETS. FOR “X2” EQUIPPED LVL 1 CABINETS, PLUNGER/BACKET/CABLE ROUTING MOUNT AS SHOWN IN FIGURE BELOW.**

